



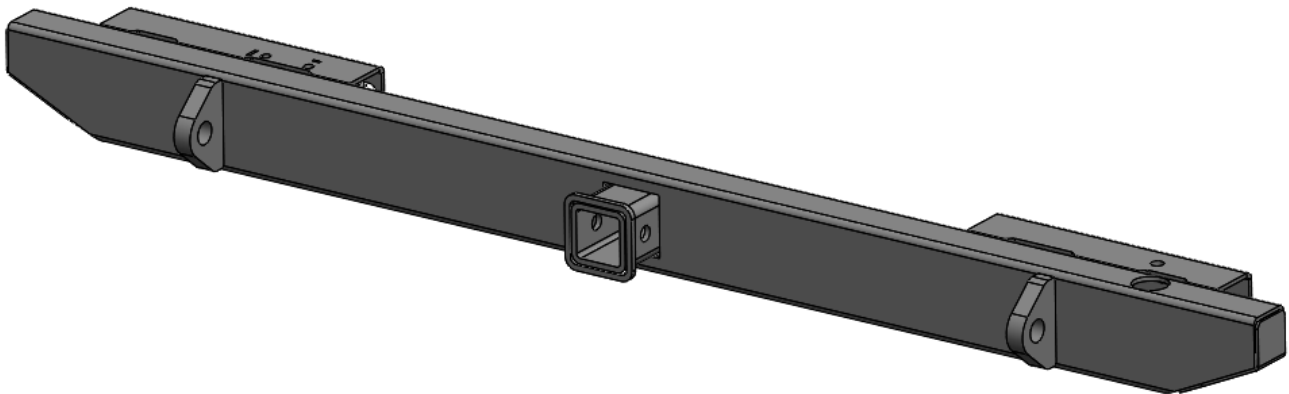
CJ EXPEDITION SERIES



JEEP CJ EXPEDITION REAR  
BUMPER

**WEB LINK:** <http://lodoffroad.com/assets/pdfs/JRB7620 CJ EXPEDITION REAR BUMPER.pdf>

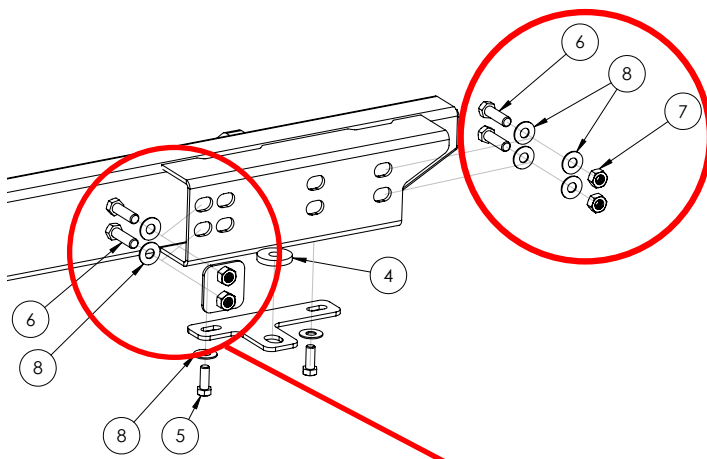
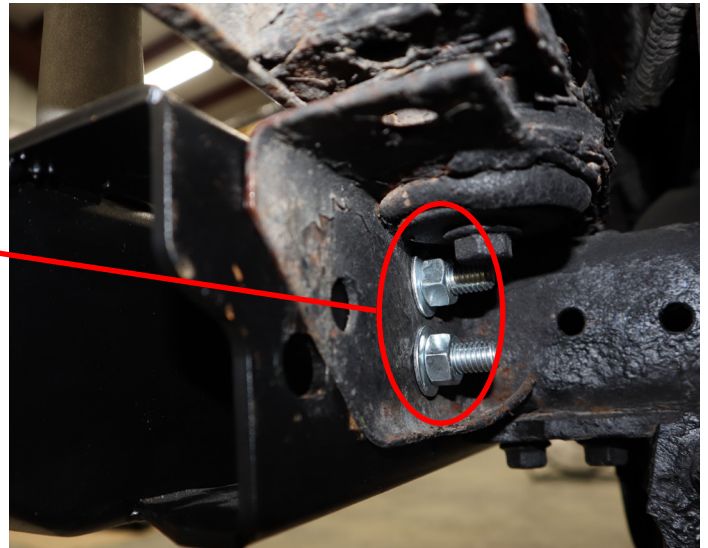
**\*VERIFY YOU HAVE ALL THE COMPONENTS BEFORE STARTING THE INSTALLATION. REFER TO THE ENGINEERING DRAWINGS AT THE END OF THIS DOCUMENT FOR A COMPLETE PARTS LIST\***



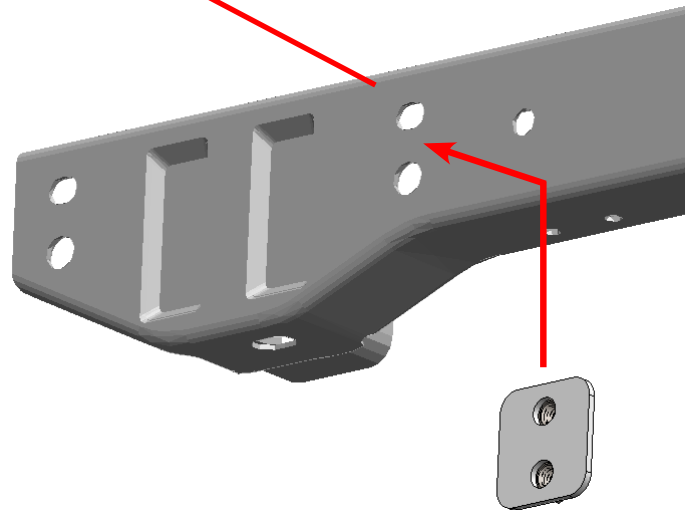
Start by removing your rear bumper. Use a floor jack or a helper to help hold your new rear bumper up to the rear cross member.



Install the 7/16" Hex Bolts, Nuts and Washers into the two outside mounting holes first. Leave these slightly loose while you finish the bumper installation



Install the 7/16" Hex Bolts, Washers and Frame Backing Plate as shown into the second set of holes in the rear Cross Member. You may need to lower the gas tank skid plate to access these holes to be able to insert the Frame Backing Plate behind the Cross Member. Leave these bolts loose while you finish the bumper installation.



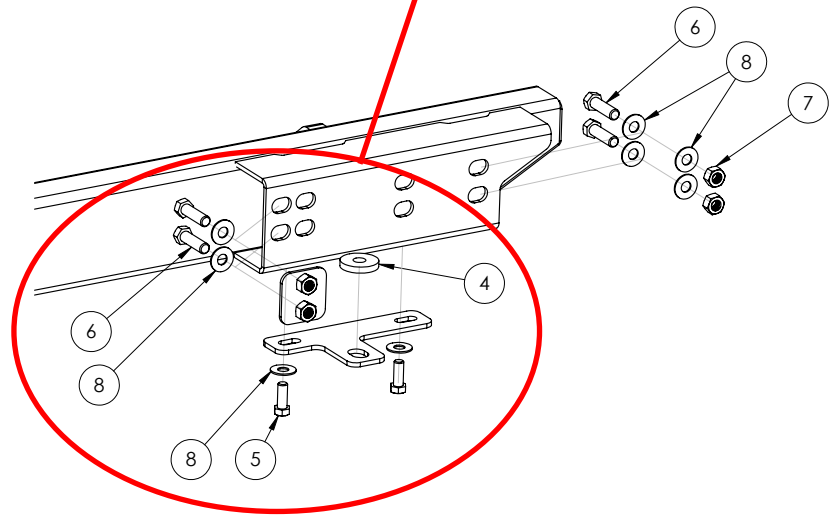
Install the Bottom Bracket as shown using 3/8" Hex Bolt and washers into the bumper. You will need to use the existing leaf spring mounting bolt to install the bracket to the frame.

Use the supplied 1/4" thick Spacer Washer to fill the gap if needed.

If the threads are no longer usable after you remove this bolt, you may need to drill and tap this hole to the next larger size.



Once all the bolts are installed, make sure the bumper is centered on the Jeep and level side to side. Tighten all the mounting bolts securely. Once the bumper is secure reinstall the gas tank skid plate if you removed it previously.



## **\*\*Maintenance\*\***

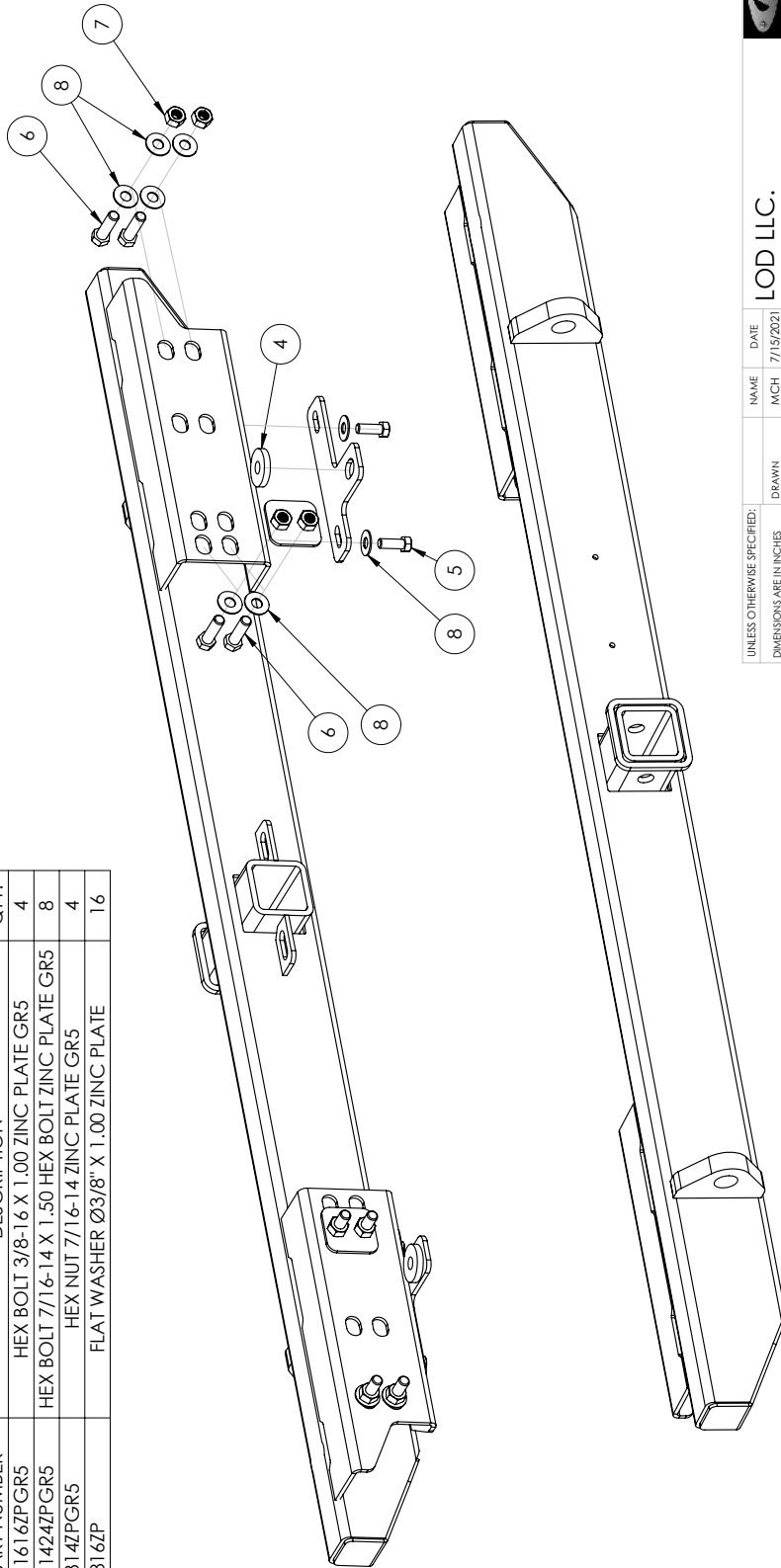
### **Rear Bumper:**

- Periodically check and re-tighten all fasteners.
- 
- Periodically check your Bumper for scratches, dings, or rust spots which can happen over time or after heavy use. It is important to address these areas as soon as possible to prevent rust and corrosion from spreading. We recommend using Rustoleum® brand Black Semi-Gloss Protective Enamel (oil based). Apply using a foam brush by dabbing to match the powder coat texture.



ITEM NO.	PART NUMBER	DESCRIPTION	QTY.
1	4JRB9620-01	EXPEDITION REAR BUMPER	1
2	4JBC9620-01	FRAME BACKING PLATE	2
3	2JBC7620-09	CJ EXPEDITION BOTTOM BRACKET	2
4	2JWP1800-01	SPACER WASHER	2

<b>BOLT KIT</b>			
ITEM NO.	PART NUMBER	DESCRIPTION	QTY.
5	HB381616ZPGR5	HEX BOLT 3/8-16 X 1.00 ZINC PLATE GR5	4
6	HB431424ZPGR5	HEX BOLT 7/16-14 X 1.50 HEX BOLT ZINC PLATE GR5	8
7	HN4314ZPGR5	HEX NUT 7/16-14 ZINC PLATE GR5	4
8	FW3816ZP	FLAT WASHER Ø3/8" X 1.00 ZINC PLATE	16



UNLESS OTHERWISE SPECIFIED:		NAME	DATE
DIMENSIONS ARE IN INCHES	DRAWN	MCH	7/15/2021
ANGULAR TOLERANCES UNLESS OTHERWISE SPECIFIED:	CHECKED		
TWO PLACE DECIMAL ±0.015	ENG APPR.		
THREE PLACE DECIMAL ±0.005	MFG APPR.		
<b>PROPRIETARY AND CONFIDENTIAL</b>			
THIS DRAWING IS THE SOLE PROPERTY OF LOD LLC. ANY REPRODUCTION OR TRANSMISSION OF THIS DRAWING WITHOUT THE WRITTEN PERMISSION OF LOD LLC IS PROHIBITED.			
FINISH:		MATERIAL:	
SEE NOTES		N/A	
DWG. NO. JRB7620		REV A	
JRB7621		SCALE: 1:4.5	
SHEET SIZE: B		SHEET 1 OF 1	

- NOTES:**
- JRB7620 - BARE STEEL OPTION  
JRB7621 - BLACK POWDER COAT
  - WEIGHT = APPROX 49 LBS



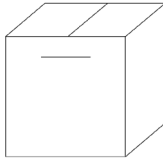
**CJ Jeep**  
EXPEDITION Series  
REAR BUMPER  
SHIPPING SHEET

Sheet 1  
Packaged by:

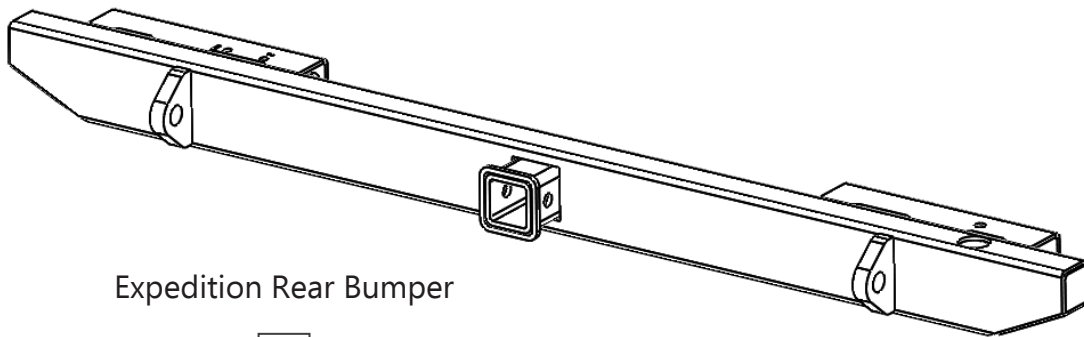
\_\_\_\_\_

On:

\_\_\_\_\_



Hardware Kit  
(contents  
may vary)



Expedition Rear Bumper



**CJ Jeep**  
EXPEDITION Series  
REAR BUMPER  
Hardware Kit  
Sheet 1

Packaged by:

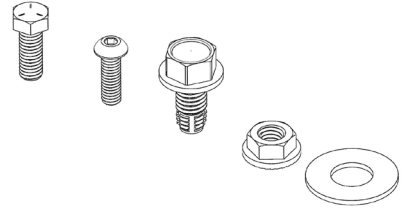
\_\_\_\_\_

On:

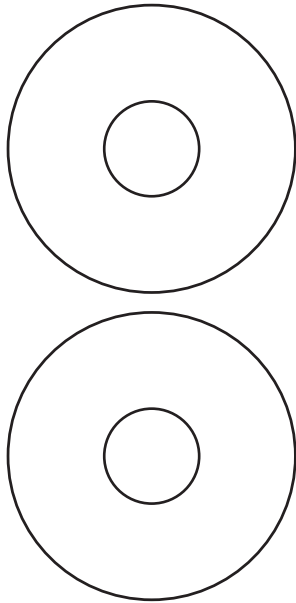
\_\_\_\_\_



INSTRUCTION  
SHEET

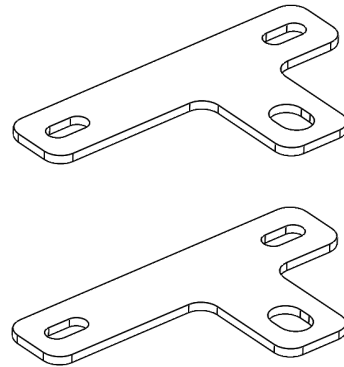


BOLT KIT  
(may vary)



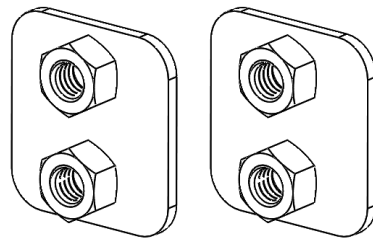
SPACER WASHER  
2JWP1800-01

**(x2)**



CJ EXP BOTTOM BRACKET  
2JBC7620-09

**(x2)**



FRAME BACKING PLATE  
4JBC9620-01

**(x2)**

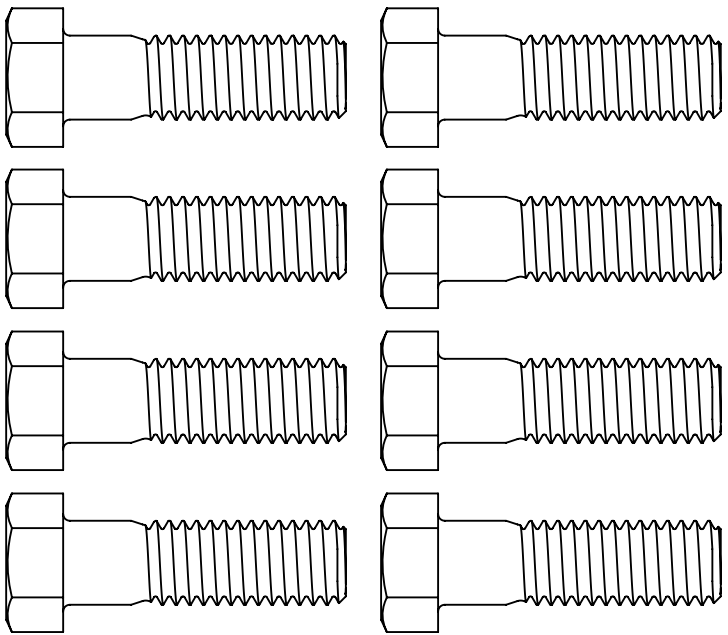




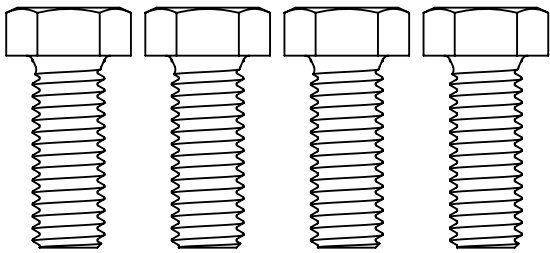
**CJ Jeep**  
EXPEDITION Series  
REAR BUMPER

Bolt Kit  
Packaged by:

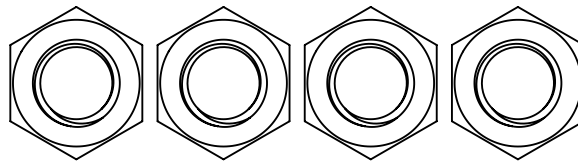
On:  
\_\_\_\_\_



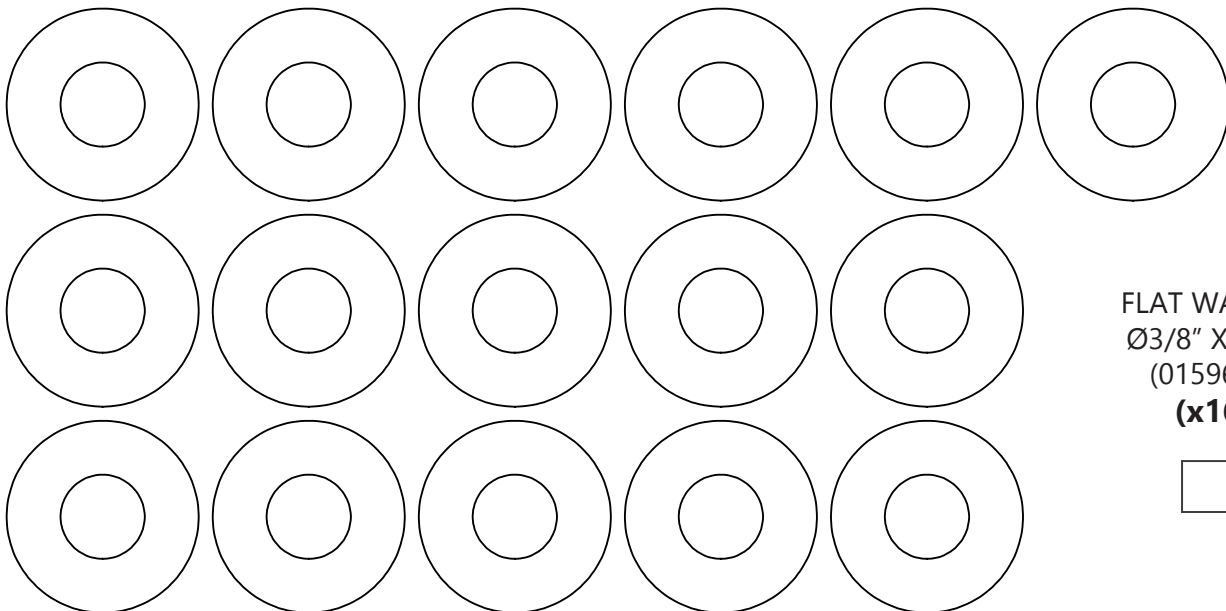
HEX BOLT 7/16-14 X 1.50"  
(110120363)   
**(x8)**



HEX BOLT 3/8-16 X 1.00"  
(0137514)   
**(x4)**



HEX NUT 7/16-14  
(36308)   
**(x4)**



FLAT WASHER  
Ø3/8" X 1.00"  
(0159679)   
**(x16)**