



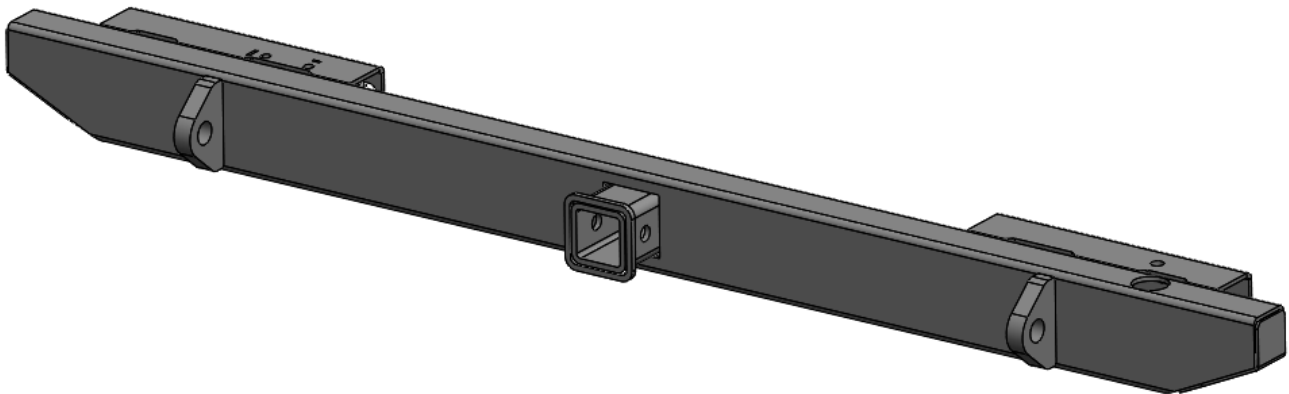
EXPEDITION SERIES



JEEP YJ/TJ/LJ EXPEDITION  
REAR BUMPER

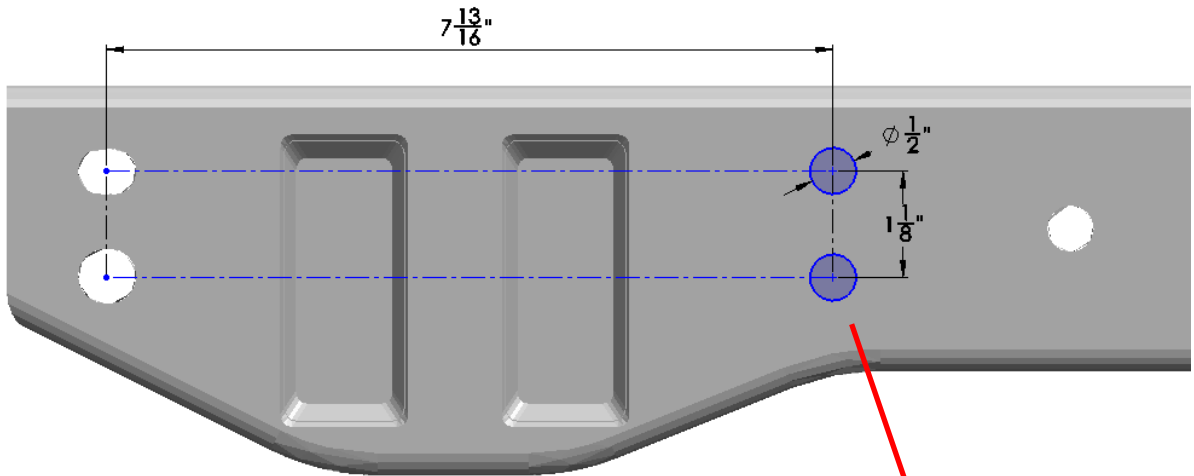
**WEB LINK:** <http://lodoffroad.com/assets/pdfs/JRB9620 YJ TJ LJ EXPEDITION REAR BUMPER.pdf>

**\*VERIFY YOU HAVE ALL THE COMPONENTS BEFORE STARTING THE INSTALLATION. REFER TO THE ENGINEERING DRAWINGS AT THE END OF THIS DOCUMENT FOR A COMPLETE PARTS LIST\***



Start by removing your rear bumper. You will need to drill two mounting holes on each side in the rear cross member. This step is only needed on 1998 and newer TJ's. Earlier TJ's and YJ's already have these holes in place.

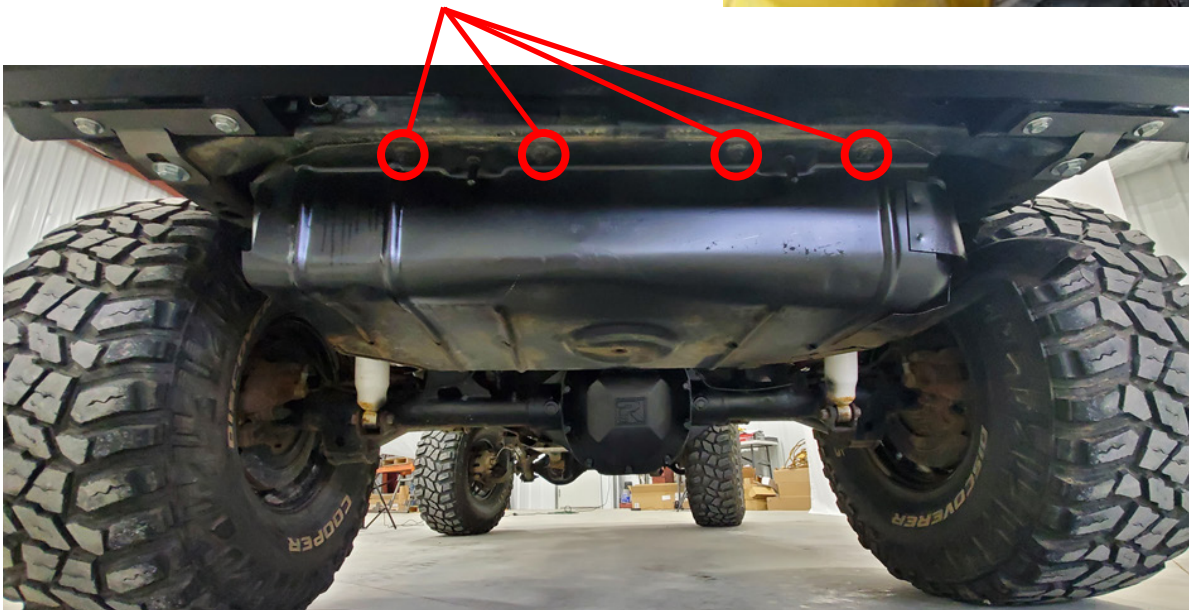
Follow the diagram shown for drilling 1/2" diameter mounting holes 7-13/16" from the outside mounting holes.



To improve your drilling accuracy it is a good idea to start small bit and get progressively larger or use a step drill. Be careful when you punch thru as to not hit the gas tank behind the cross member.



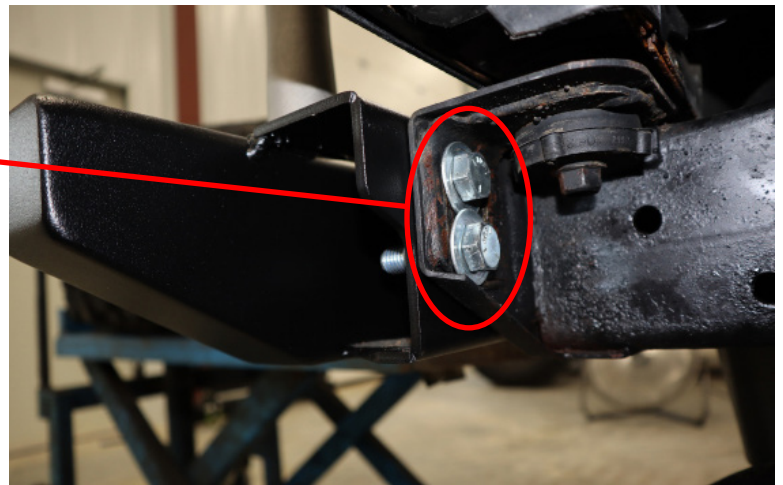
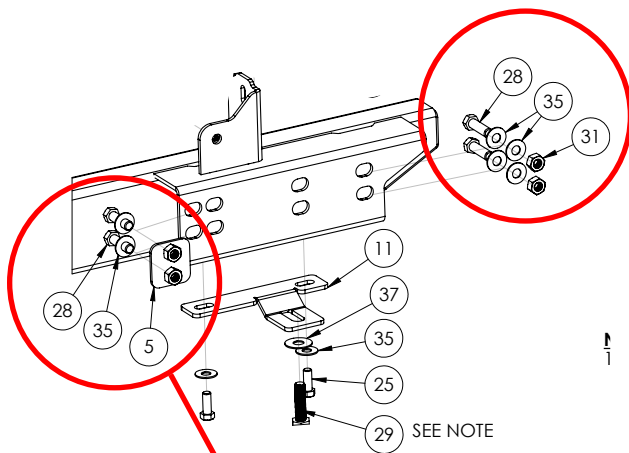
Next lower the gas tank skid plate by removing the 4 screws shown below. This will allow the skid plate to drop a few inches to gain access behind the rear cross member.



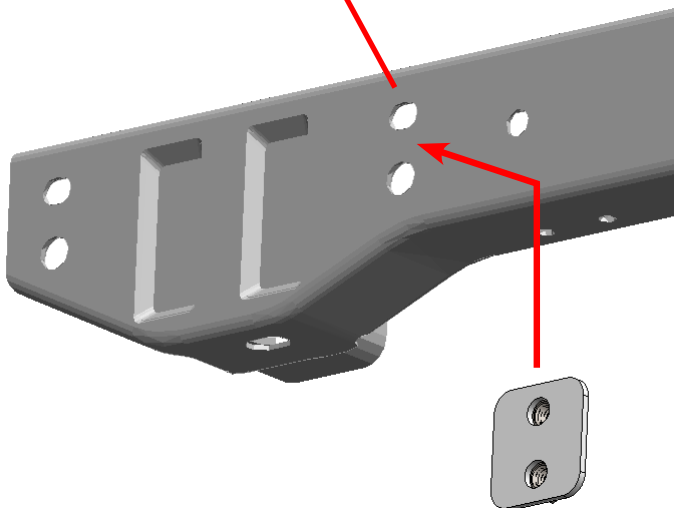
Use a floor jack or a helper to hold the rear bumper up to the rear cross member.



Install the 7/16" Hex Bolts, Nuts and Washers into the two outside mounting holes first. Leave these slightly loose while you finish the bumper installation



Install the 7/16" Hex Bolts, Washers and Frame Backing Plate as shown into the holes that you drilled into the rear Cross Member. With the gas tank skid plate lowered as shown, you will be able to insert the Frame Backing Plate behind the Cross Member. Leave these bolts loose while you finish the bumper installation.

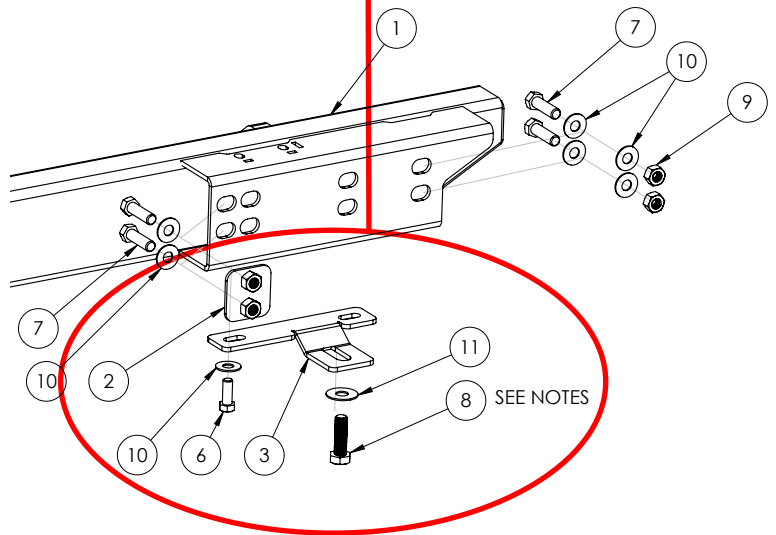


Install the Bottom Bracket as shown using 3/8" Hex Bolt and washers into the bumper, and the supplied metric M12 Hex bolt into the frame.

\*\*Note some older Jeeps may have a different threaded nut in frame. Be sure to check the thread before tightening. Do not force the bolt into the thread if you are not sure.\*\*



Once all the bolts are installed, make sure the bumper is centered on the Jeep and level side to side. Tighten all the mounting bolts securely. Once the bumper is secure reinstall the gas tank skid plate.



## **\*\*Maintenance\*\***

### **Rear Bumper:**

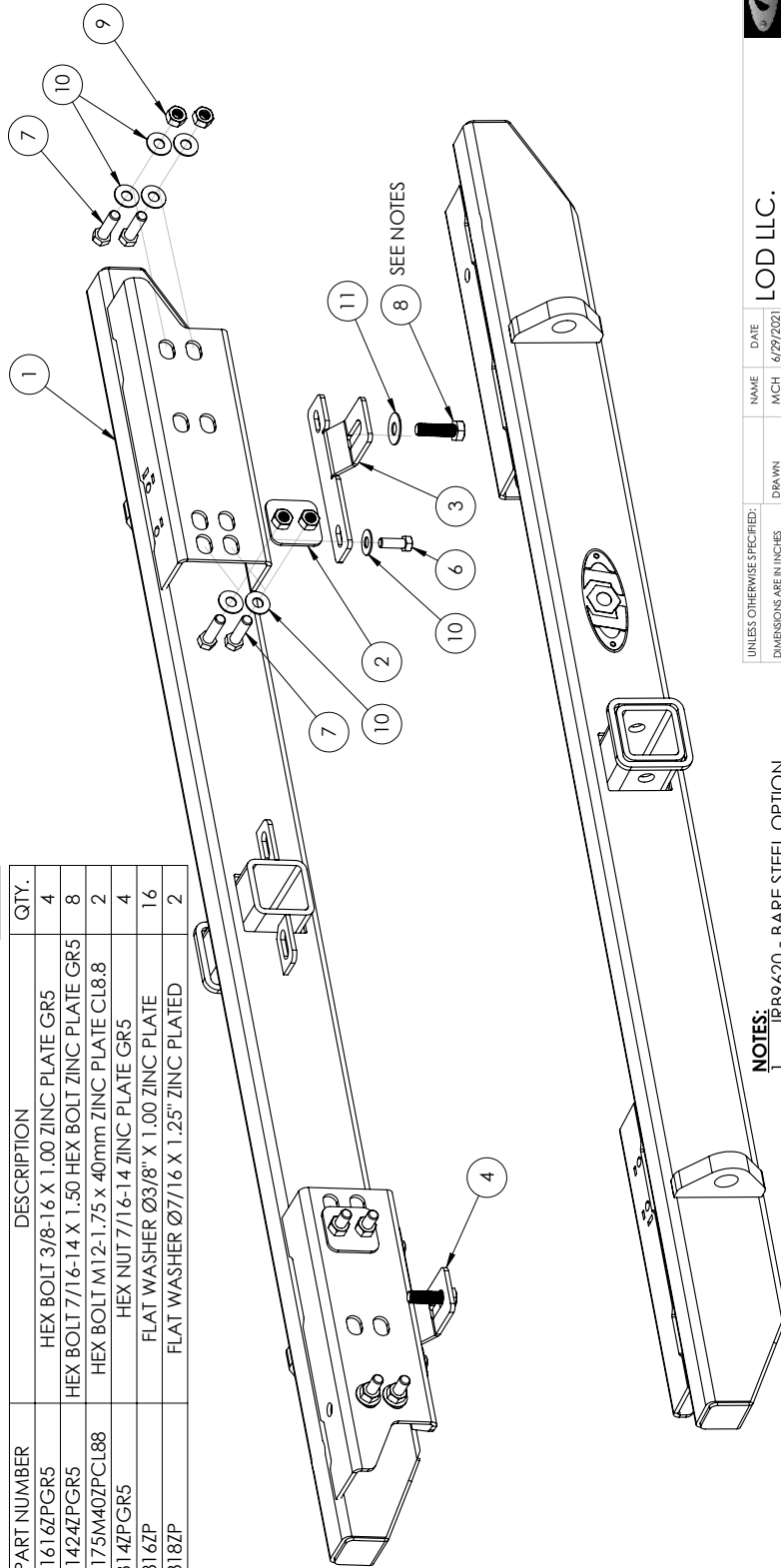
- Periodically check and re-tighten all fasteners.
- Periodically check your Bumper for scratches, dings, or rust spots which can happen over time or after heavy use. It is important to address these areas as soon as possible to prevent rust and corrosion from spreading. We recommend using Rustoleum® brand Black Semi-Gloss Protective Enamel (oil based). Apply using a foam brush by dabbing to match the powder coat texture.





ITEM NO.	PART NUMBER	DESCRIPTION	QTY.
1	4JRB9620-01	EXPEDITION REAR BUMPER	1
2	4JBC9620-01	FRAME BACKING PLATE	2
3	2JBC9620-09	EXPEDITION BOTTOM BRACKET - L	1
4	2JBC9620-10	EXPEDITION BOTTOM BRACKET - R	1
5	LOGO1001	DESTROYER LOGO - EMBOSSED	1

BOLT KIT			
ITEM NO.	PART NUMBER	DESCRIPTION	QTY.
6	HB381616ZPGR5	HEX BOLT 3/8-16 X 1.00 ZINC PLATE GR5	4
7	HB431424ZPGR5	HEX BOLT 7/16-14 X 1.50 HEX BOLT ZINC PLATE GR5	8
8	HB12175M40ZPCL88	HEX BOLT M12-1.75 x 40mm ZINC PLATE CL8.8	2
9	HN4314ZPGR5	HEX NUT 7/16-14 ZINC PLATE GR5	4
10	FW3816ZP	FLAT WASHER Ø3/8" X 1.00 ZINC PLATE	16
11	FW4318ZP	FLAT WASHER Ø7/16 X 1.25" ZINC PLATED	2



- NOTES:**
- JRB9620 - BARE STEEL OPTION
  - JRB9621 - BLACK POWDER COAT
  - WEIGHT = APPROX 49 LBS
  - SOME OLDER JEEPS MAY USE A DIFFERENT THREADED BOLT IN THIS POSITION. BE SURE TO DOUBLE CHECK THIS THREAD BEFORE TIGHTENING THIS BOLT.

UNLESS OTHERWISE SPECIFIED:		NAME	DATE
DIMENSIONS ARE IN INCHES		MCH	6/29/2021
ANGULAR: MACH 1°	CHECKED		
TWO PLACE DECIMAL	ENG APPR.		
THREE PLACE DECIMAL	MFG APPR.		
<b>PROPRIETARY AND CONFIDENTIAL</b> THE INFORMATION CONTAINED IN THIS DRAWING IS THE SOLE PROPERTY OF LOD LLC. ANY REPRODUCTION OR TRANSMISSION OF THIS DRAWING WITHOUT THE WRITTEN PERMISSION OF LOD LLC IS PROHIBITED.			
LOD LLC.		DESCRIPTION:	
		JEEP YJ/TJ/LJ EXPEDITION REAR BUMPER	
DWG. NO.	JRB9620	REV	A
	JRB9621		
SCALE: 1:4.5	SHEET SIZE: B	SHEET 1 OF 1	

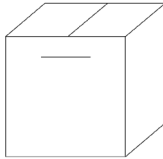


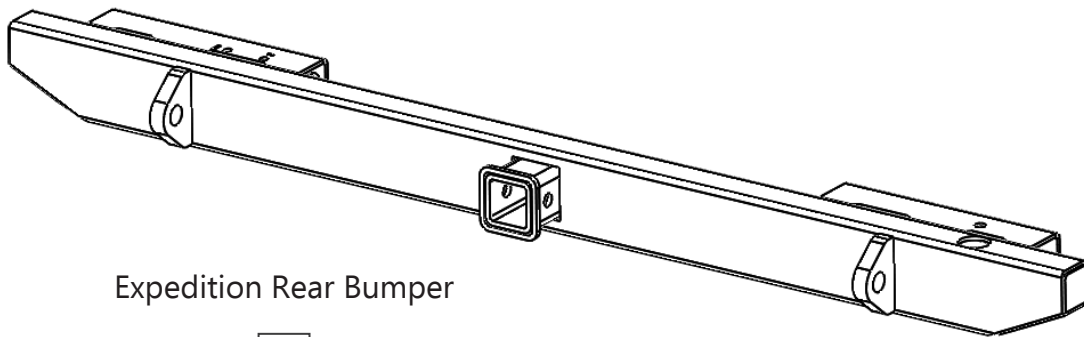
**YJ/TJ/LJ Jeep**  
EXPEDITION Series  
REAR BUMPER  
SHIPPING SHEET

Sheet 1

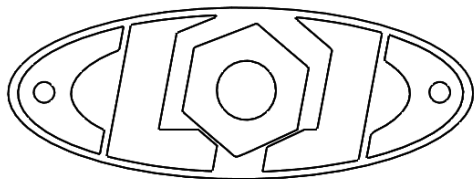
Packaged by:

\_\_\_\_\_  
On:  
\_\_\_\_\_

 Hardware Kit  
(contents may vary)



Expedition Rear Bumper



PACKAGED SEPERATE IF BUMPER IS BARE STEEL

LOD LOGO  
(x1)



**YJ/TJ/LJ Jeep**  
EXPEDITION Series  
REAR BUMPER  
Hardware Kit  
Sheet 1

Packaged by:

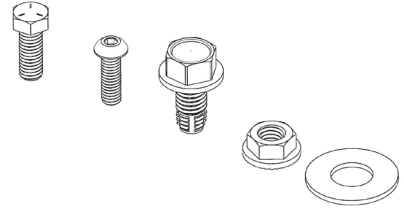
\_\_\_\_\_

On:

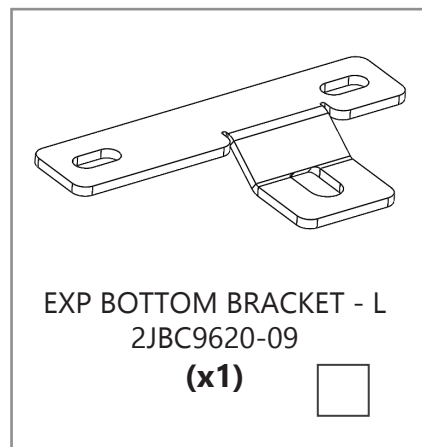
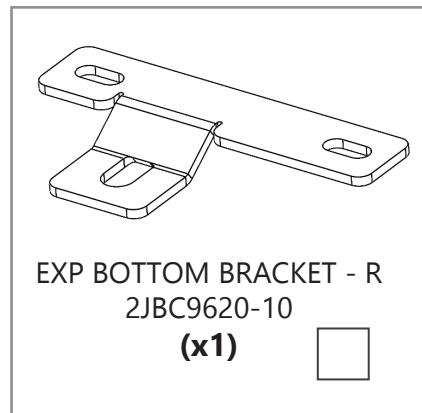
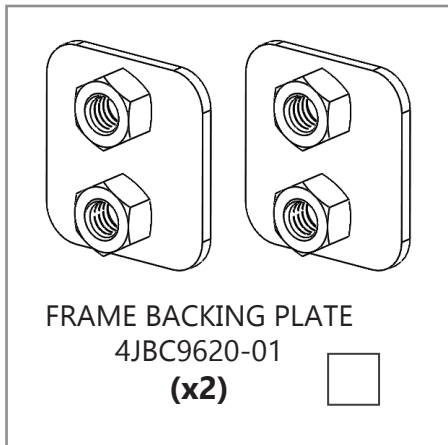
\_\_\_\_\_



INSTRUCTION  
SHEET



BOLT KIT  
(may vary)

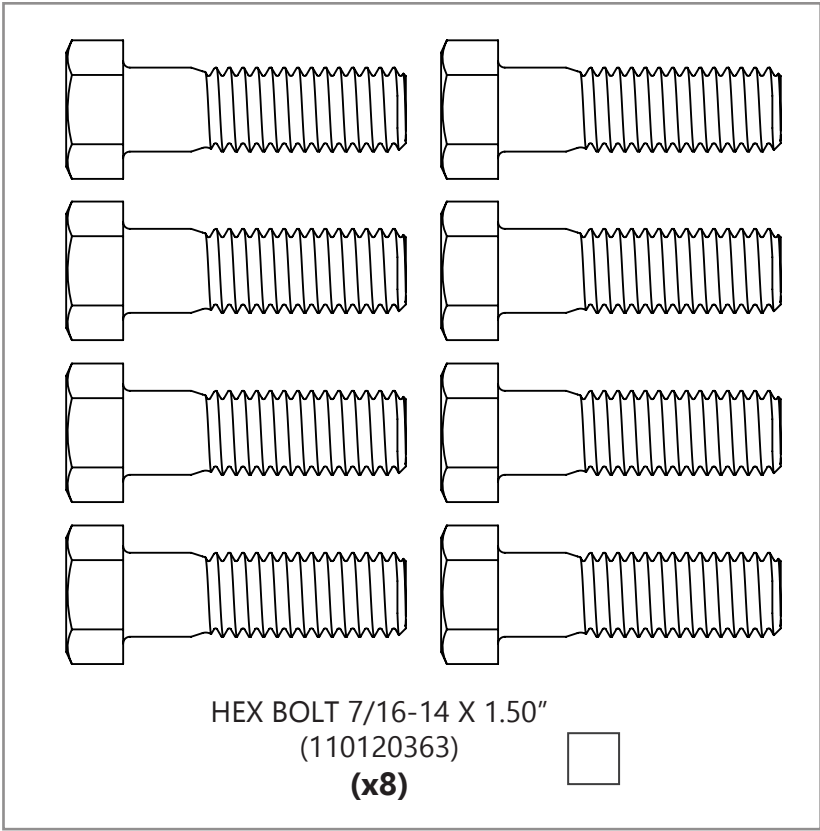




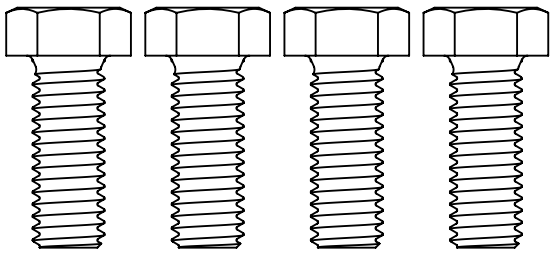
**YJ/TJ/LJ Jeep**  
**EXPEDITION Series**  
**REAR BUMPER**

**Bolt Kit**  
Packaged by:

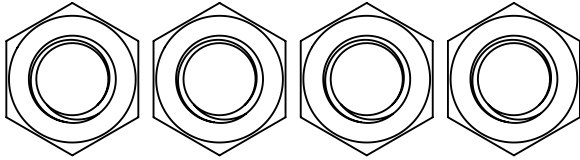
On:  
\_\_\_\_\_



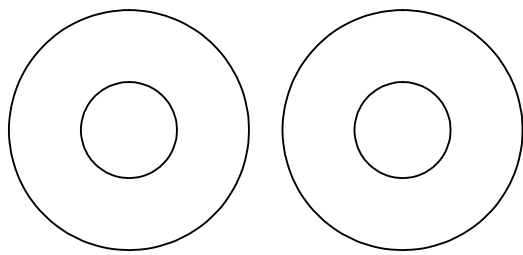
HEX BOLT 7/16-14 X 1.50"  
(110120363)   
**(x8)**



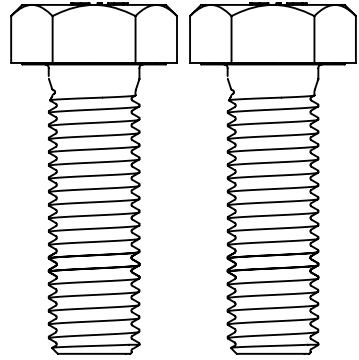
HEX BOLT 3/8-16 X 1.00"  
(0137514)   
**(x4)**



HEX NUT 7/16-14  
(36308)   
**(x4)**

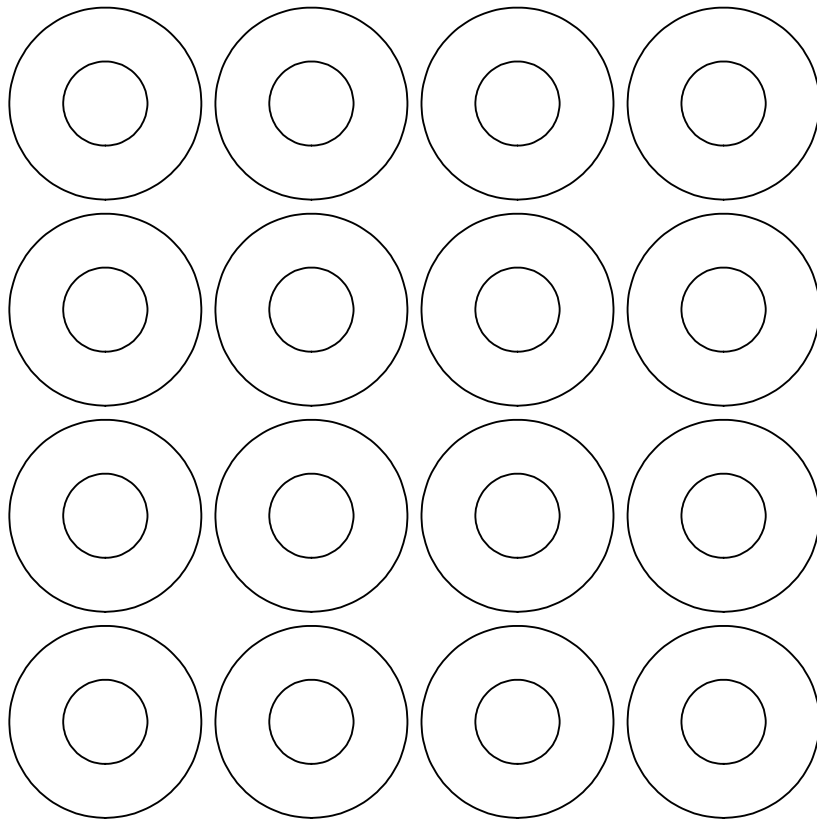


FLAT WASHER  
Ø7/16" X 1.25"  
(0159680)   
**(x2)**



HEX BOLT M12-1.75 X 40MM  
(2138708)   
**(x2)**





FLAT WASHER  
Ø3/8" X 1.00"  
(0159679)  
**(x16)**

