



DESTROYER SERIES

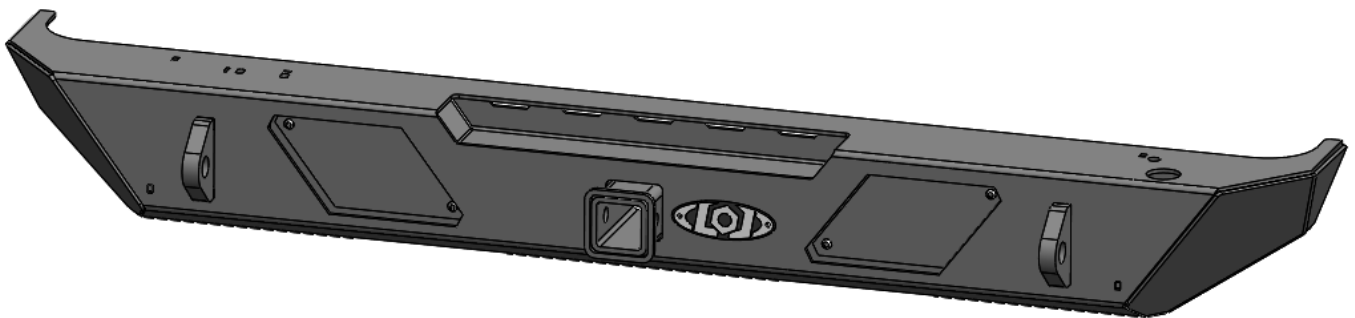


JEEP YJ/TJ/LJ DESTROYER
REAR BUMPER



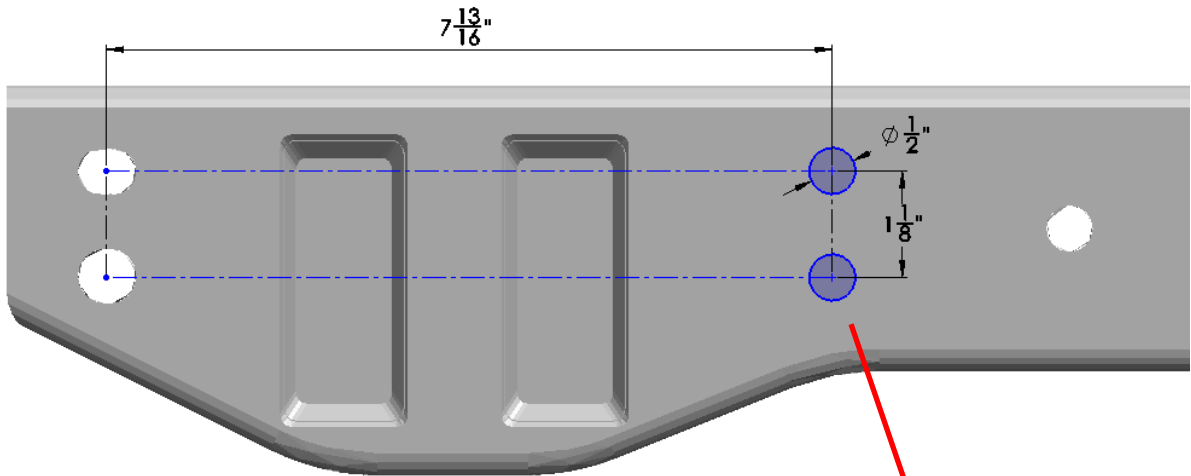
WEB LINK: <http://lodoffroad.com/assets/pdfs/JBC9640 YJ TJ LJ DESTROYER REAR BUMPER.pdf>

VERIFY YOU HAVE ALL THE COMPONENTS BEFORE STARTING THE INSTALLATION. REFER TO THE ENGINEERING DRAWINGS AT THE END OF THIS DOCUMENT FOR A COMPLETE PARTS LIST



Start by removing your rear bumper. You will need to drill two mounting holes on each side in the rear cross member. This step is only needed on 1998 and newer TJ's. Earlier TJ's and YJ's already have these holes in place.

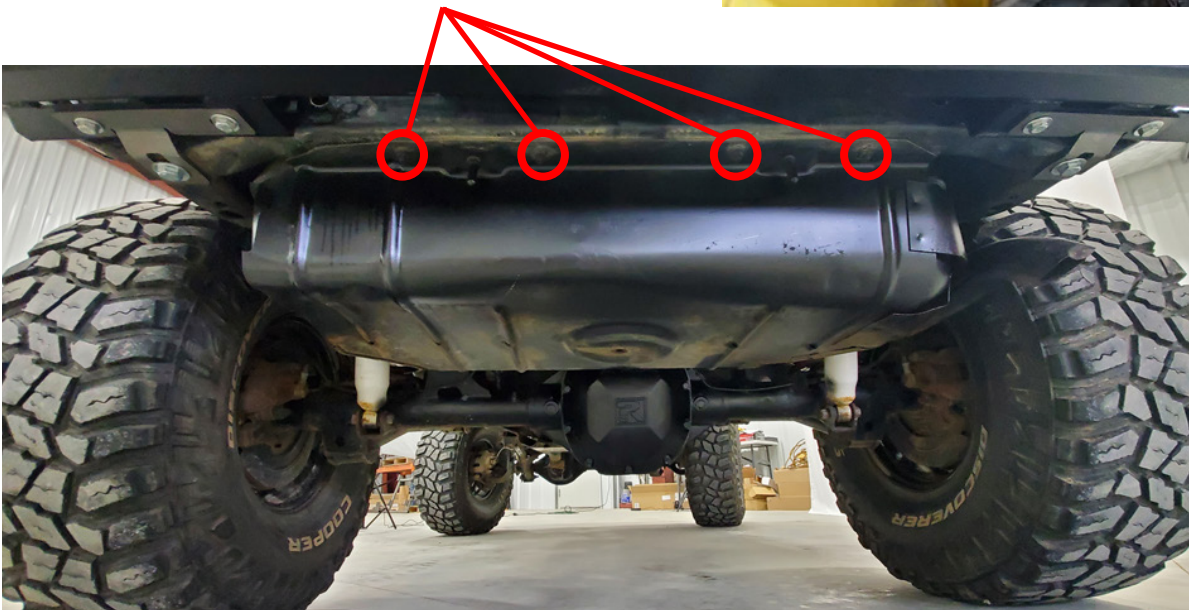
Follow the diagram shown for drilling 1/2" diameter mounting holes 7-13/16" from the outside mounting holes.



To improve your drilling accuracy it is a good idea to start small bit and get progressively larger or use a step drill. Be careful when you punch thru as to not hit the gas tank behind the cross member.



Next lower the gas tank skid plate by removing the 4 screws shown below. This will allow the skid plate to drop a few inches to gain access behind the rear cross member.

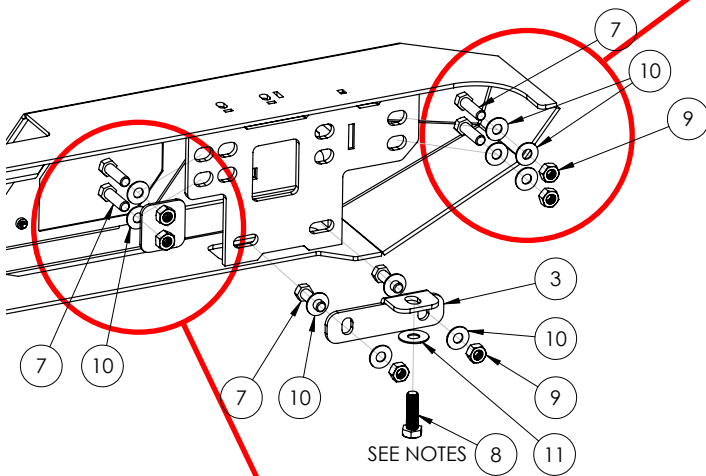
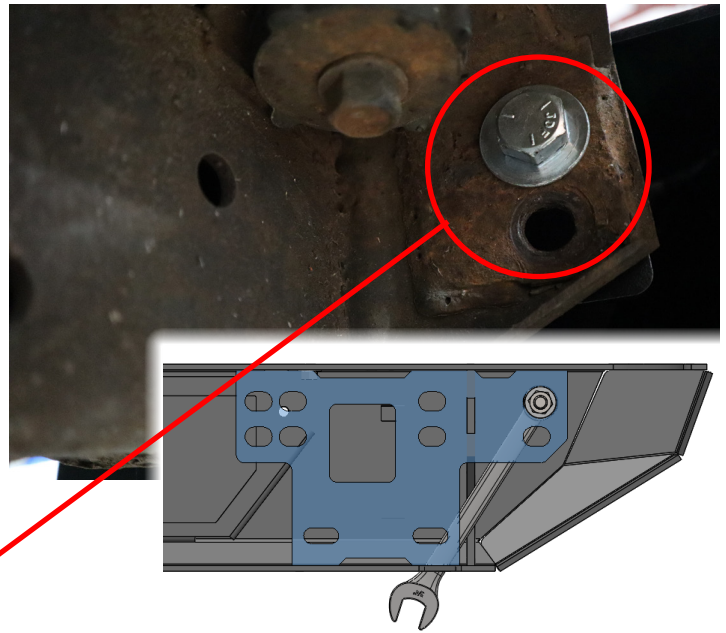


Use a floor jack or a helper to hold the rear bumper up to the rear cross member.

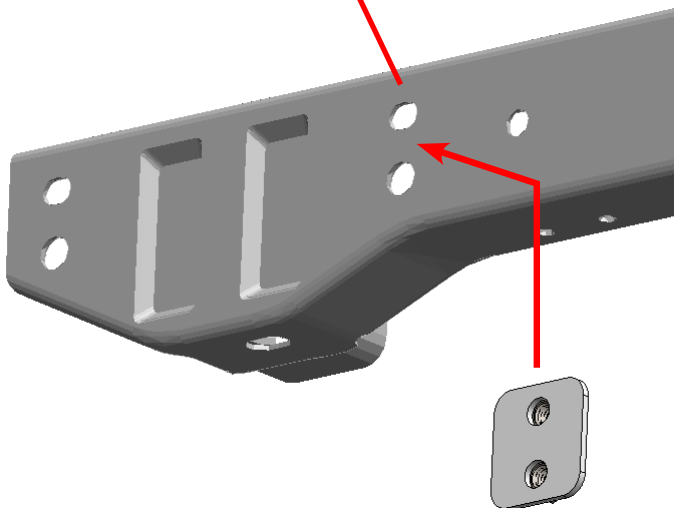
Install the 7/16" Hex Bolts, Nuts and Washers into the two outside mounting holes.

Start with the top bolt first. You can insert a wrench into the large rectangular hole in the bottom of the bumper to access the nut for tightening.

Tighten these securely then install the lower Hex Bolt, Nut and Washer and tighten securely.



Install the 7/16" Hex Bolts, Washers and Frame Backing Plate as shown into the holes that you drilled into the rear Cross Member. With the gas tank skid plate lowered as shown, you will be able to insert the Frame Backing Plate behind the Cross Member. You can access bolt holes thru the light bezel opening in your bumper.



Install your Destroyer Light Bezels using the 1/4" Button Head Screws provided.



****Maintenance****

REAR BUMPER:

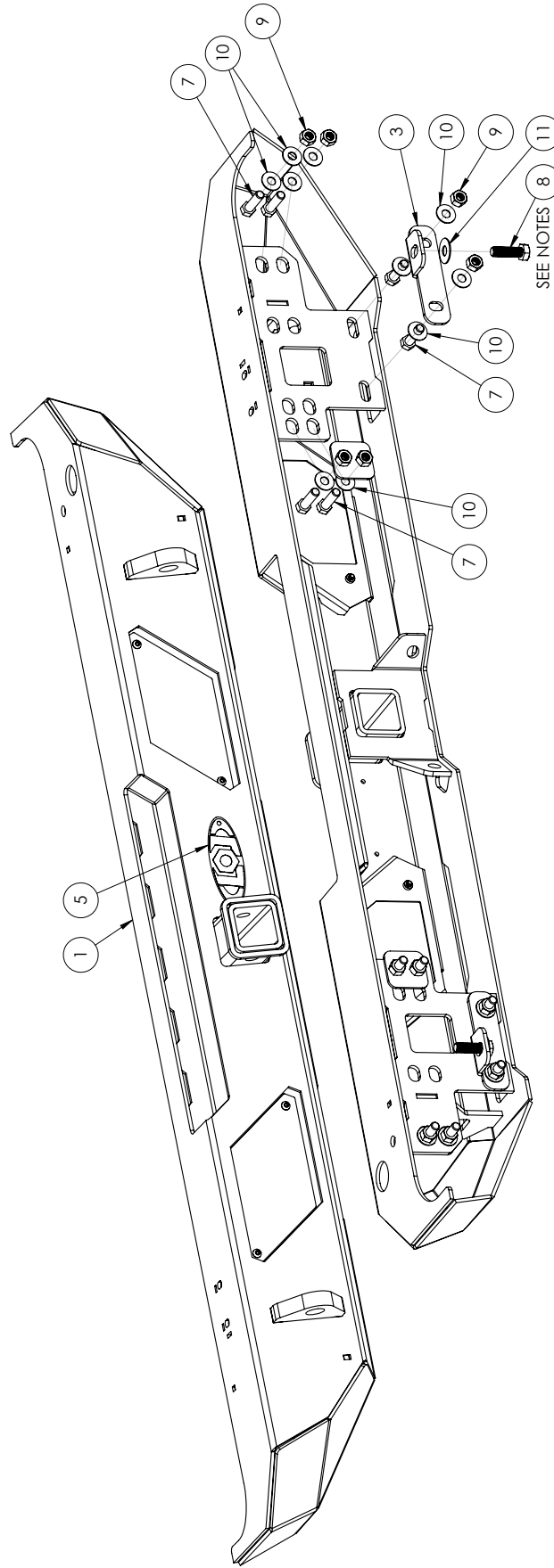
- Periodically check and re-tighten all fasteners.
-
- Periodically check your Bumper for scratches, dings, or rust spots which can happen over time or after heavy use. It is important to address these areas as soon as possible to prevent rust and corrosion from spreading. We recommend using Rustoleum® brand Black Semi-Gloss Protective Enamel (oil based). Apply using a foam brush by dabbing to match the powder coat texture.



ITEM NO.	PART NUMBER	DESCRIPTION	QTY.
1	4JBC9640-05	TJ DESTROYER REAR BUMPER WELDMENT	1
2	4JBC9620-01	FRAME BACKING PLATE	2
3	2JBC9640-24	BOTTOM MOUNT TAB DS	1
4	2JBC9640-23	BOTTOM MOUNT TAB PS	1
5	LOGO1001	DESTROYER LOGO - EMBOSSED	1

BOLT KIT

ITEM NO.	PART NUMBER	DESCRIPTION	QTY.
6	BHSCS252008ZP	BHSCS 1/4-20 X 0.50 ZINC PLATE	4
7	HB431424ZPCR5	HEX BOLT 7/16-14 X 1.50 HEX BOLT ZINC PLATE GR5	12
8	HB12175M40ZPC188	HEX BOLT M12-1.75 x 40mm ZINC PLATE CL8.8	2
9	HN4314ZPCR5	HEX NUT 7/16-14 ZINC PLATE GR5	8
10	FW3816ZP	FLAT WASHER Ø3/8" X 1.00 ZINC PLATE	20
11	FW4318ZP	FLAT WASHER Ø7/16 X 1.25" ZINC PLATED	2



NOTES:

- JRB9640 = BARE STEEL OPTION
- JRB9641 = BLACK POWDER COAT OPTION
- WEIGHT = APPROX 60 LBS
- SOME OLDER JEEPS MAY USE A DIFFERENT THREADED BOLT IN THIS POSITION. BE SURE TO DOUBLE CHECK THIS THREAD BEFORE TIGHTENING THIS BOLT.

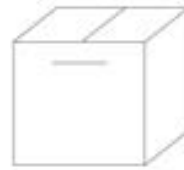
UNLESS OTHERWISE SPECIFIED: DIMENSIONS ARE IN INCHES TOLERANCES: ±0.010 TWO PLACE DECIMAL THREE PLACE DECIMAL ±0.005	DRAWN CHECKED ENG APPR. MEG APPR.	NAME MCH	DATE 7/19/2021
PROPRIETARY AND CONFIDENTIAL THE INFORMATION CONTAINED HEREIN IS THE PROPERTY OF LOD LLC. ANY REPRODUCTION IN PART OR AS A WHOLE WITHOUT THE WRITTEN PERMISSION OF LOD LLC IS PROHIBITED.	 <p>LOD LLC. DESCRIPTION: JEEP YJ/TJ/LJ DESTROYER SERIES REAR BUMPER</p>		
	DWG. NO. JRB9640 JRB9641 SCALE: 1:5 SHEET SIZE: B		
	REV A SHEET 1 OF 1		



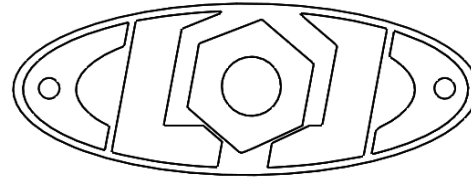
**YJ/TJ/LJ Jeep
DESTROYER SERIES
REAR BUMPER
SHIPPING SHEET**

Packaged by:

On:



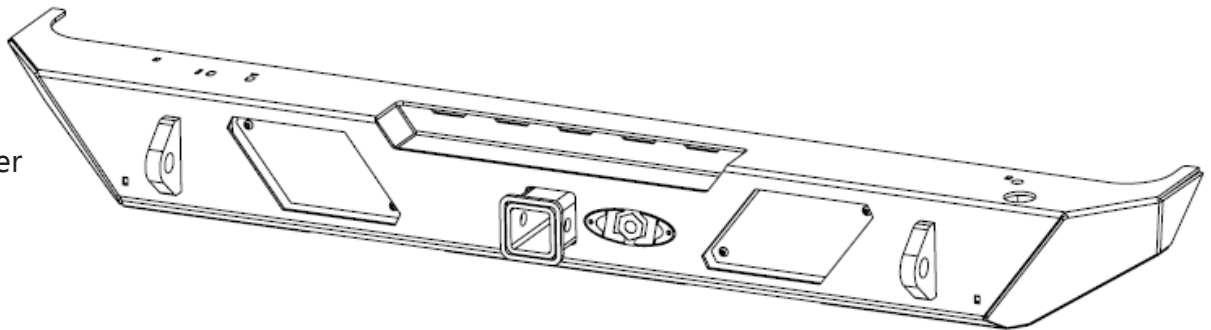
Hardware Kit
(contents
may vary)



PACKAGED SEPERATE IF BUMPER IS BARE STEEL

LOD LOGO
(x1)

Destroyer
Rear Bumper

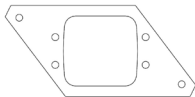


Destroyer Light Bezels

(STYLE MAY VARY, ONLY ONE SET INCLUDED)



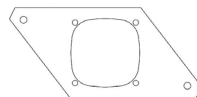
Blank / No light
JLB1851



Universal
Flush Mount
Cube
JLB1821



Rigid Pro-Series
Dually
JLB1841



Baja Designs
Squadron
Flush Mount
JLB1863



Baja Designs
Squadron
JLB1865



Baja Designs
Squadron
Round
JLB1867



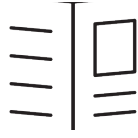
LoD Radiant
Pro LED Surface
Mount
JLB1869



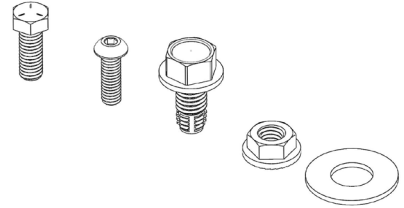
**YJ/TJ/LJ Jeep
DESTROYER SERIES
REAR BUMPER
HARDWARE KIT**

Packaged by:

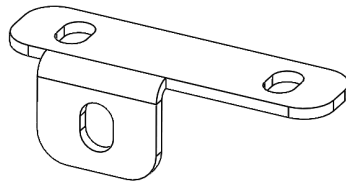
On:



INSTRUCTION
SHEET

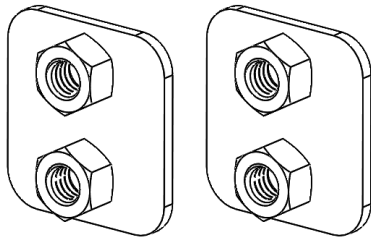


BOLT KIT
(may vary)



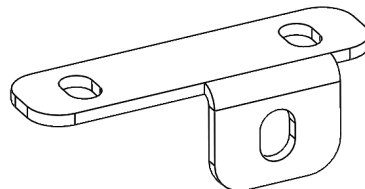
BOTTOM MOUNT TAB PS
2JBC9640-23

(x1)



FRAME BACKING PLATE
4JBC9620-01

(x2)



BOTTOM MOUNT TAB DS
2JBC9640-24

(x1)



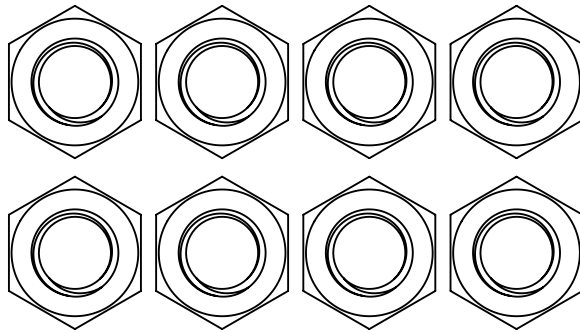


**YJ/TJ/LJ Jeep
DESTROYER SERIES
REAR BUMPER**

Bolt Kit

Packaged by:

On:



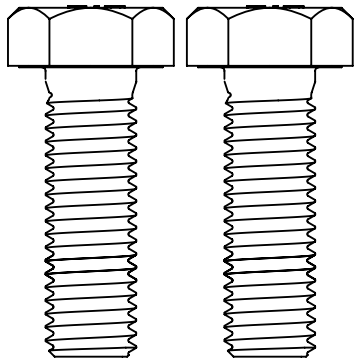
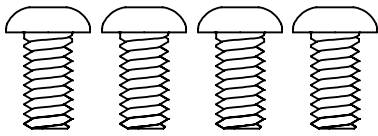
HEX NUT 7/16-14
(36308)

(x8)



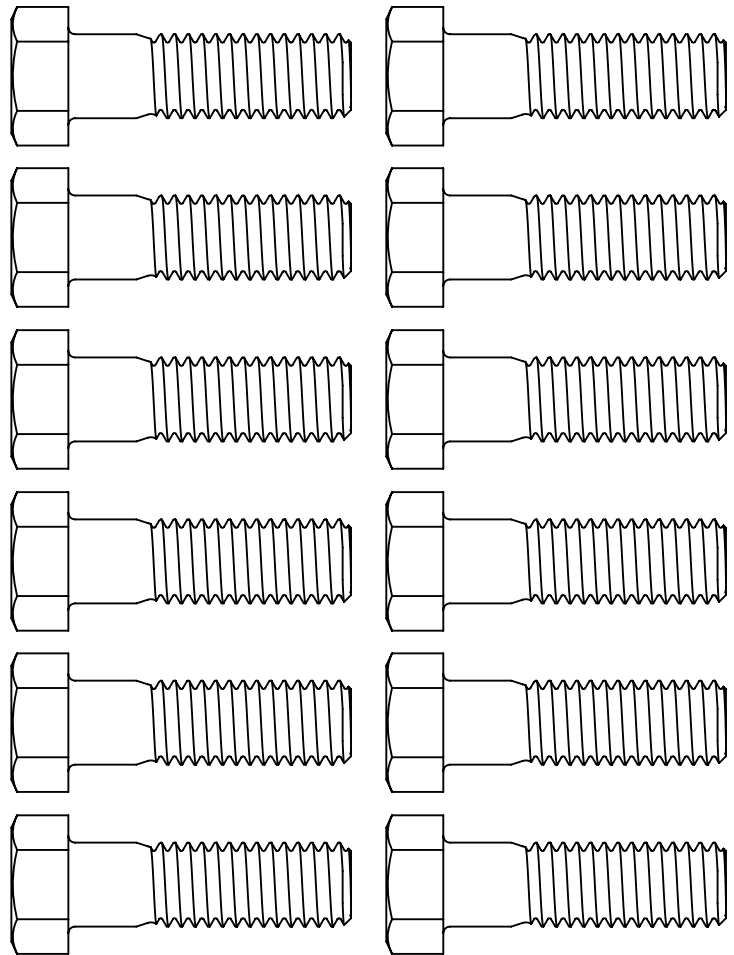
BUTTON HEAD
SCREW 1/4-20 X .50"
(94049)

(x4)



HEX BOLT M12-1.75 X 40MM
(2138708)

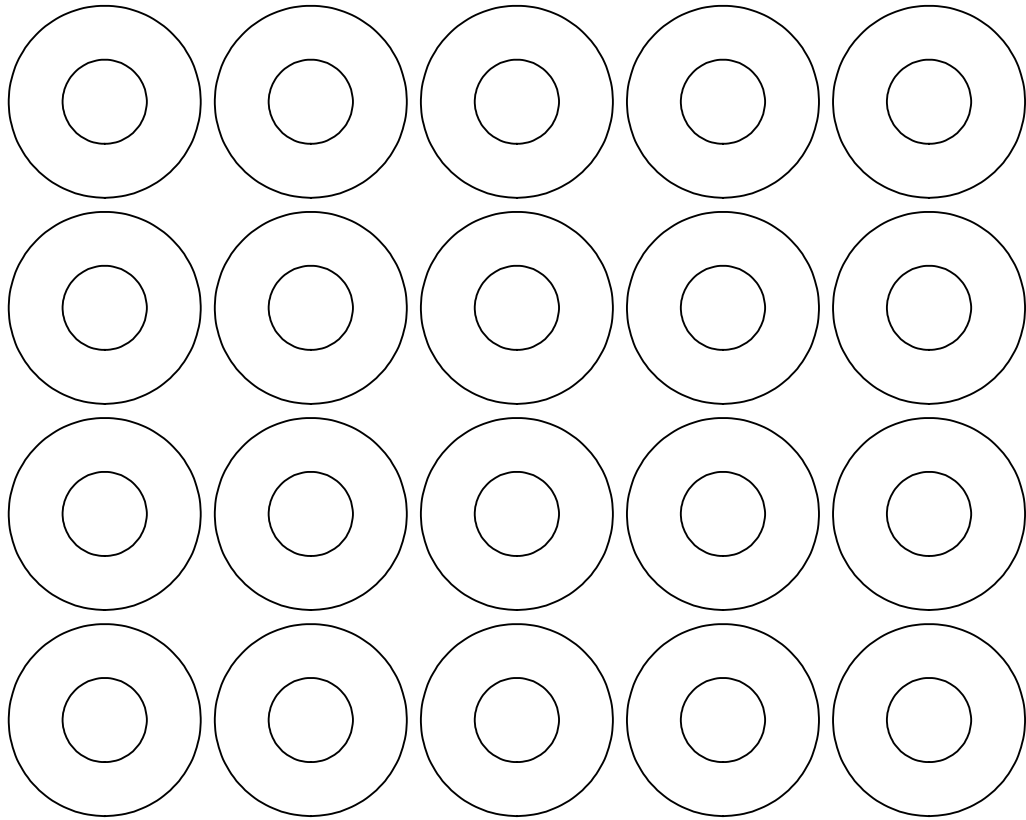
(x2)



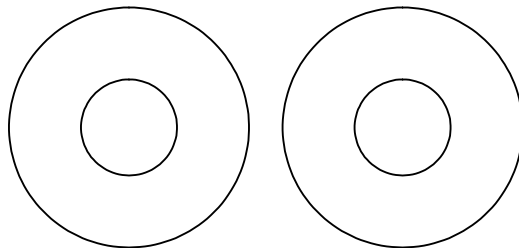
HEX BOLT 7/16-14 X 1.50"
(110120363)

(x12)





FLAT WASHER
Ø3/8" X 1.00"
(0159679)
(x20)



FLAT WASHER
Ø7/16" X 1.25"
(0159680)
(x2)

