



SIGNATURE SERIES
JL JEEP
ROCK RAILS

**INSTALLATION
INSTRUCTIONS**

***PLEASE READ THROUGH THE INSTRUCTIONS BEFORE BEGINNING ANY PART OF THE
INSTALLATION PROCESS***

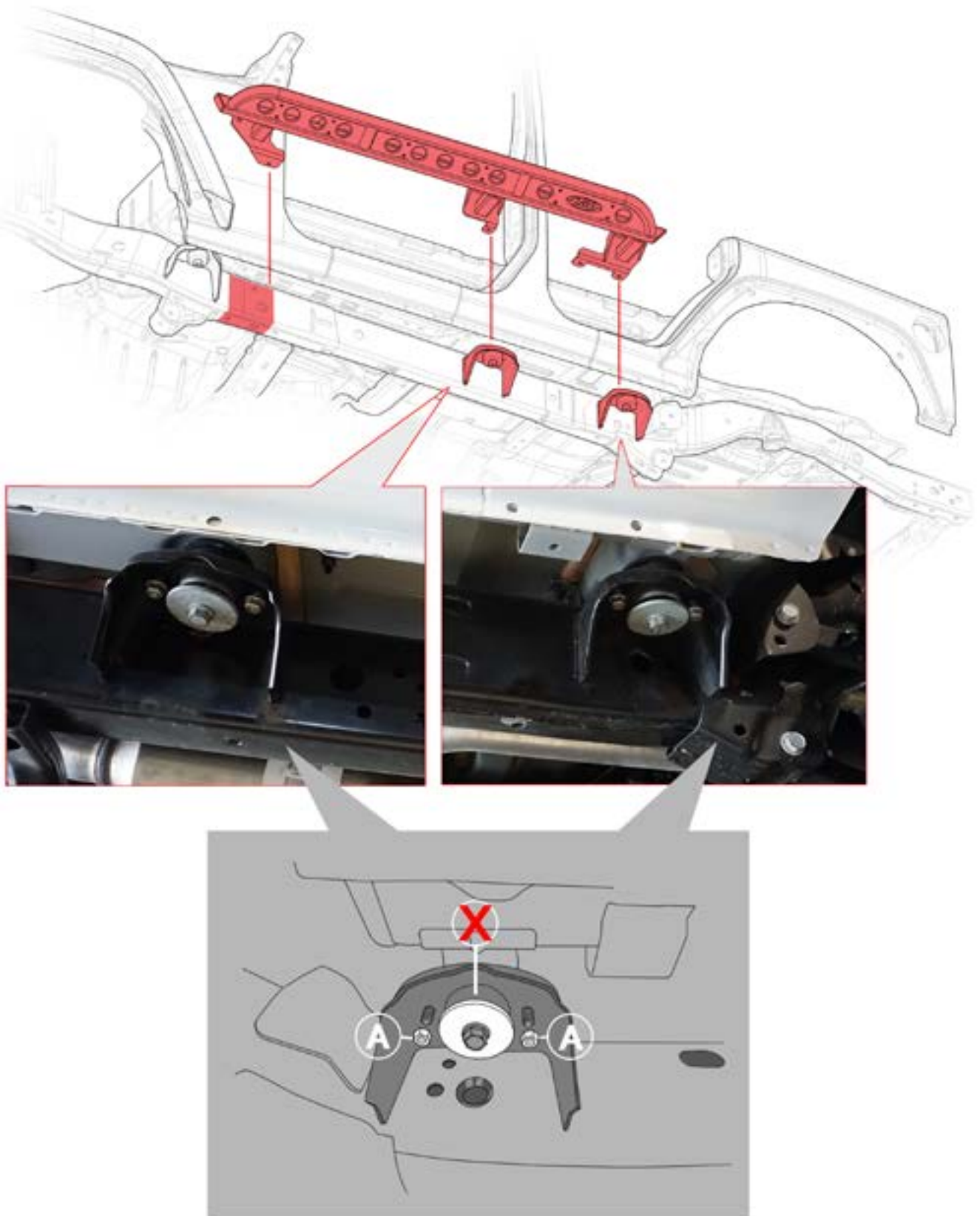
WEB LINK: <http://lodoffroad.com/assets/pdfs/JRS1841INS.pdf>

1.



Remove the stock rock sliders (if included on vehicle)

The rock sliders mount in the shown areas.

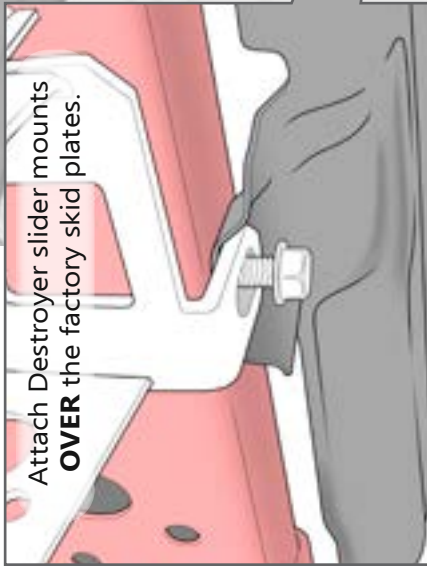
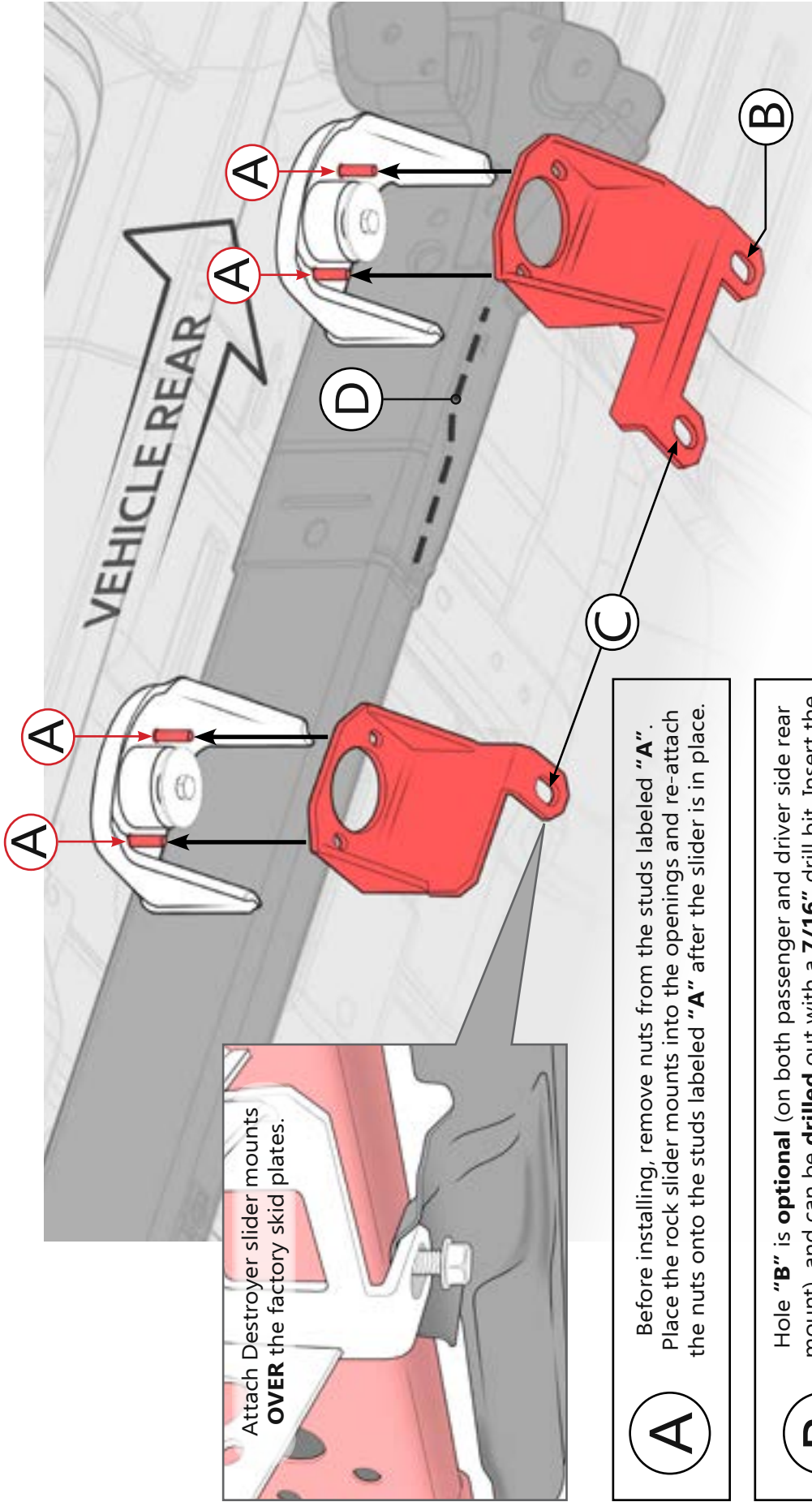


Remove the nuts in position **"A"**

You may need to loosen body bolt **"X"** to get mounts over washer, but DO NOT REMOVE.

CENTER AND REAR MOUNTS - (DRIVER SIDE SHOWN)

****Refer to hardware sheet for the bolt legend****



A Before installing, remove nuts from the studs labeled "A". Place the rock slider mounts into the openings and re-attach the nuts onto the studs labeled "A" after the slider is in place.

B Hole "B" is **optional** (on both passenger and driver side rear mount), and can be **drilled** out with a **7/16"** drill bit. Insert the provided self-tapping thread roller bolts (labeled "B" on the hardware sheet) and slowly tighten them until fully seated.

C We will supply hardware for holes labeled "C" on the **DRIVER** side. You will **re-use the stock bolts** that are already there on the **PASSENGER** side. Use bolts + washers labeled "C."

D Some welds and seams may need to be ground flat with a hand grinder. The dashed line, labeled "D," indicates where we had to grind a drippy weld.

FRONT MOUNT - (Passenger side illustrated for example, both sides are the same)

****Refer to hardware sheet for the bolt legend****



E Insert the flag nut labeled "E" into the rectangular hole.

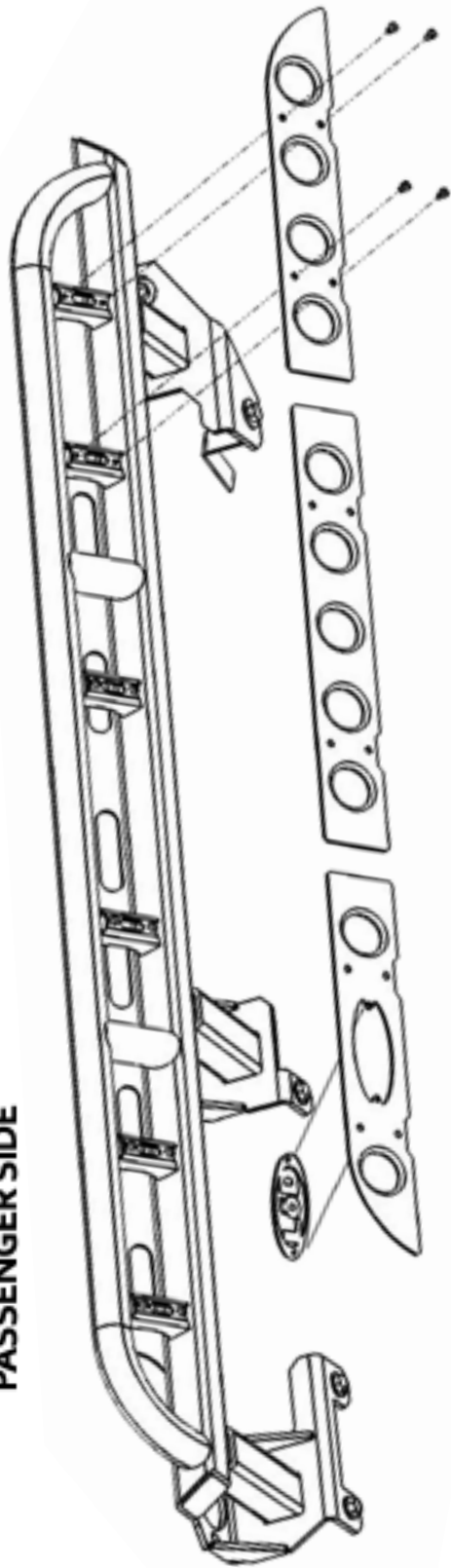
G Attach bolt "G", lining it up with the flag nut hole in step "E."

F Hole "F" is optional, but is *recommended* for off-road use. Mark the hole location, then use a **9/16"** drill bit to drill THROUGH the frame (on the passenger side only, the driver's side has a hole.) Use bolts labeled "F" on the passenger and driver side. Add two 0.5" spacer washers between the Jeep frame and front mount if needed.

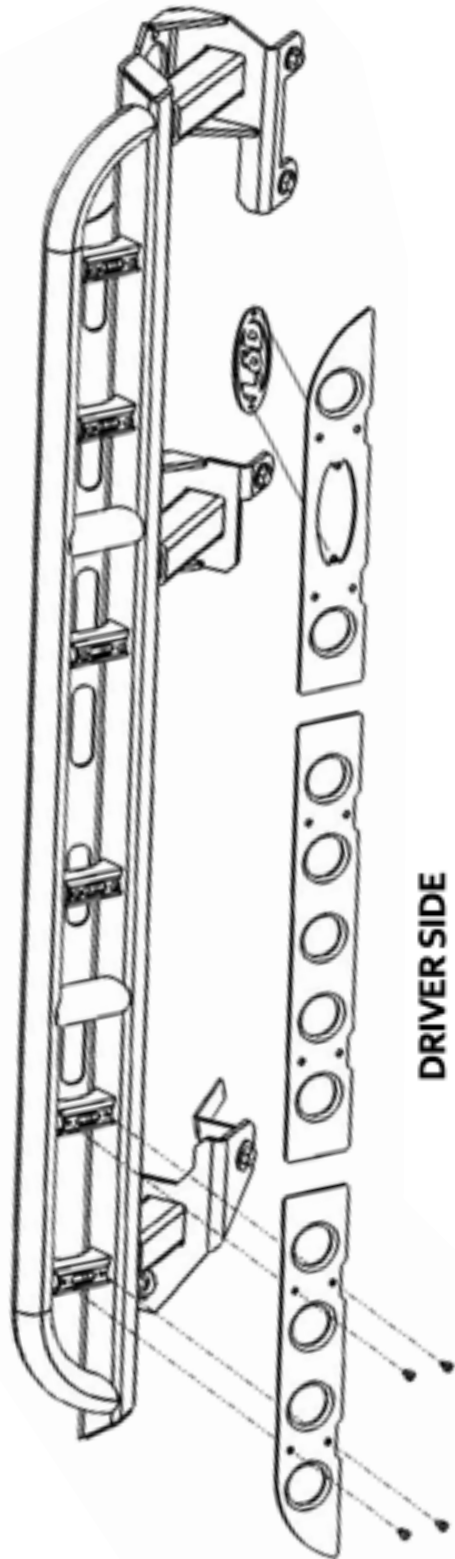


Installing Cosmetic + Logo Panels

PASSENGER SIDE



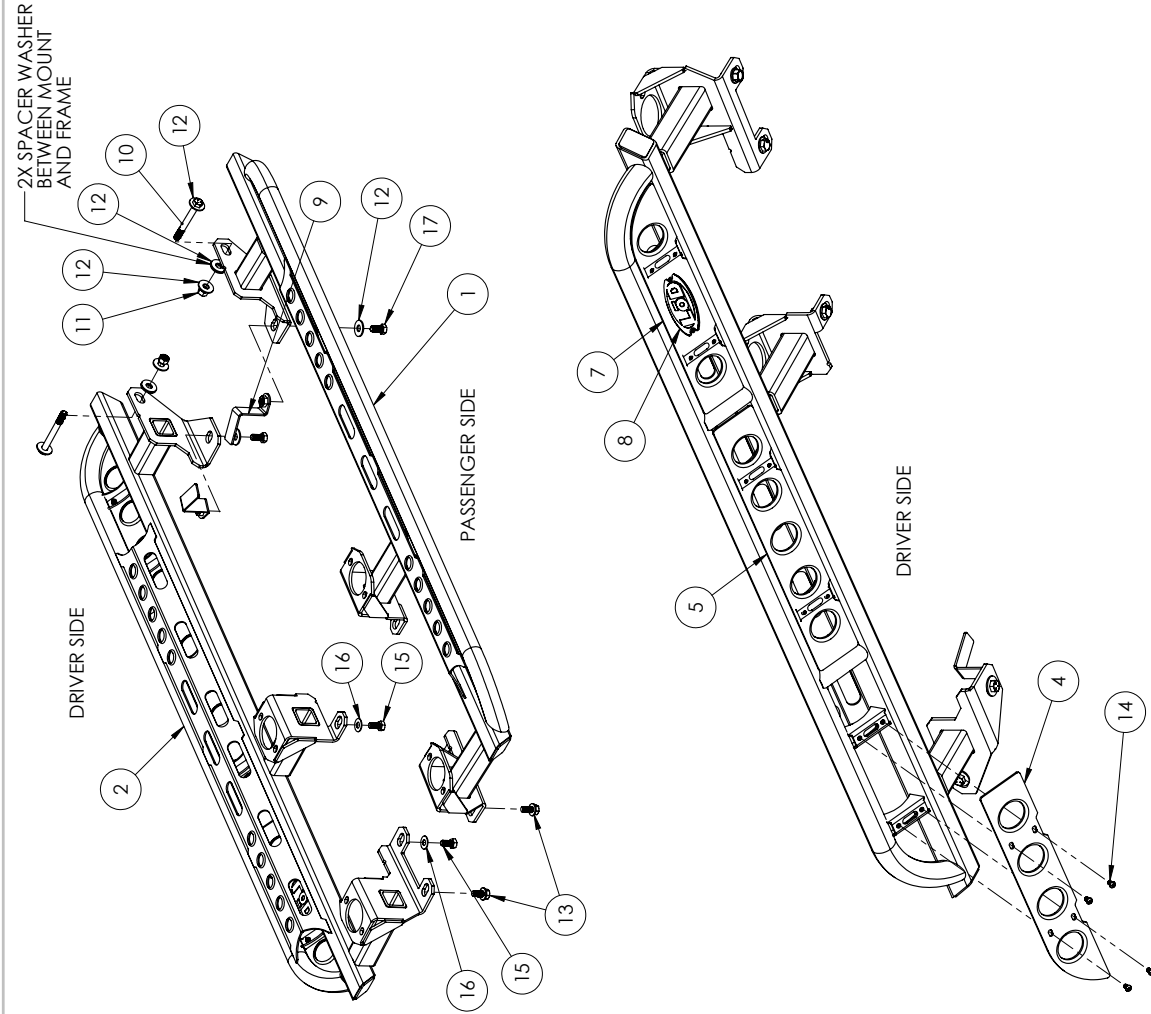
DRIVER SIDE



| ITEM NO. | PART NUMBER | DESCRIPTION | QTY. |
|----------|-------------|--------------------------------|------|
| 1 | 4JRS1840-05 | SIG SLIDER PASS SIDE WELDMNT | 1 |
| 2 | 4JRS1840-06 | SIG SLIDER DRIVER SIDE WELDMNT | 1 |

HARDWARE KIT

| ITEM NO. | PART NUMBER | DESCRIPTION | QTY. |
|----------|------------------|--|------|
| 3 | 2JRS1840-07 | PASS SIDE LOWER FRONT COVER PLATE | 1 |
| 4 | 2JRS1840-21 | DRIVER SIDE LOWER FRONT COVER PLATE | 1 |
| 5 | 2JRS1840-08 | LOWER MIDDLE COVER PLATE | 2 |
| 6 | 2JRS1840-09 | PASS SIDE LOWER REAR COVER PLATE | 1 |
| 7 | 2JRS1840-23 | DRIVER SIDE LOWER REAR COVER PLATE | 1 |
| 8 | LOD Logo | Logo | 2 |
| 9 | THN5013ZPGR5-02 | TABBED HEX NUT 1/2-13 ZINC PLATE GR5 | 2 |
| 10 | HB501372PGR5 | HEX BOLT 1/2-13 X 4.50 HEX BOLT ZINC PLATE GR5 | 2 |
| 11 | HN5013ZPGR5 | HEX NUT 1/2-13 ZINC PLATE GR5 | 2 |
| 12 | FW502ZP | FLAT WASHER Ø1/2" X 1.375" ZINC PLATE | 10 |
| 13 | TR501316ZP | THREAD ROLLER 1/2-13 X 1.00 HEX ZINC PLATE | 2 |
| 14 | BHSCS252008ZP | BHSCS 1/4-20 X 0.50 ZINC PLATE | 24 |
| 15 | HB12150M25ZPC188 | HEX BOLT M12-1.50 x 25mm ZINC PLATE CL8.8 | 2 |
| 16 | FW4318ZP | FLAT WASHER Ø7/16 X 1.25" ZINC PLATED | 2 |
| 17 | HB501316ZPGR5 | HEX BOLT 1/2-13 X 1.00 HEX BOLT ZINC PLATE GR5 | 2 |



NOTES:

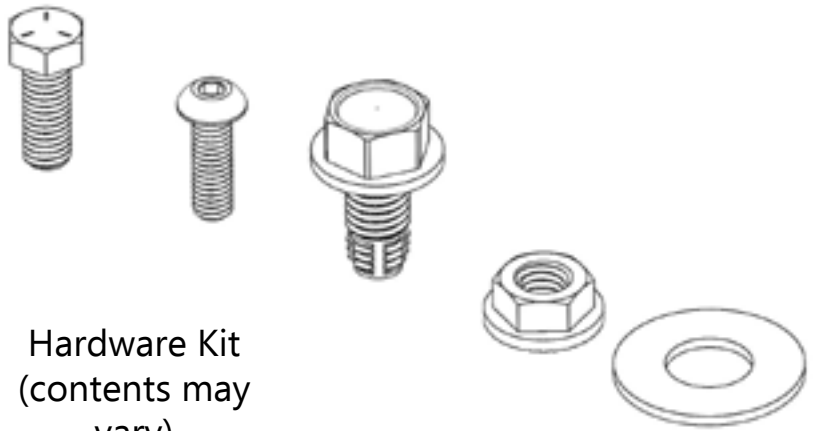
- JRS1840 = BARE STEEL OPTION
- JRS1841 = BLACK POWDER COAT OPTION

| | | | |
|--|-------|--------------------------------|---------------|
| UNLESS OTHERWISE SPECIFIED: DIMENSIONS ARE IN INCHES TOLERANCES: ±0.010 ANGULAR: MACH ±1° TWO PLACE DECIMAL ±0.015 THREE PLACE DECIMAL ±0.005 | DRAWN | NAME | DATE |
| CHECKED | MCH | LOD LLC. | 4/11/2018 |
| ENG APPR. | | DESCRIPTION: | |
| MFG APPR. | | SIGNATURE SERIES FRAME MOUNTED | |
| MATERIAL: | | 4 DOOR ROCK SLIDERS | |
| N/A | | DWG. NO. JRS1840 | REV |
| SEE NOTES | | JRS1841 | C |
| ECO: | | SCALE: 1:10 | SHEET SIZE: B |
| 1040 | | | SHEET 1 OF 1 |

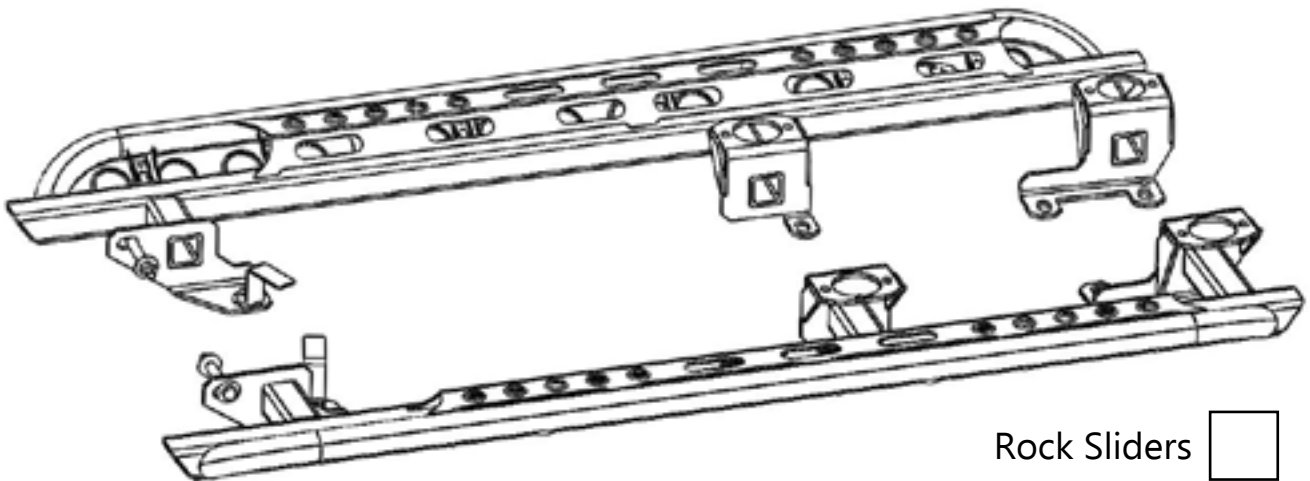


JL Jeep
Signature Series
Rock Sliders
Hardware Sheet
Packaged by:

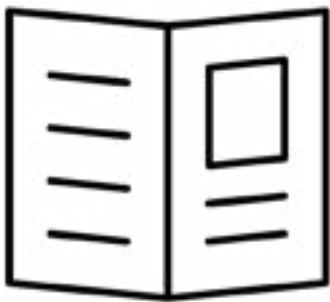
On:



Hardware Kit
(contents may
vary)



Rock Sliders

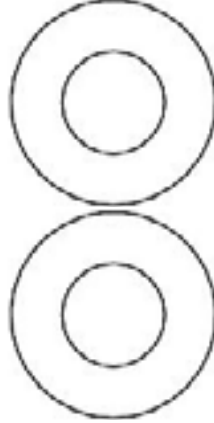
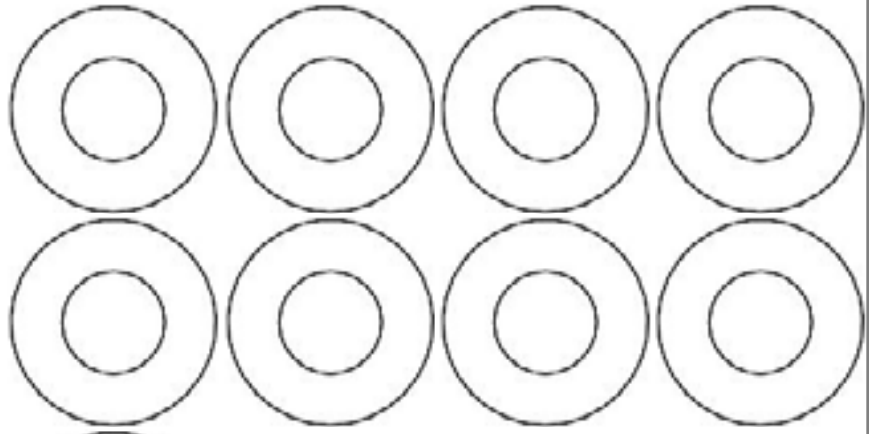


Rock Slider Instruction Booklet



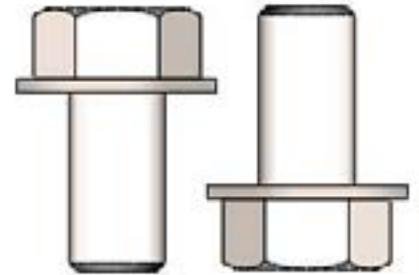
**JL Jeep
Signature Series**
Rock Sliders
Packing Slip
Packaged by:

On: _____



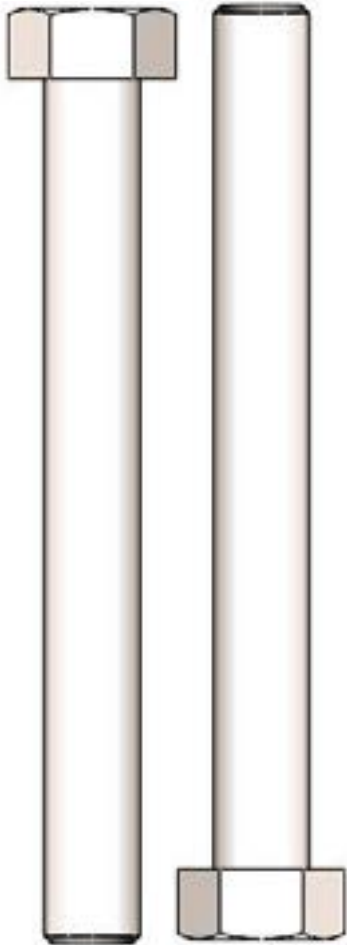
G **F**

1/2" (13) x 1.375"
Washer
(x 10)



B

1/2" (13) x 1"
Self Tapping Thread
Roller
(x 2)



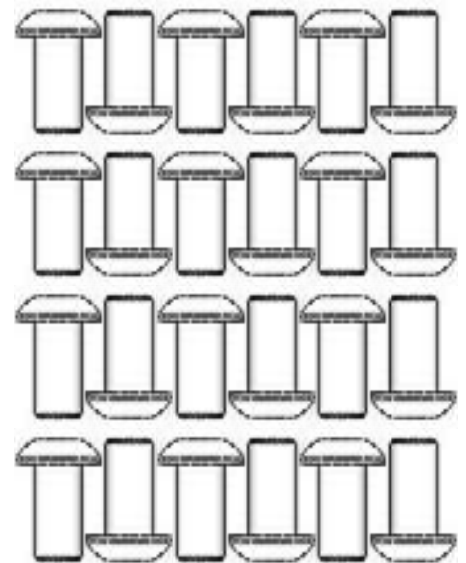
F

1/2" (13) x 4.5"
Hex Bolt
(x 2)



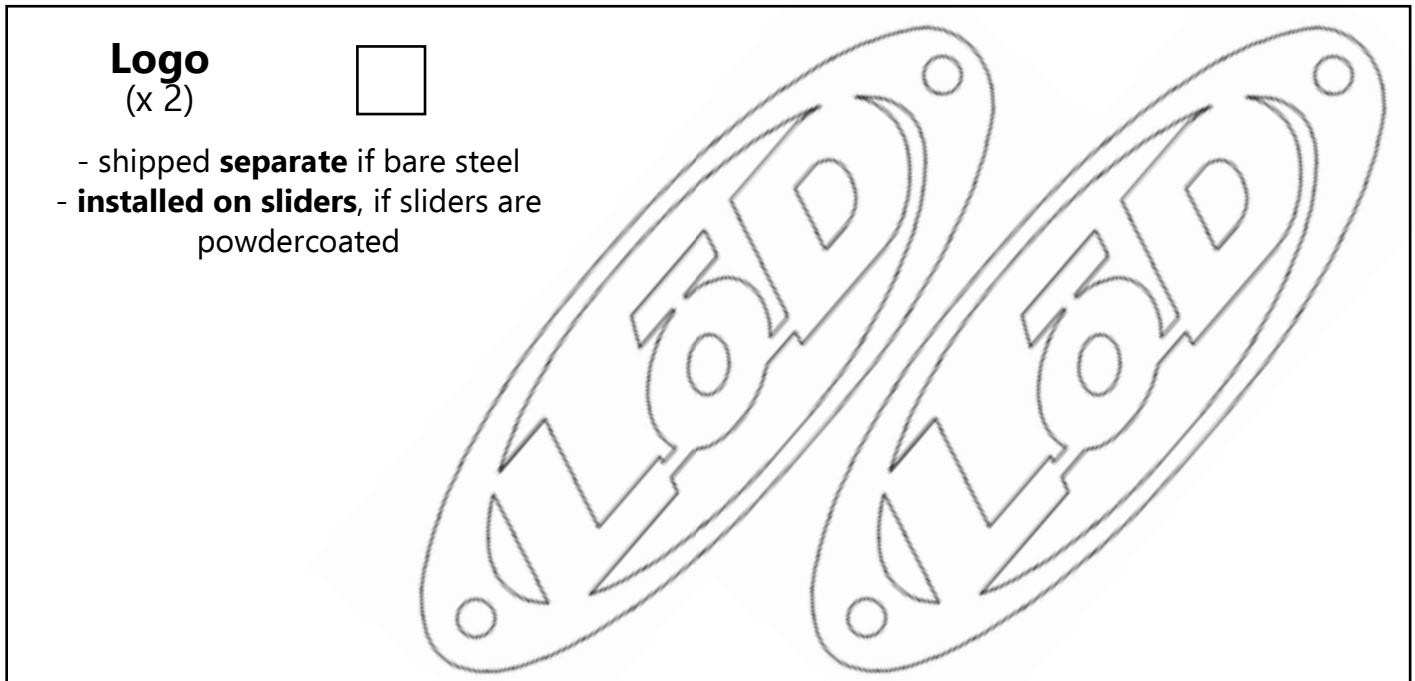
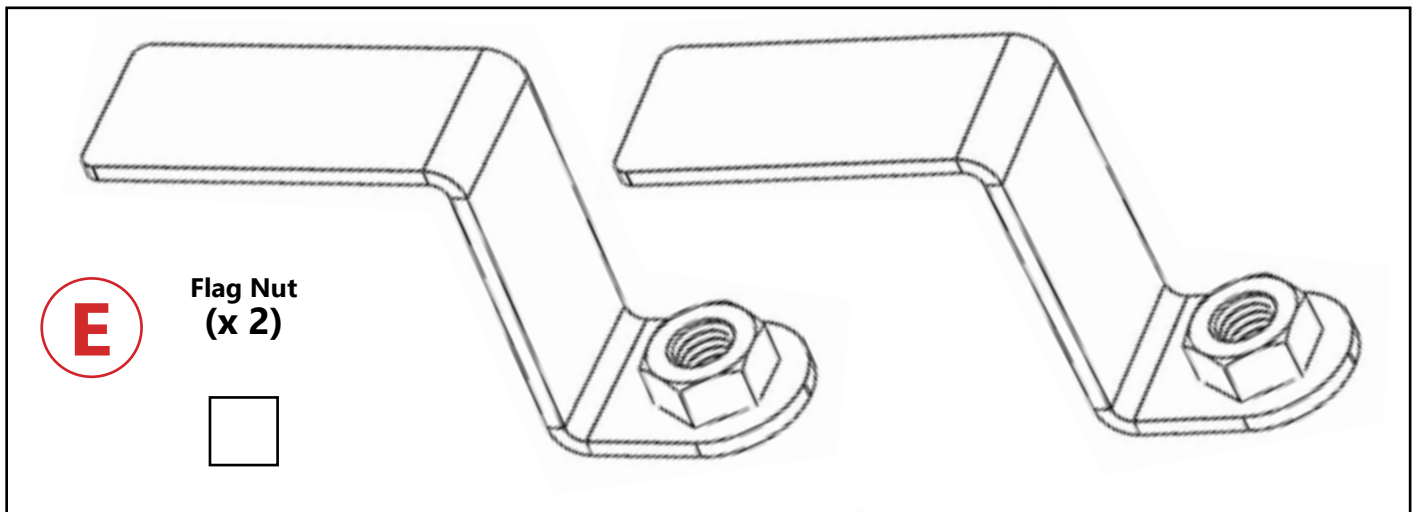
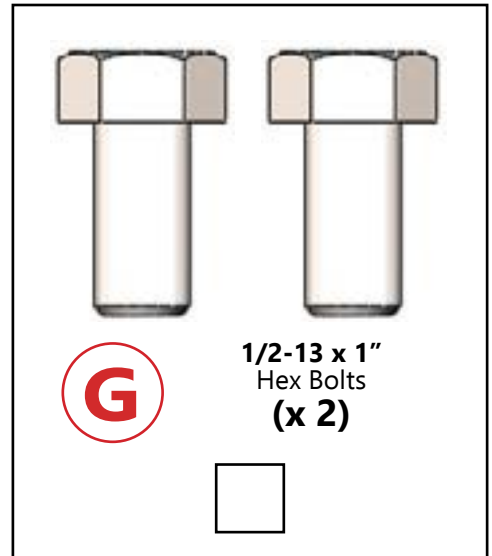
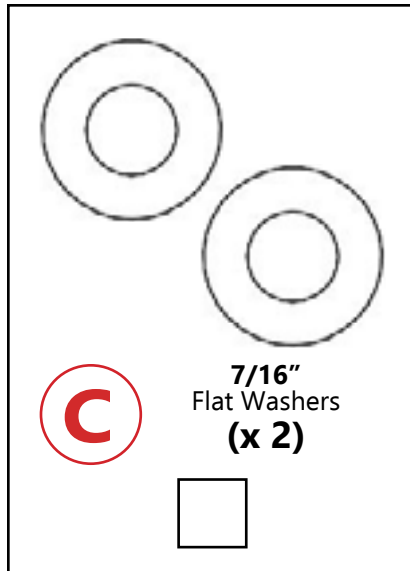
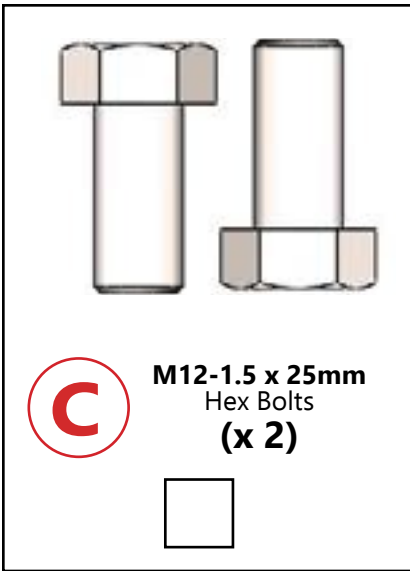
1/2" (13)
Hex Nut
(x 2)

F



1/4" (20) x 0.5"
Buttonhead Bolts
(x 24)

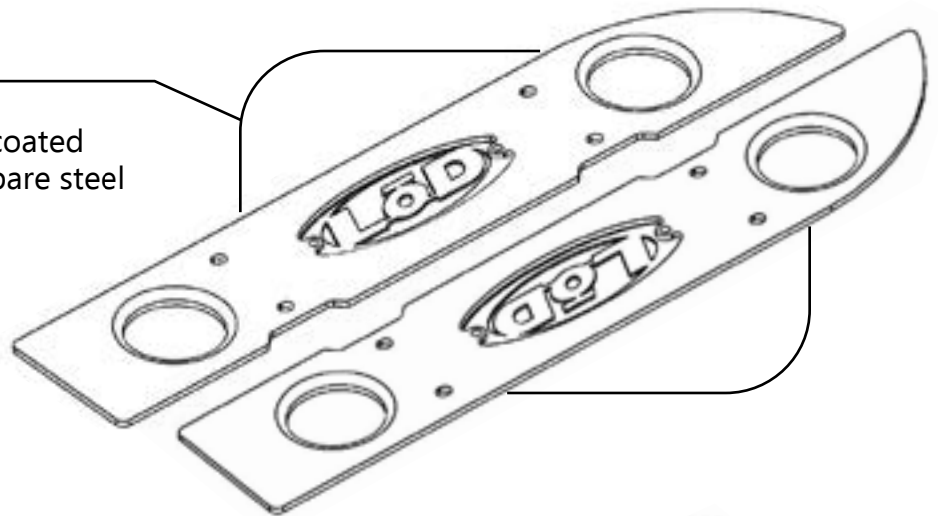




Cosmetic Panels (Included)

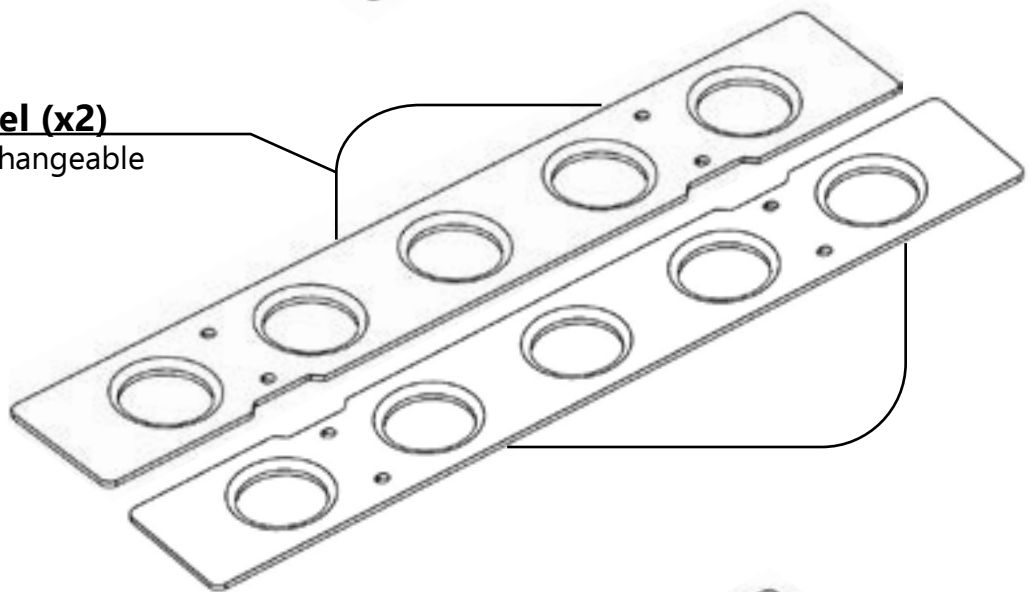
Rear Panel (x2)

- opposite sides
- logo installed if powdercoated
- logo packaged separate if bare steel



Middle Panel (x2)

- identical/interchangeable



Front Panel (x2)

- opposite sides

