

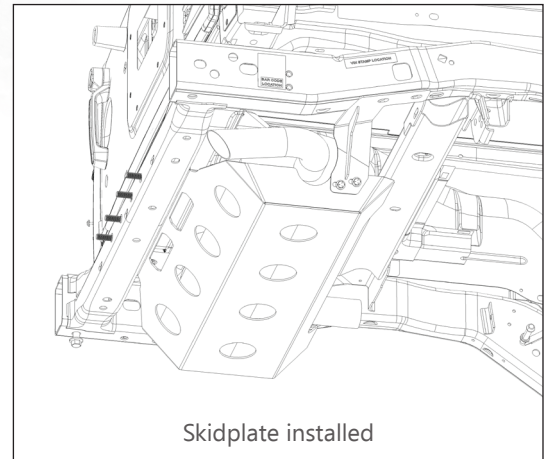
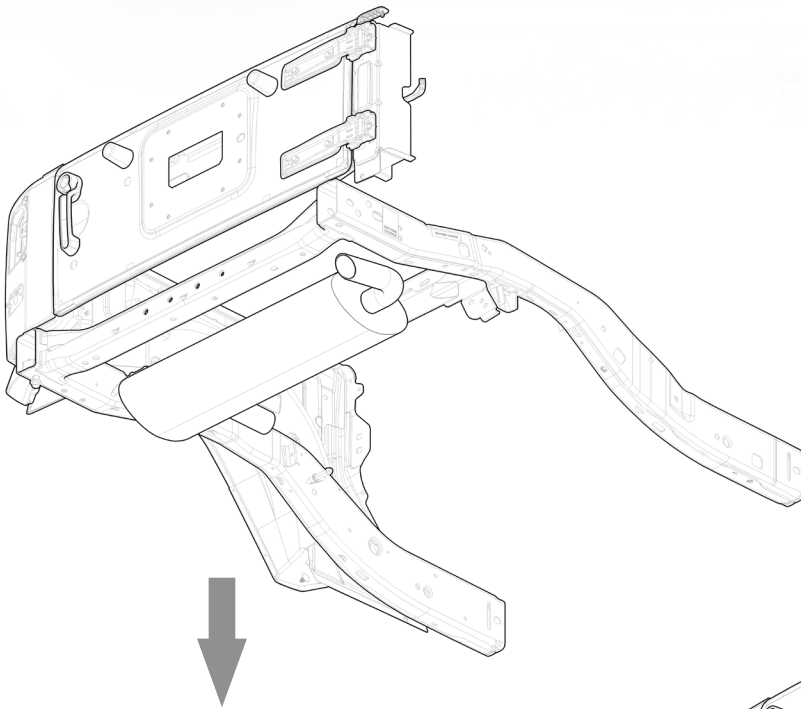


**DESTROYER SERIES**

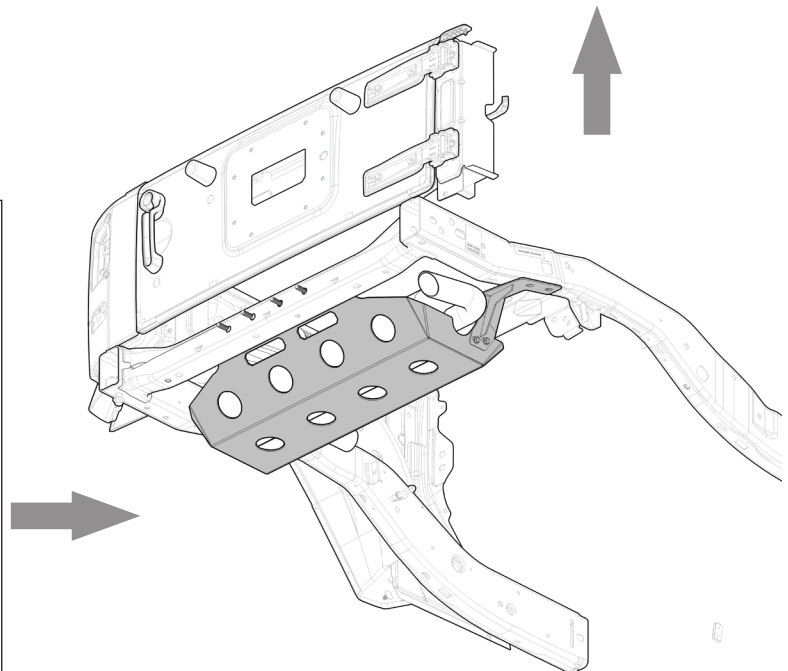
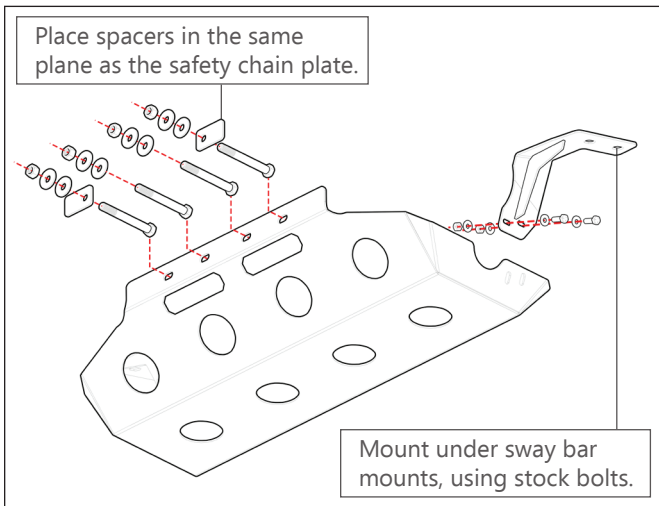


MUFFLER  
SKIDPLATE

**\*PLEASE READ THROUGH THE INSTRUCTIONS BEFORE BEGINNING ANY PART OF THE INSTALLATION PROCESS\***



Skidplate installed



ITEM NO.	PART NUMBER	DESCRIPTION	QTY.
1	4JSP0720-01	SKID PLATE WELDMENT	1
2	4JSP0720-02P	PASSENGER SIDE MOUNT	1
3	4JSP0720-02D	DRIVER SIDE MOUNT	1

**BOLT KIT**

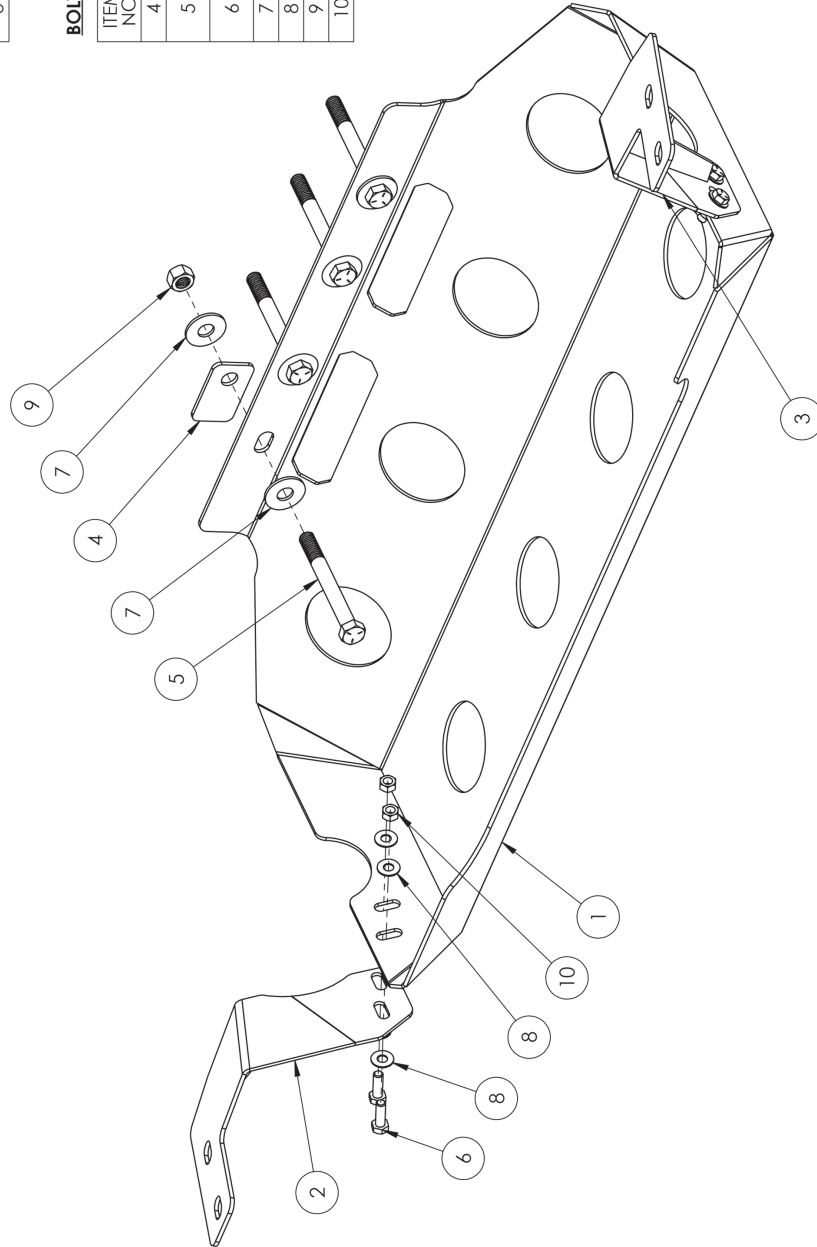
ITEM NO.	PART NUMBER	DESCRIPTION	QTY.
4	2JSP0720-05	SPACER	2
5	HB501372PGR5	HEX BOLT 1/2-13 X 4-50 HEX BOLT ZINC PLATE GR5	4
6	HB311816ZPGR5	HEX BOLT 5/16-18 X 1.00 ZINC PLATE GR5	4
7	FW5022ZP	FLAT WASHER Ø1/2" X 1.375" ZINC PLATE	8
8	FW3112ZP	FLAT WASHER Ø5/16" X .75" ZINC PLATE	8
9	HN5013ZPGR5	HEX NUT 1/2-13 ZINC PLATE GR5	4
10	HN3118ZPGR5	HEX NUT 5/16-18 ZINC PLATE GR5	4

**NOTES:**

1. JSP0720 = BARE STEEL OPTION
2. JSP0721 = BLACK POWDER COAT OPTION

DESTROYER MUFFLER REAR SKID  
PLATE

JSP0720  
JSP0721

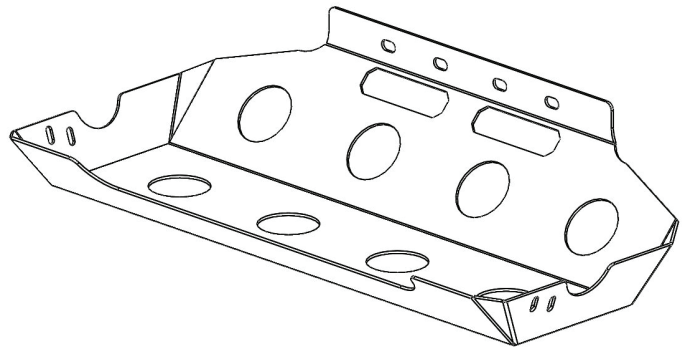




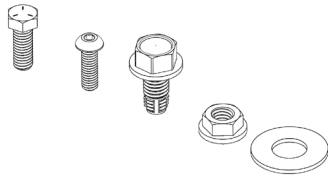
**JK Jeep**  
**DESTROYER SERIES**  
 Muffler Skidplate  
 SHIPPING SHEET

Packaged by:

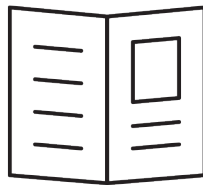
\_\_\_\_\_  
 On:  
 \_\_\_\_\_



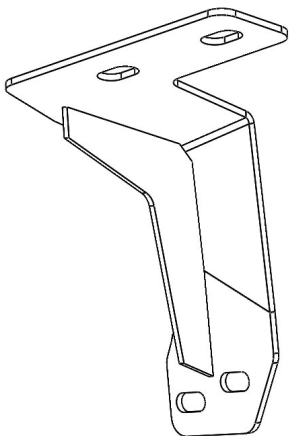
Skid Plate Weldment  
**(x1)**



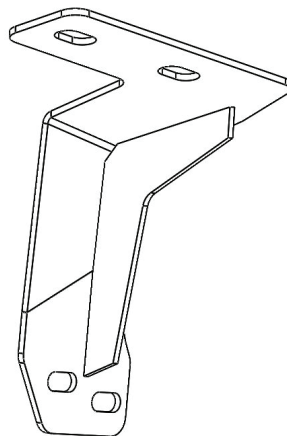
BOLT KIT  
 (may vary)



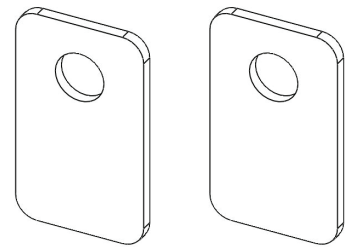
Instruction  
 Booklet



Passenger Side Mount  
**(x1)**



Driver Side Mount  
**(x1)**



Safety Chain Plate Spacers  
**(x1)**





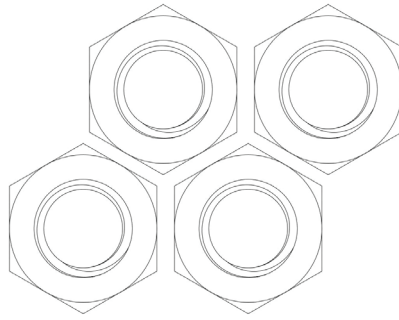
**JK Jeep**  
**DESTROYER SERIES**  
 Muffler Skid Plate  
 Bolt Kit

Packaged by:

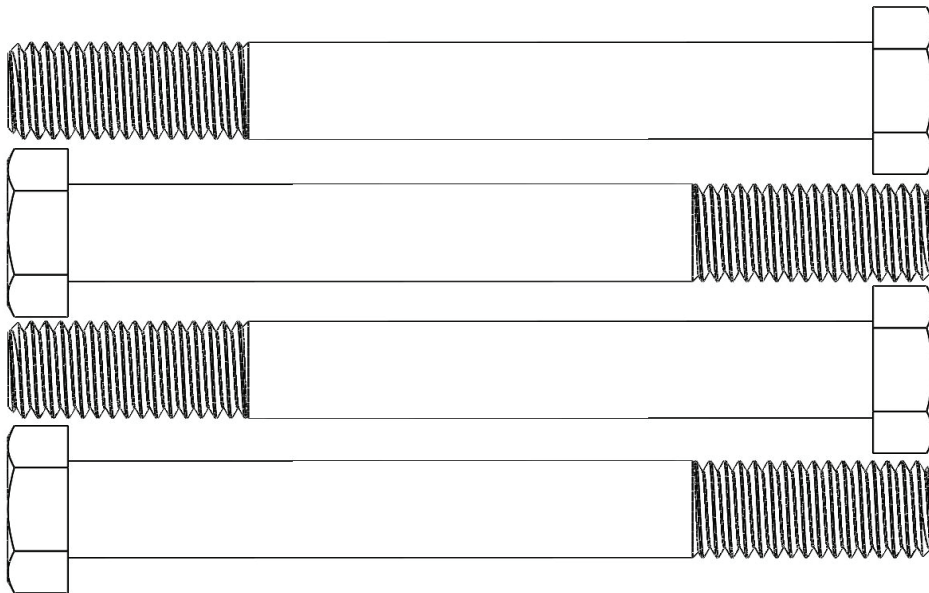
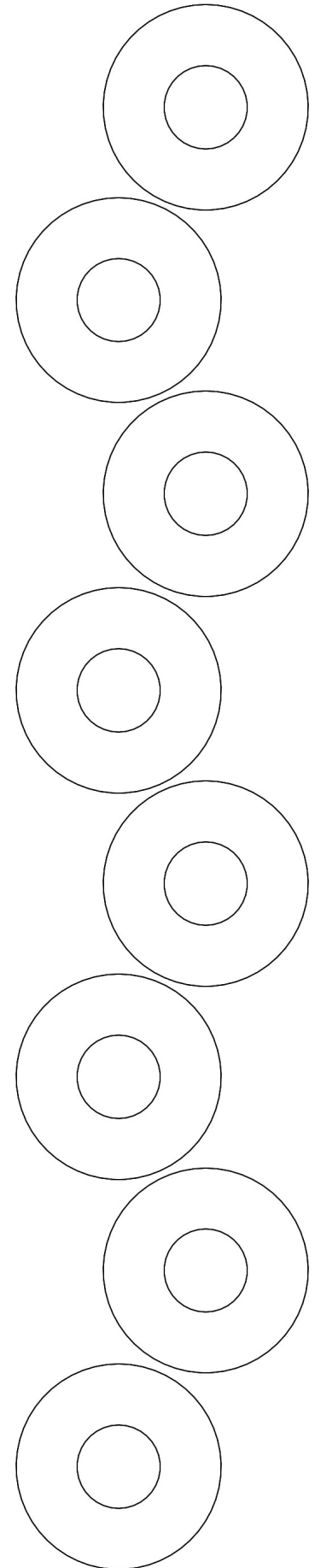
\_\_\_\_\_

On:

\_\_\_\_\_



Hex Nut  
 1/2"-13  
**(x4)**

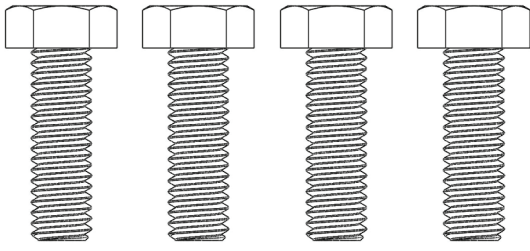


Hex Bolt  
 1/2"-13 x 4.5"  
**(x4)**

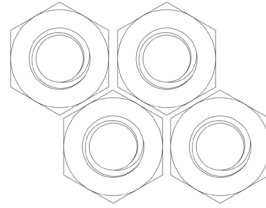


Flat Washer  
 1/2"  
**(x8)**

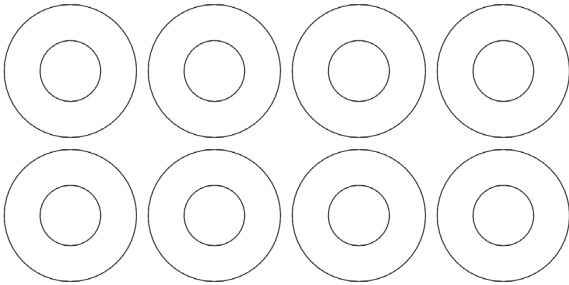




Hex Bolt  
5/16"-18 x 1"  
**(x4)**



Hex Nut  
5/16"-18  
**(x4)**



Flat Washer  
5/16"  
**(x8)**

