



SIGNATURE SERIES SKIDPLATE

SHORTY + MID/FULLWIDTH



SHORTY



MID/FULLWIDTH

ITEM NO.	PART NUMBER	DESCRIPTION	QTY.
1	2JSP1830-01BS	SIGNATURE SHORTY SKID PLATE - BARE STEEL OPTION	1
	2JSP1830-01BP	SIGNATURE SHORTY SKID PLATE - BLACK POWDER COAT OPTION	
2	2JSP1800-03	CROSS MEMBER	1

ITEM NO.	PART NUMBER	DESCRIPTION	QTY.
1	2JSP1840-01BS	SIGNATURE MID/FULL WIDTH SKID PLATE - BARE STEEL OPTION	1
	2JSP1840-01BP	SIGNATURE MID/FULL WIDTH SKID PLATE - BLACK POWDER COAT OPTION	
2	2JSP1800-03	CROSS MEMBER	1

OR

HARDWARE

ITEM NO.	PART NUMBER	DESCRIPTION	QTY.
3	FW4318ZP	FLAT WASHER Ø7/16 X 1.25" ZINC PLATED	8
4	HN3816ZPGR5	HEX NUT 3/8-16 ZINC PLATE GR5	2
5	HB381616ZPGR5	HEX BOLT 3/8-16 X 1.00 ZINC PLATE GR5	6

HARDWARE

ITEM NO.	PART NUMBER	DESCRIPTION	QTY.
3	FW4318ZP	FLAT WASHER Ø7/16 X 1.25" ZINC PLATED	8
4	HN3816ZPGR5	HEX NUT 3/8-16 ZINC PLATE GR5	2
5	HB381616ZPGR5	HEX BOLT 3/8-16 X 1.00 ZINC PLATE GR5	6

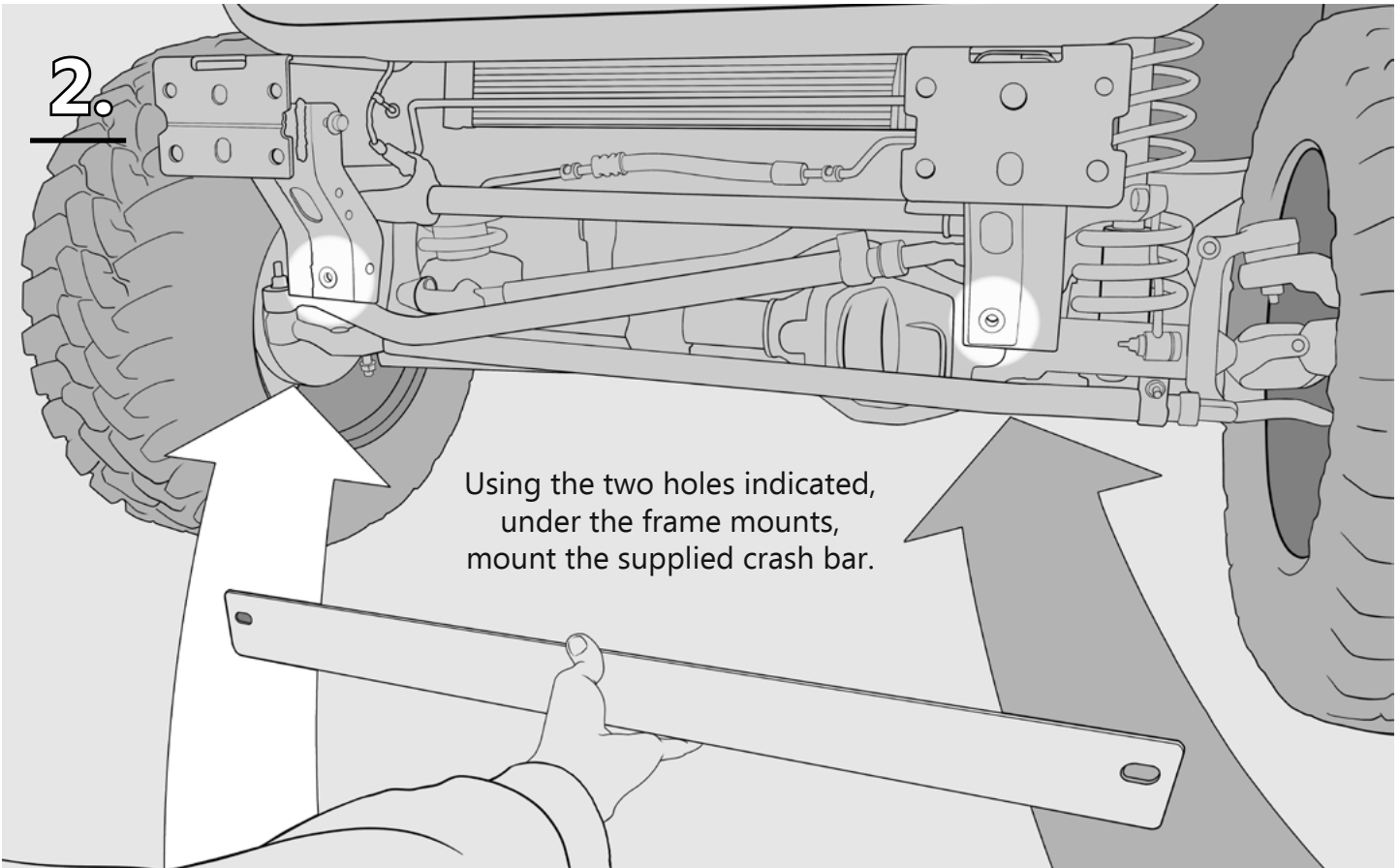


1.

First remove the crash bar, there are two bolts holding it on.

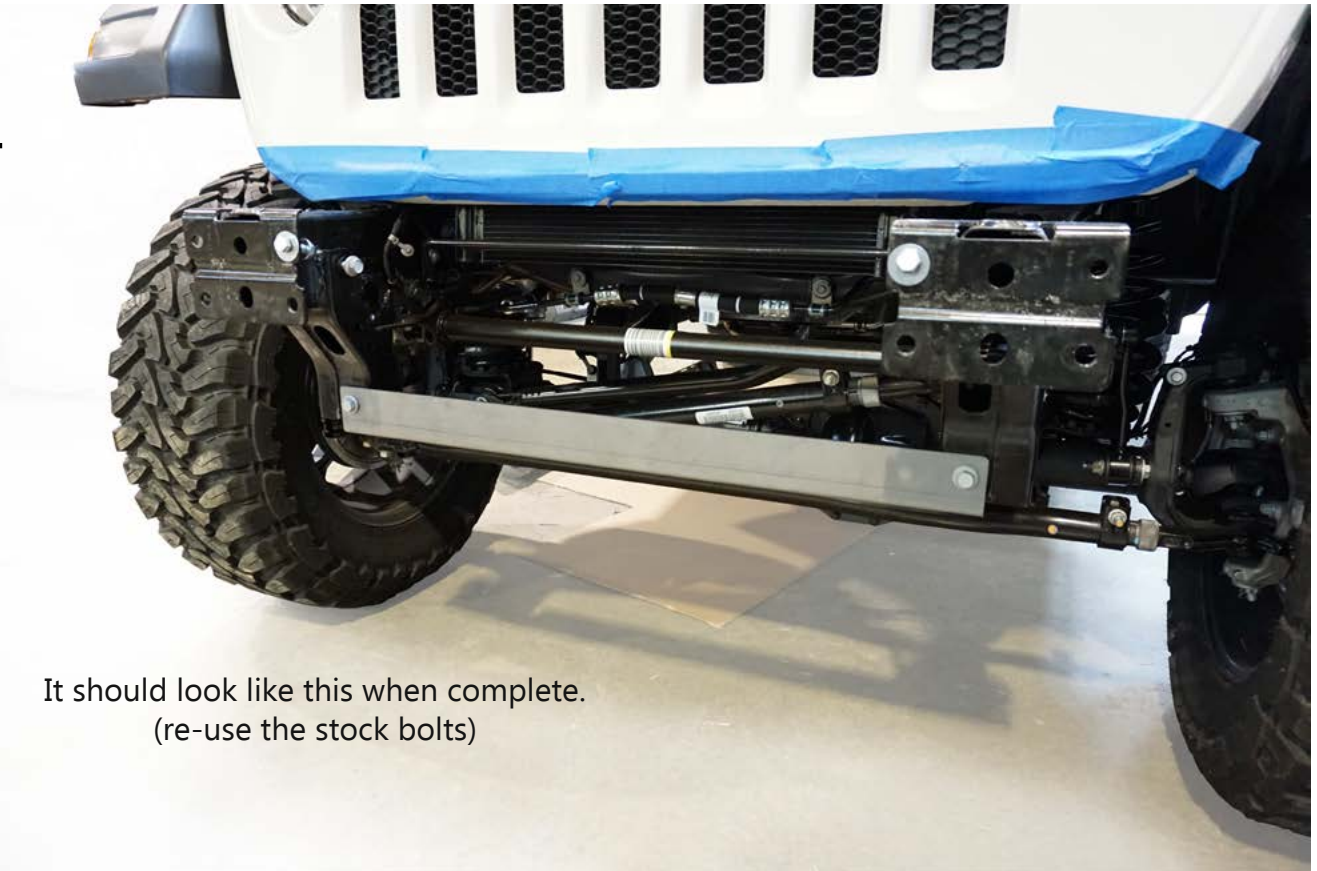
After the bolts are removed, you will shift the crash bar slightly up, then pull towards you to remove the tabs out of the opening.

2.



Using the two holes indicated,
under the frame mounts,
mount the supplied crash bar.

3.



It should look like this when complete.
(re-use the stock bolts)

4.

HOLD UP THE SKID PLATE TO THE BOTTOM OF THE BUMPER AND SECURE IT IN PLACE USING THE BOLTS AND WASHERS PROVIDED. YOU WILL NEED A 9/16" SOCKET FOR THE JOB.

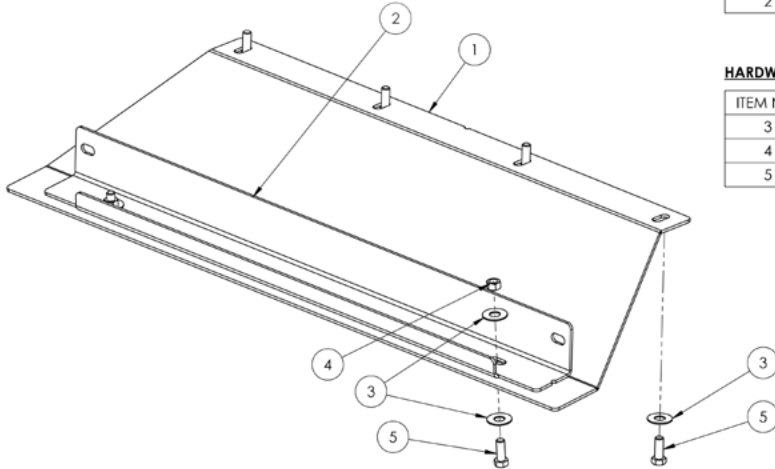


5.

SECURE THE SKIDPLATE TO THE LOWER CROSS MEMBER OF YOUR JK JEEP USING THE BOLTS AND WASHERS PROVIDED. YOU WILL NEED A 9/16" SOCKET FOR THIS JOB.



SHORTY



ITEM NO.	PART NUMBER	DESCRIPTION	QTY.
1	2JSP1830-01BS	SIGNATURE SHORTY SKID PLATE - BARE STEEL OPTION	1
	2JSP1830-01BP	SIGNATURE SHORTY SKID PLATE - BLACK POWDER COAT OPTION	
2	2JSP1800-03	CROSS MEMBER	1

HARDWARE

ITEM NO.	PART NUMBER	DESCRIPTION	QTY.
3	FW4318ZP	FLAT WASHER Ø7/16 X 1.25" ZINC PLATED	8
4	HN3816ZPGR5	HEX NUT 3/8-16 ZINC PLATE GR5	2
5	HB381616ZPGR5	HEX BOLT 3/8-16 X 1.00 ZINC PLATE GR5	6

NOTE:

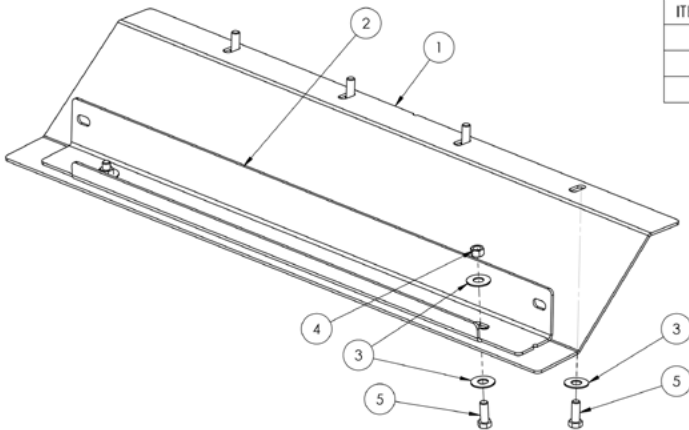
- 1. JSP1830 = BARE STEEL OPTION
- 2. JSP1831 = BLACK POWDER COAT OPTION

SIGNATURE SERIES SHORTY BOLT ON SKID PLATE

JSP18-SEE NOTE

OR

MID/FULLWIDTH



ITEM NO.	PART NUMBER	DESCRIPTION	QTY.
1	2JSP1840-01BS	SIGNATURE MID/FULL WIDTH SKID PLATE - BARE STEEL OPTION	1
	2JSP1840-01BP	SIGNATURE MID/FULL WIDTH SKID PLATE - BLACK POWDER COAT OPTION	
2	2JSP1800-03	CROSS MEMBER	1

HARDWARE

ITEM NO.	PART NUMBER	DESCRIPTION	QTY.
3	FW4318ZP	FLAT WASHER Ø7/16 X 1.25" ZINC PLATED	8
4	HN3816ZPGR5	HEX NUT 3/8-16 ZINC PLATE GR5	2
5	HB381616ZPGR5	HEX BOLT 3/8-16 X 1.00 ZINC PLATE GR5	6

NOTE:

- 1. JSP1840 = BARE STEEL OPTION
- 2. JSP1841 = BLACK POWDER COAT OPTION

SIGNATURE SERIES MID/FULL WIDTH BOLT ON SKID PLATE

JSP18-SEE NOTE

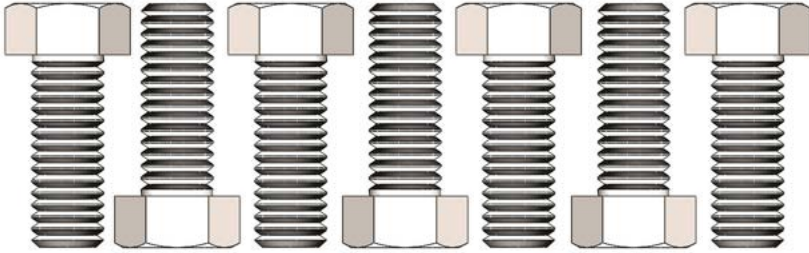


Signature Series Front Skidplate Shipping Slip

*please check contents when opening/assembling package

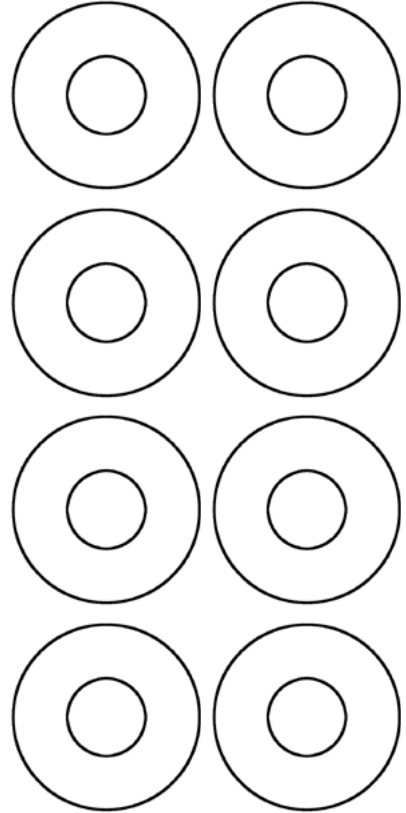
3/8"x1" Hex Head

(x6)



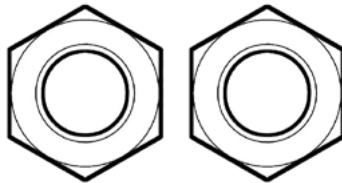
7/16" Washers

(x4)



3/8" Nuts

(x2)



Assembled By : _____

Date : _____