

# INSTALLATION GUIDE

## JT Gladiator Rear Bumper



# CONTENTS

## CONTENTS

Hardware List	Page 3
Bumper Removal	
Hardware and bumper removal	Page 4
Bumper Preperation	
Installation of wiring and lights	Page 5
Tread Plate and DSTC hardware	Page 6
Bumper Installation	
Rear Bumper Bracket Installation	Page 7-8
Front Bumper Installation	Page 9-10
Hardware Sheets	Page 11-12

## SKILL LEVEL - 4 STARS



- 1 STAR ★☆☆☆☆
- 2 STARS ★★☆☆☆
- 3 STARS ★★★☆☆
- 4 STARS ★★★★☆
- 5 STARS ★★★★★

- EASY - No tools required
- BASIC - Requires standard tools, basic mechanical knowledge and understanding
- MODERATE - Requires standard tools. Some drilling and/or cutting.
- ADVANCED - Requires speciality tools. Drilling, cutting, and/or welding
- EXPERT - Professional installation recommended.

## DISCLAIMER

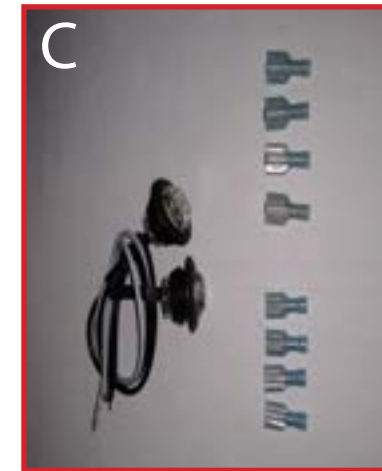
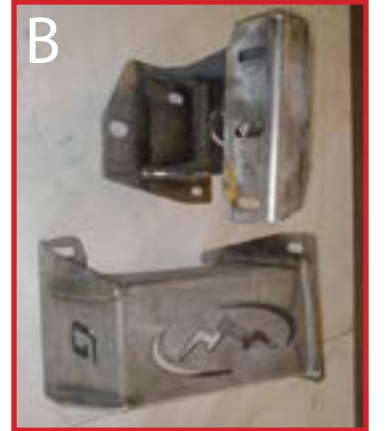
Expedition One is not responsible for any damages to vehicle or injury.  
We always recommend professional assistance when installing our vehicle products.

Always follow safety precautions including the use safety gear and devices.

# HARDWARE

## HARDWARE

ITEM	QTY
JT Gladiator Rear Bumper	1
<u>A</u> Rear Top (T) Mounting Brackets	2
<u>A</u> Rear Bottom (B) Mounting Brackets	2
<u>B</u> Rear Side Mounting Brackets	2
Rear Mounting Hardware	
1/2"-13 X 1 1/4" Hex Cap Bolts	2
1/2"-13 X 1 1/2" Hex Cap Bolts	10
1/2"-13 X 4 1/2" Hex Cap Bolts	2
1/2"-13 Nylock Nuts	12
1/2"-13 Nylock Jam Nuts	2
1/2" X 1.375" USS Washers	4
1/2" X 1.062" SAE Washers	24
3/8"-16 X 1 1/4" Hex Cap Bolts	6
3/8"-16 Nylock Nuts	6
3/8" X 1.000 USS Washer	16
M10-1.5 X 40mm Hex Cap Bolts	4
<u>C</u> License Plate Light Kit	
LED Light with Wiring	2
Male Connector	4
Female Connector	4
<u>D</u> Mid-Size Truck Drop Pin Plates	2
<u>D</u> Drop Pins	2
<u>E</u> Gladiator DSTC Tread Plate	1
Tread Plate Hardware	
1/4"-20 X 3/4" Hex Drive Button Head	20
1/4"-20 Nylock Nuts	20
Rear Bumper Sensor Plugs	4



# BUMPER REMOVAL

## 1 DISCONNECT WIRING HARNESS

Disconnect the rear bumper's parking sensors and license plate wiring harness via the driver and passenger side connectors located in the corner of the bumper.

## 2 REMOVE OEM BUMPER HARDWARE

Remove the rear bumper OEM hardware of 8 bolts - 2 each side (A), 2 center behind the rear license plate (B), and 2 below the rear license plate (C).

Rubicon models require the removal of 3 bolts each side located on the sides of the bumper (D).



## 3 REMOVE THE BUMPER

Remove the bumper for the vehicle, sliding it out to clear the tow hook(s). Unbolt the tow hook(s) by removing 2 bolts. Disconnect the OEM wiring harness and save for installation into the new bumper. Remove all 4 parking bezels and sensors.

# BUMPER PREPERATION

## 3 PARKING SENSOR INSTALLATION

Remove the OEM parkings covers and disconnect the parking sensors from the wiring loom. Install the all OEM parking sensor bevels as shown, before connecting the parking sensors.

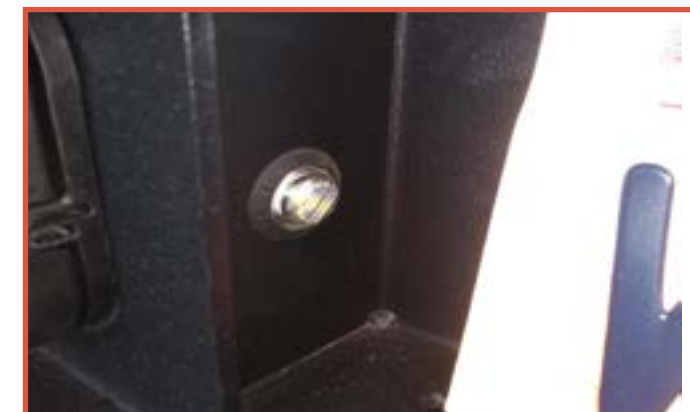


## 4 WIRING HARNESS INSTALLATION

Place the OEM wiring harness into the bumper, threading the wiring through so that connectors match there respective postions. Make sure the wiring harness connector is located on the drivers side of the vehicle. Reattach all 4 parking sensors. Avoid placing the wiring harness near mounting holes and visible cutouts.

## 5 LICENSE PLATE LIGHT INSTALLATION

Remove the original license plate lights by cutting off a small section of wire. Attach one set of connectors to the original wiring loom, connecting the opposite set to the provided lights. Insert the provided license plate light into the bumper. Connecting the wiring loom and light wires via the connectors. Do not match wiring by color, it is likely that you will need to connect opposite or different colors.



# BUMPER INSTALLATION

## 6 TREAD PLATE AND DROP PIN PLATE

Install the tread plate and drop pin plates to both sides using the provided hardware. Remove the plastic covering after installing the bumper.



## 7 INSTALLATION OF KICK PLATE HARDWARE

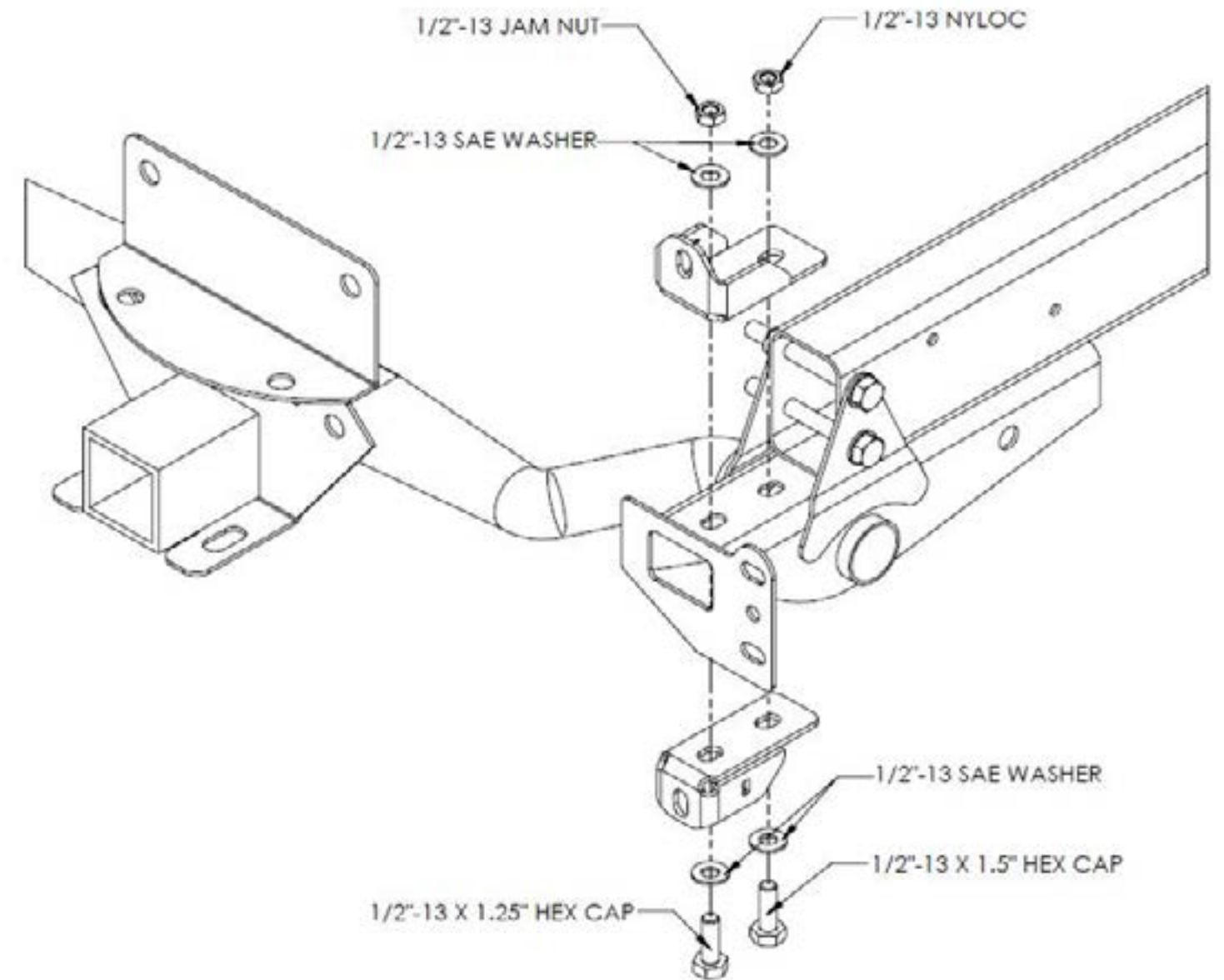
See DSTC instructions.

## 8 INSTALLATION OF REAR BUMPER BRACKETS

Mount the top (marked T) and bottom (marked B) brackets using the supplied hardware as shown on each side.

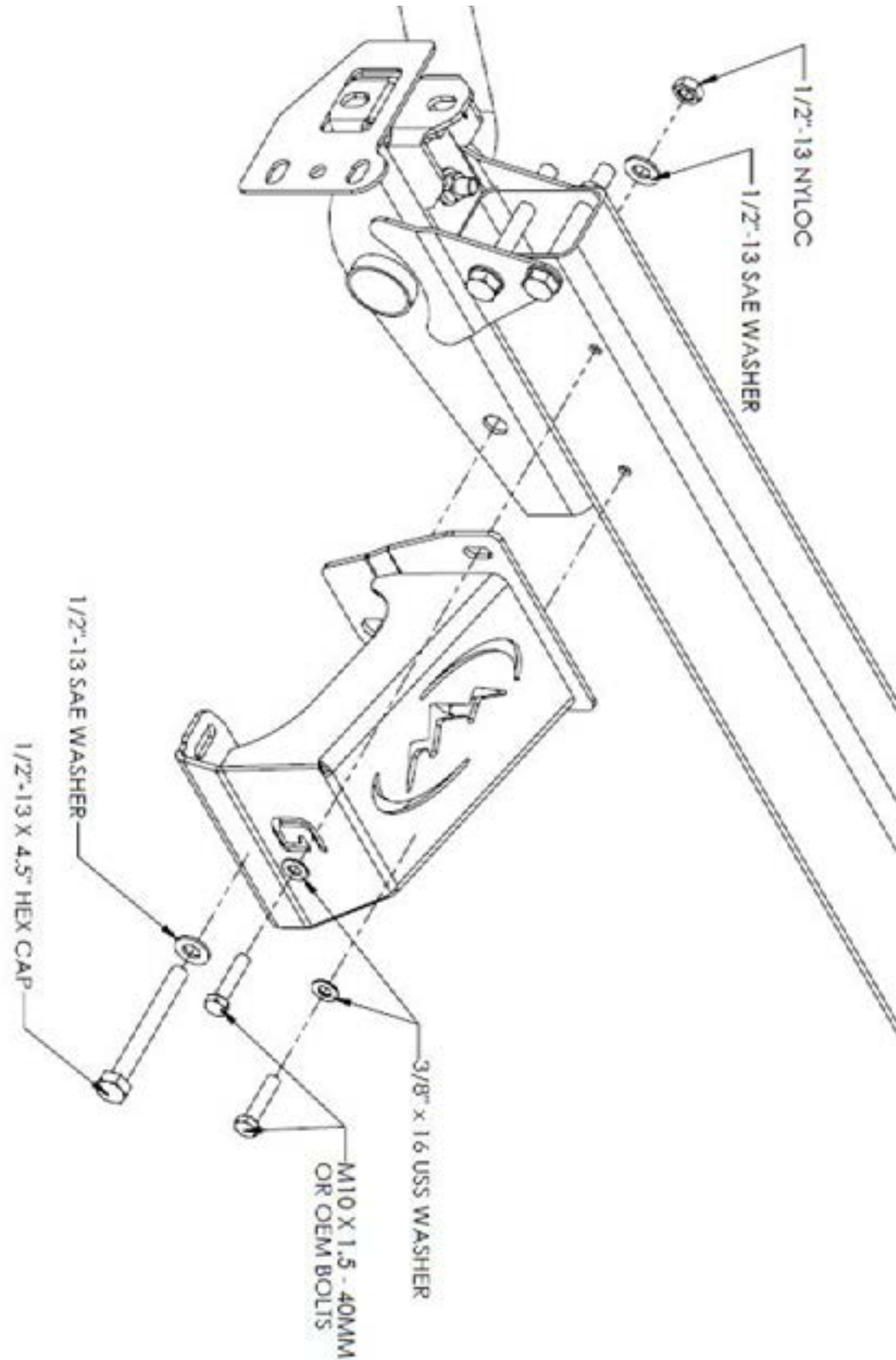


## INSTALLATION OF REAR BUMPER BRACKETS CONTINUED



## 9 INSTALLATION OF REAR BUMPER BRACKETS

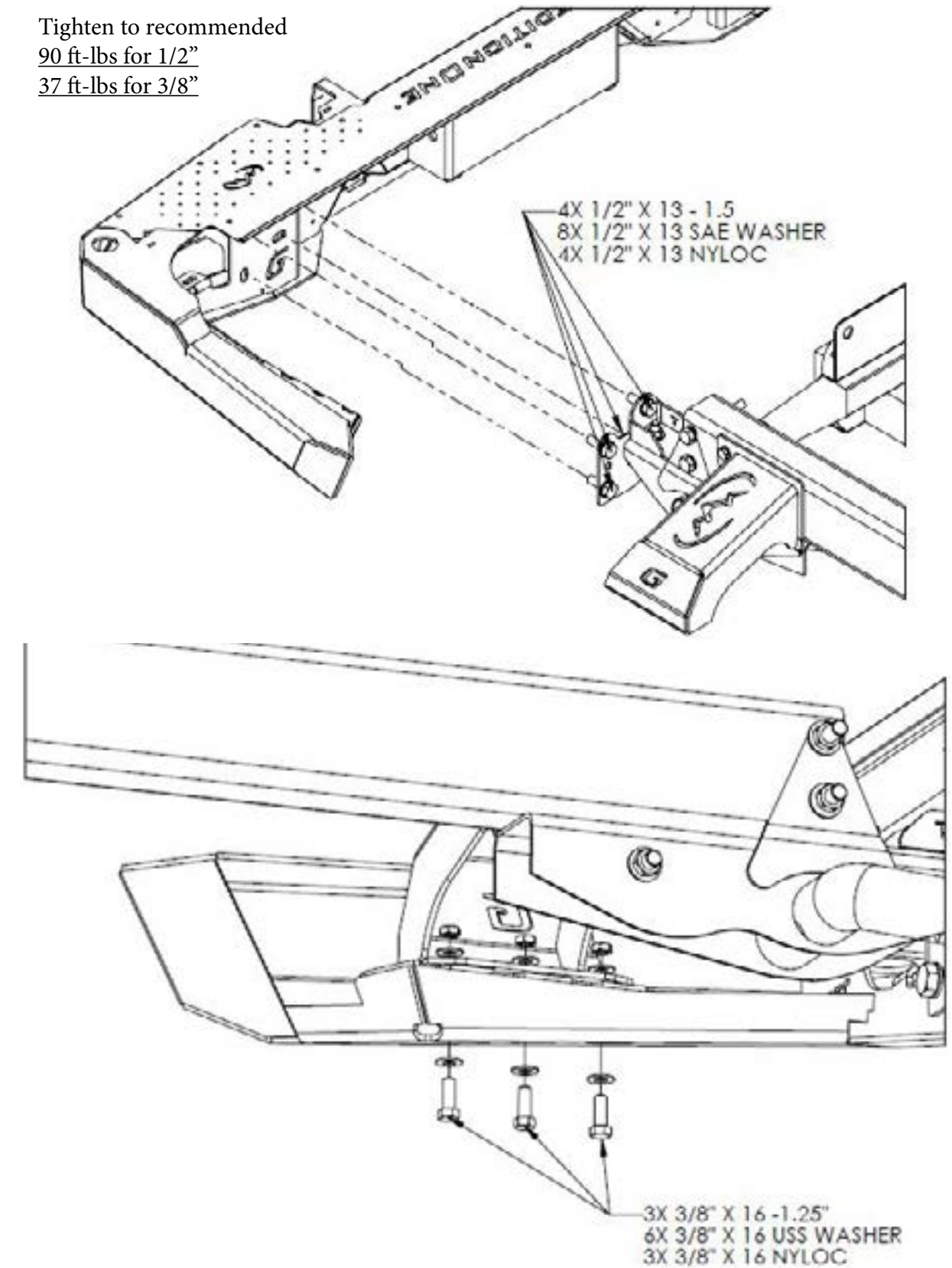
Mount both side brackets using the supplied hardware as shown.



## 10 INSTALLATION OF REAR BUMPER

Center the bumper with the vehicle and align gaps between the bumper to your preference before mounting. Mount the rear bumper using the supplied hardware as shown below.

Tighten to recommended  
90 ft-lbs for 1/2"  
37 ft-lbs for 3/8"



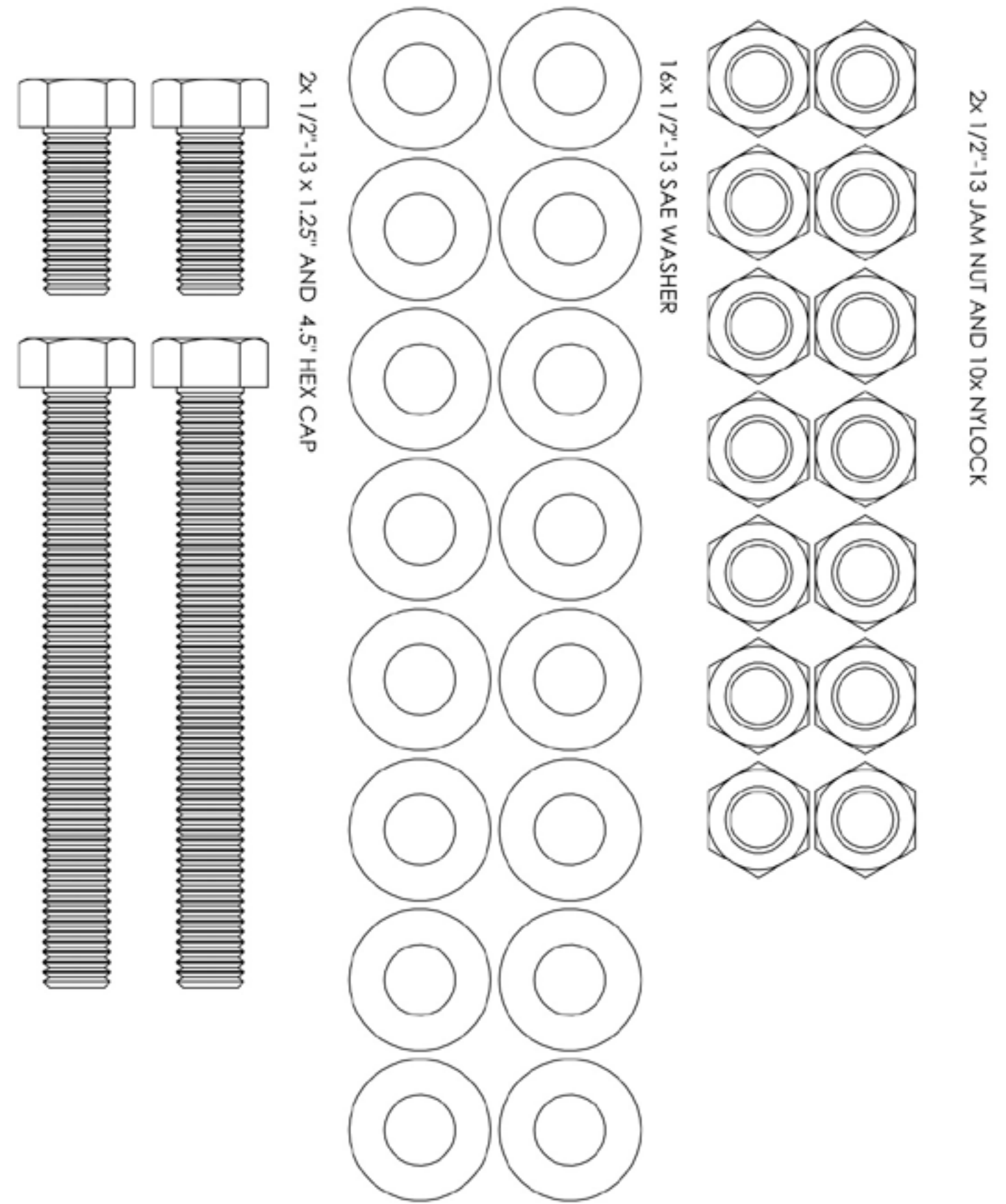
---

## 11 RECONNECT WIRING HARNESS

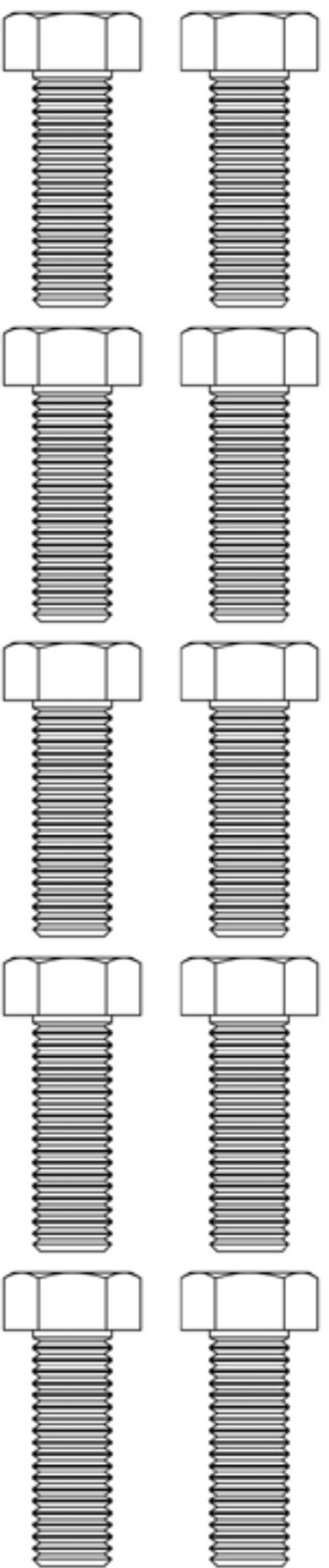
Reconnect the parking sensor and license plate light wiring harness to the vehicles electronics.

## 12 INSTALLATION OF DSTC SWING ARMS

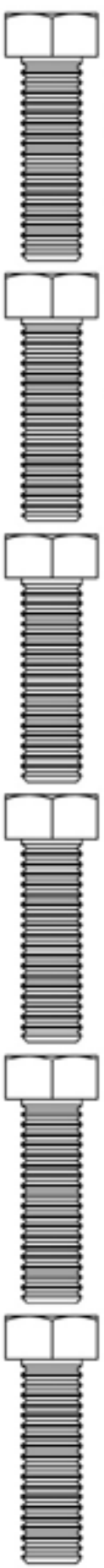
See DSTC instructions.



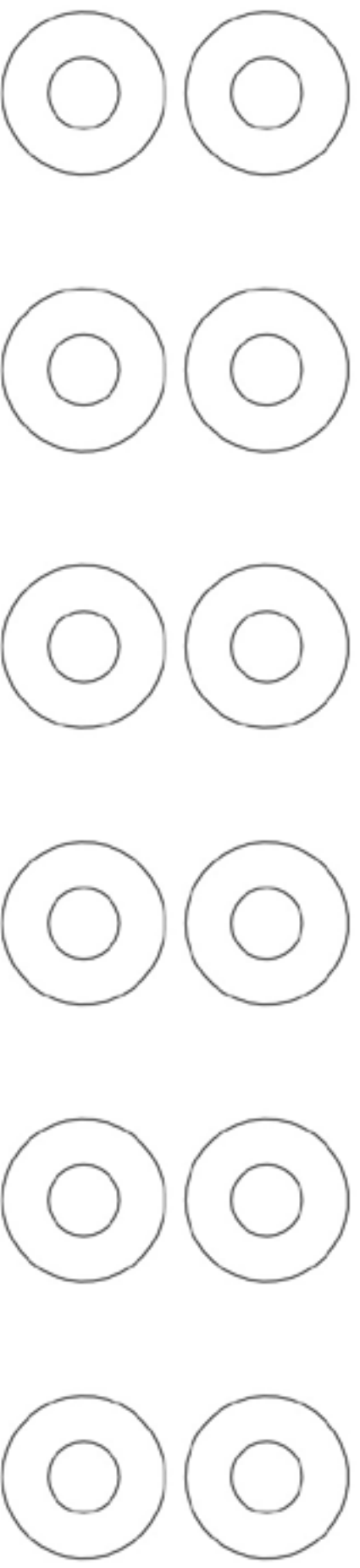
10x 1/2"-13 x 1.5" HEX CAP



6x 3/8" X 16 X 1.25" HEX BOLT



12x 3/8" USS WASHER



6x 3/8" X 16 NYLOCK

