



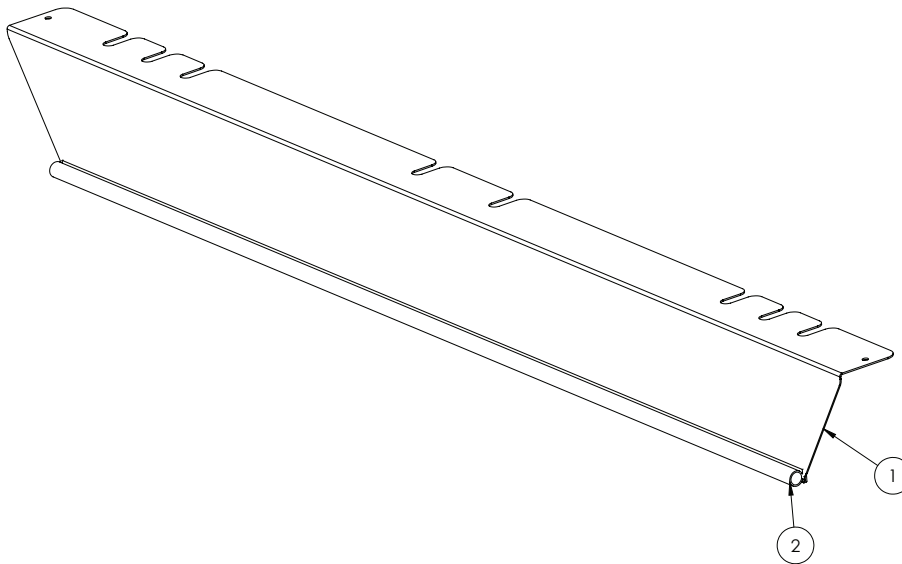

DESTROYER SERIES

JK


JK WIND DEFLECTOR

PLEASE READ THROUGH THE INSTRUCTIONS BEFORE BEGINNING ANY PART OF THE INSTALLATION PROCESS

ITEM NO.	PART NUMBER	DESCRIPTION	QTY.
1	2JWD0790-01	JK WIND DEFLECTOR	1
2	TR1002	RUBBER EDGE TRIM BULB SEAL	48"



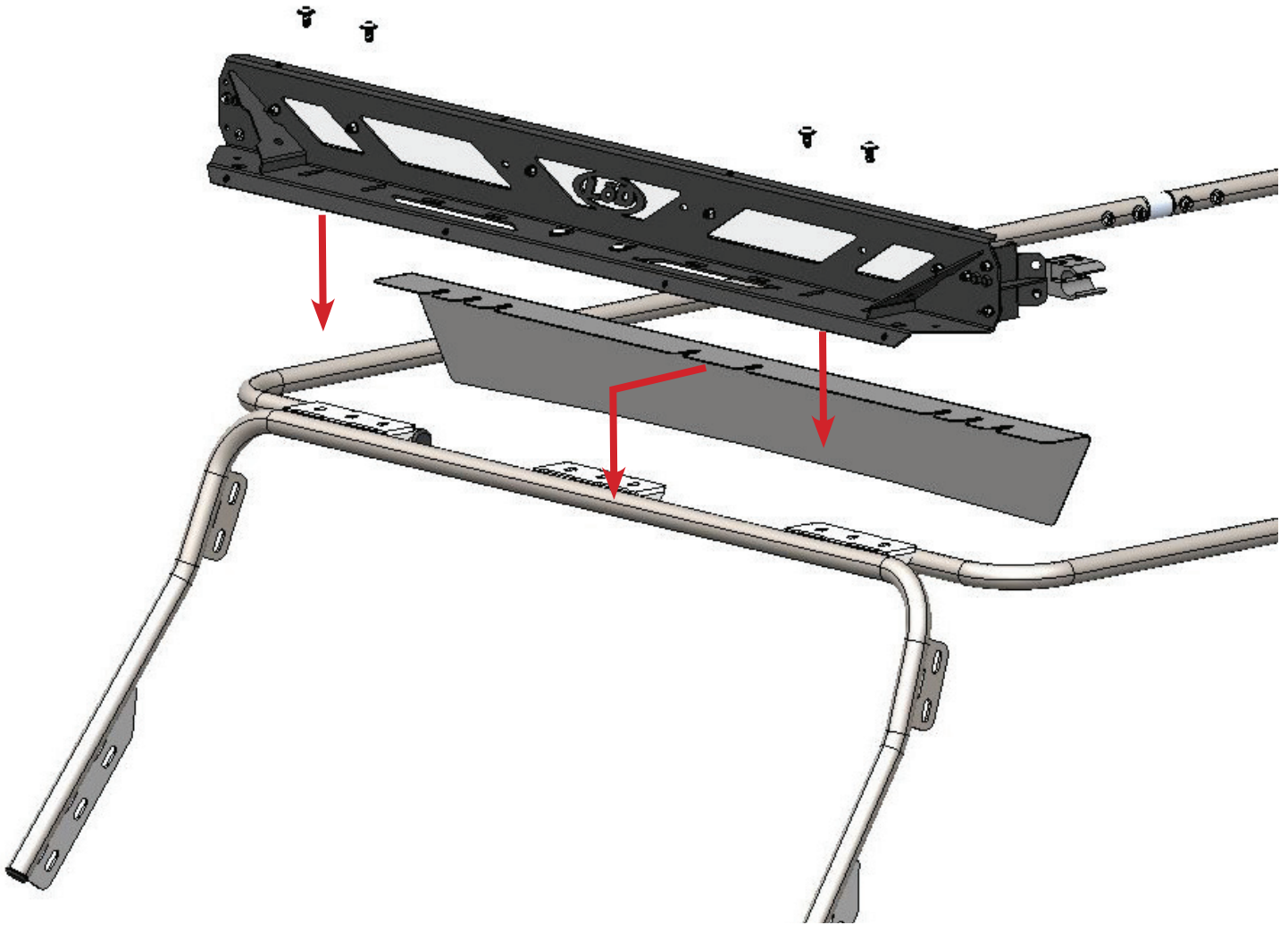
- NOTES:**
- JWD0790 = BARE STEEL OPTION
 - JWD0791 = BLACK POWDER COAT OPTION

UNLESS OTHERWISE SPECIFIED: DIMENSIONS ARE IN INCHES TOLERANCES: ±0.010 ANGULAR: MACH 2:1* TWO PLACE DECIMAL ±0.015 THREE PLACE DECIMAL ±0.005	NAME	DATE	LOD LLC. 
	DRAWN	MCH 9/3/2019	
	CHECKED		
	ENG APPR.		
PROPRIETARY AND CONFIDENTIAL THE INFORMATION CONTAINED IN THIS DRAWING IS THE SOLE PROPERTY OF LOD LLC. ANY REPRODUCTION IN PART OR AS A WHOLE WITHOUT THE WRITTEN PERMISSION OF LOD LLC IS PROHIBITED.	MFG APPR.		DESCRIPTION: JK WIND DEFLECTOR
	MATERIAL: N/A		DWG. NO. JWD0790 JWD0791
	FINISH: BLACK POWDER COAT		REV A
	ECD:	-	SCALE: 1:4
			SHEET SIZE: B
			SHEET 1 OF 1

Your Wind Deflector is installed between the Base Rack Windshield Hoop and the Slide Beam of the Sliding Rack Option.

Adjust the position of the Wind Deflector so that the Rubber Edge Trim is compressed against the windshield.

You can install the Wind Deflector at anytime simply by removing the 6 Button Head Screws. Carefully lift up on the Slide Beam and insert the Wind Deflector as shown below.





JK Jeep
DESTROYER SERIES
ROOF RACK
WIND DEFLECTOR
SHIPPING SHEET

Packaged by:

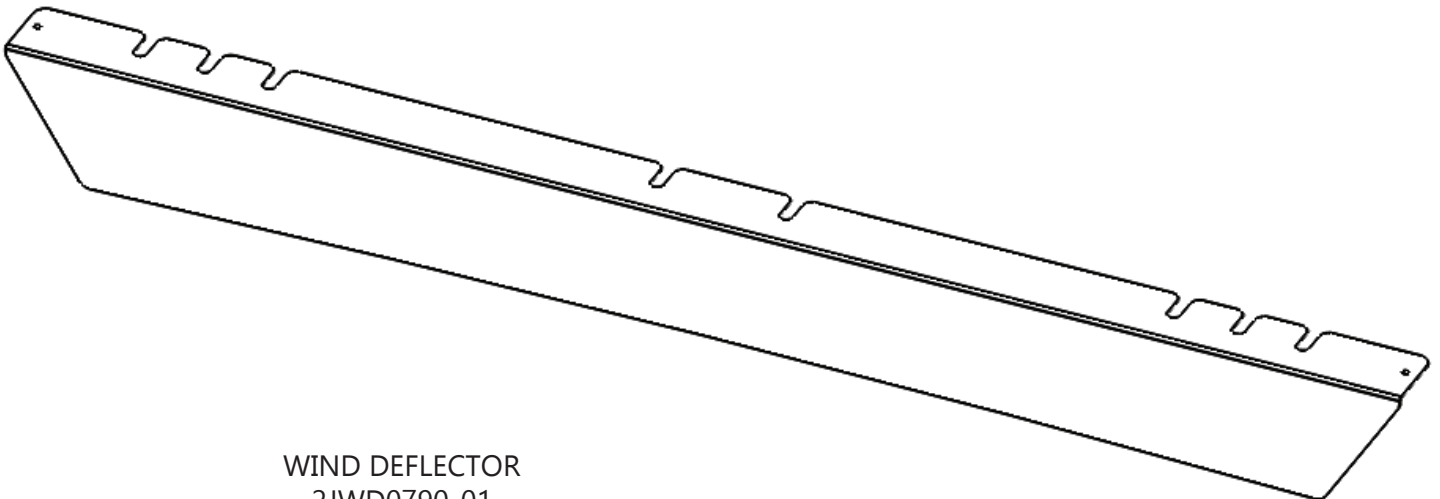
On:



Instruction
Booklet



BULB SEAL
TR1002
(48 INCHES)



WIND DEFLECTOR
2JWD0790-01

(X1)

