



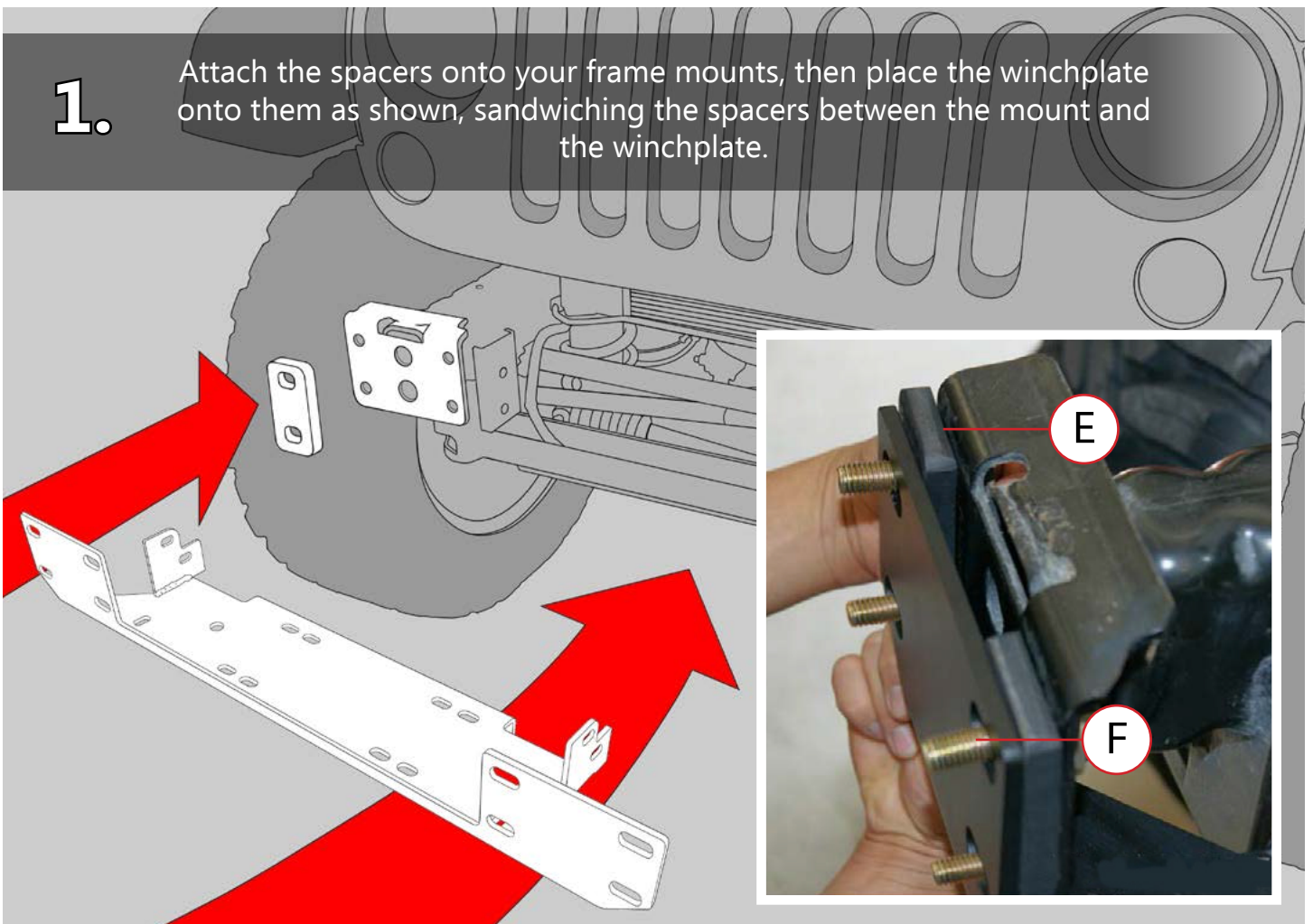
SIGNATURE
WINCHPLATE
INSTALL



****PLEASE READ THROUGH THE INSTRUCTIONS BEFORE BEGINNING ANY PART OF THE INSTALLATION PROCESS****

1.

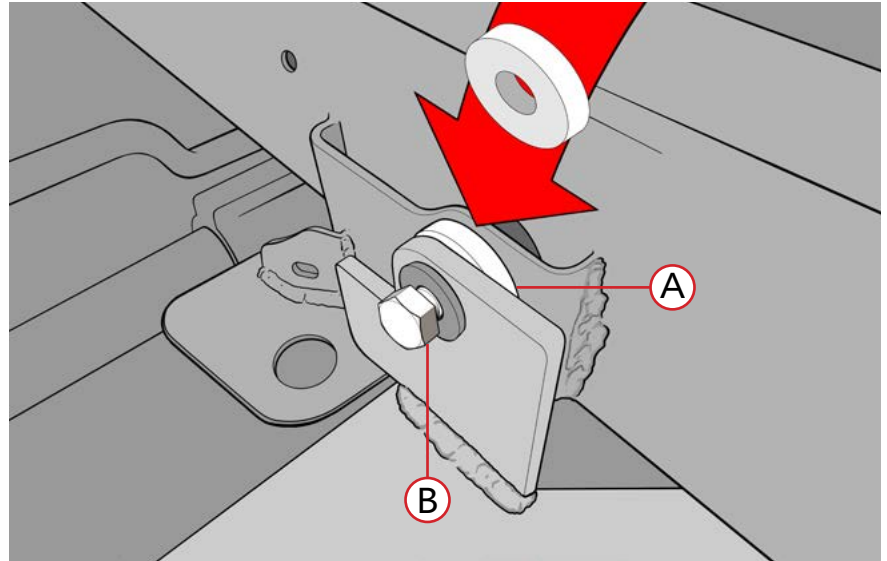
Attach the spacers onto your frame mounts, then place the winchplate onto them as shown, sandwiching the spacers between the mount and the winchplate.



2.

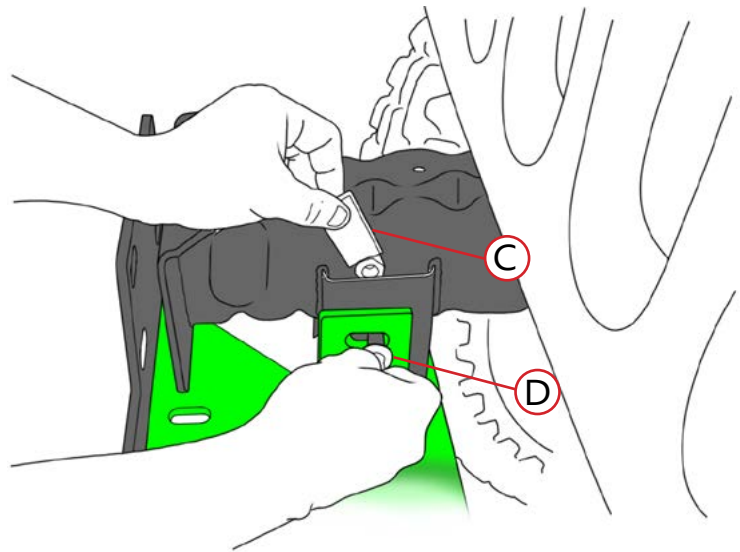
If you have a JL Jeep, secure the winchplate in place using the supplied spacer **"A"** and bolt/washer **"B"** to attach the side flaps of the winchplate to the frame.

For JK installation, see the next step



2a.

If you have a JK Jeep, secure the winchplate in place using the supplied tabbed washer **"C"** and bolt/washer **"D"**, to attach the side flaps of the winchplate to the frame.



3.

Using a 3/4" socket, tighten up the bolts in the frame rail mounts, as shown in this picture.

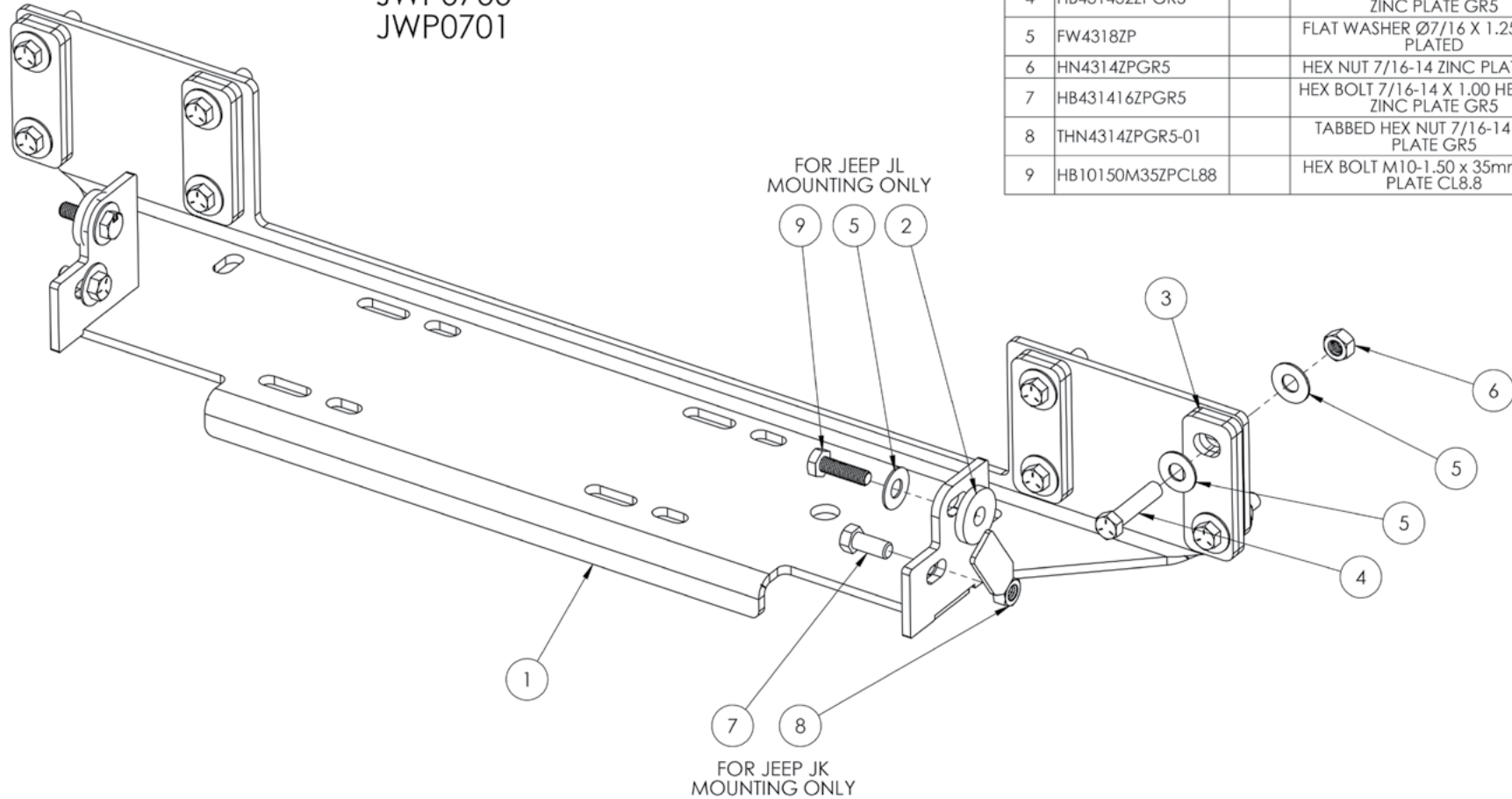


NOTE:

1. JWP0700 = BARE STEEL OPTION
2. JWP0701 = BLACK POWDER COAT OPTION

SIGNATURE SERIES WINCH PLATE

JWP0700
JWP0701



ITEM NO.	PART NUMBER	FINISH	DESCRIPTION	QTY.
1	4JWP0700	BS/BP	WINCH PLATE	1

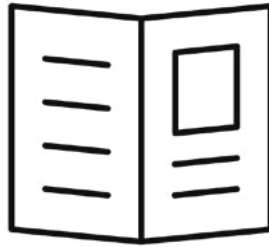
HARDWARE KIT

ITEM NO.	PART NUMBER	FINISH	DESCRIPTION	QTY.
2	2JWP1800-01	BP/ZP	SPACER WASHER	2
3	4JWP0700-02	BP/ZP	WINCH PLATE SPACER WELDMENT	4
4	HB431432ZPGR5		HEX BOLT 7/16-14 X 2.00 HEX BOLT ZINC PLATE GR5	8
5	FW4318ZP		FLAT WASHER Ø7/16 X 1.25" ZINC PLATED	20
6	HN4314ZPGR5		HEX NUT 7/16-14 ZINC PLATE GR5	8
7	HB431416ZPGR5		HEX BOLT 7/16-14 X 1.00 HEX BOLT ZINC PLATE GR5	2
8	THN4314ZPGR5-01		TABBED HEX NUT 7/16-14 ZINC PLATE GR5	2
9	HB10150M35ZPCL88		HEX BOLT M10-1.50 x 35mm ZINC PLATE CL8.8	2

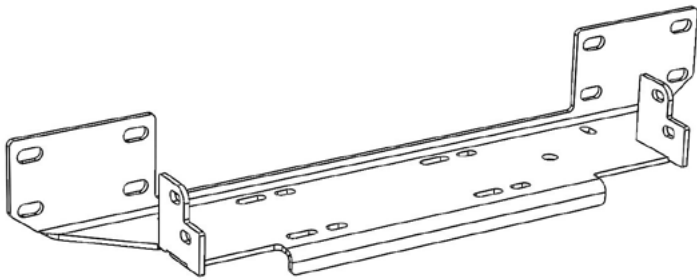


**JK/JL Jeep
Signature Series
Winchplate
Shipping Sheet**
Packaged by:

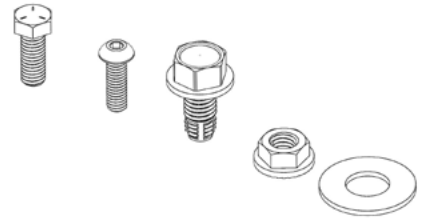
On:



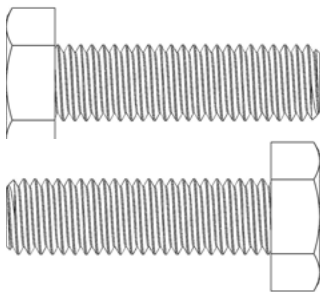
Install Instruction Booklet



Winchplate



Hardware Kit
(contents may vary)



Hex Bolt
M10-1.5 x 35mm
(2)

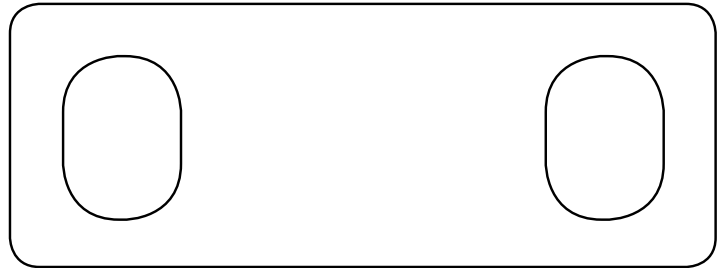
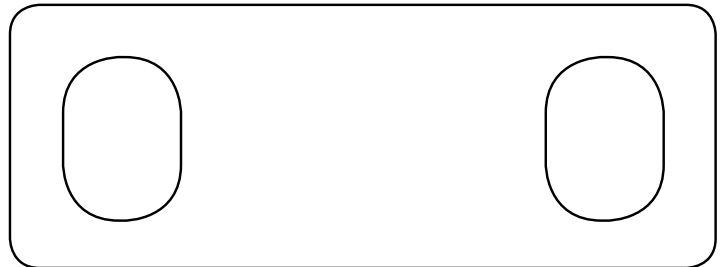
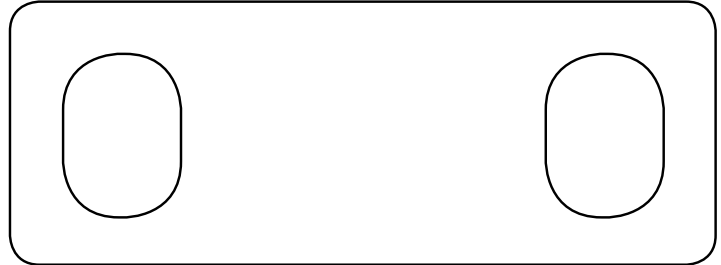
B



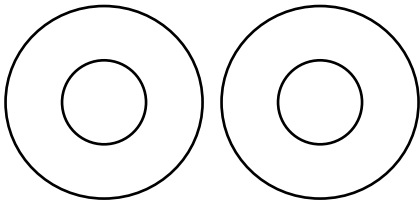
**JK/JL Jeep
Signature Series
Winchplate
Hardware Sheet**

Packaged by:

On:

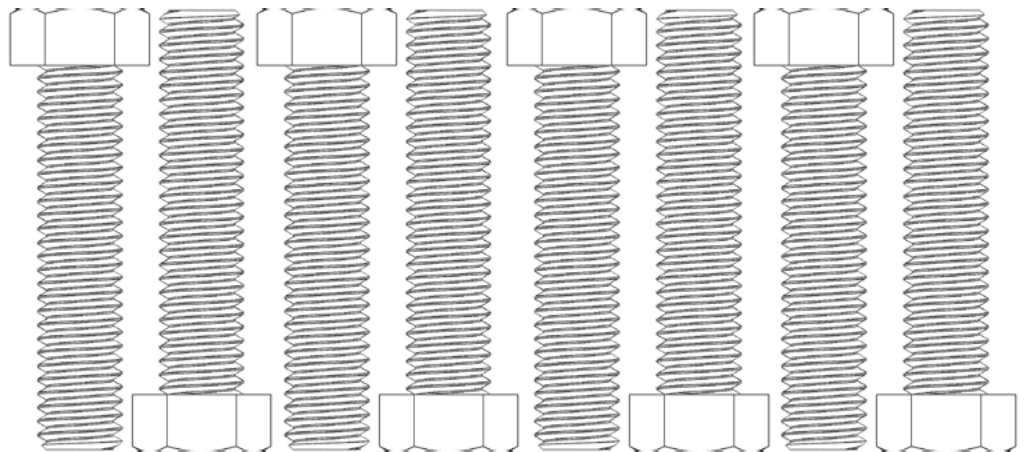


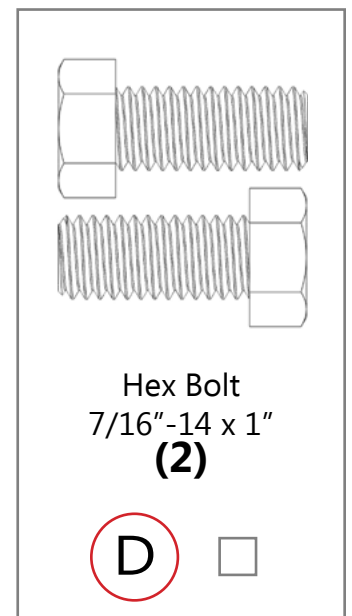
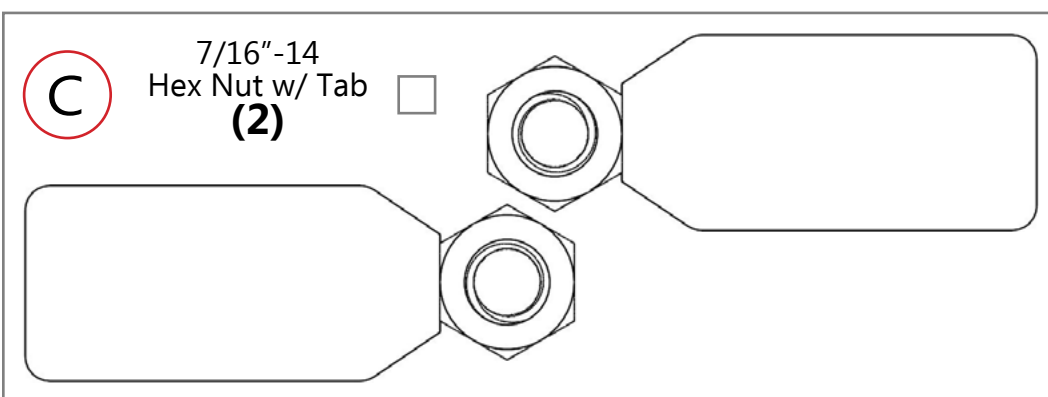
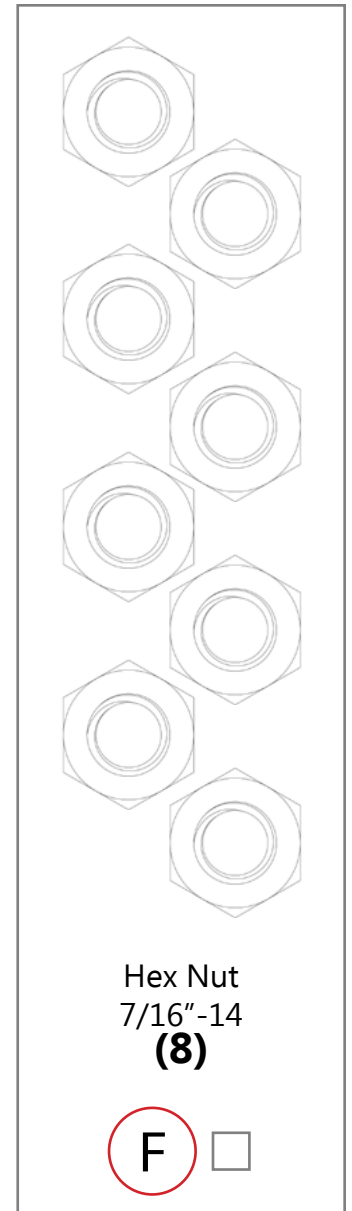
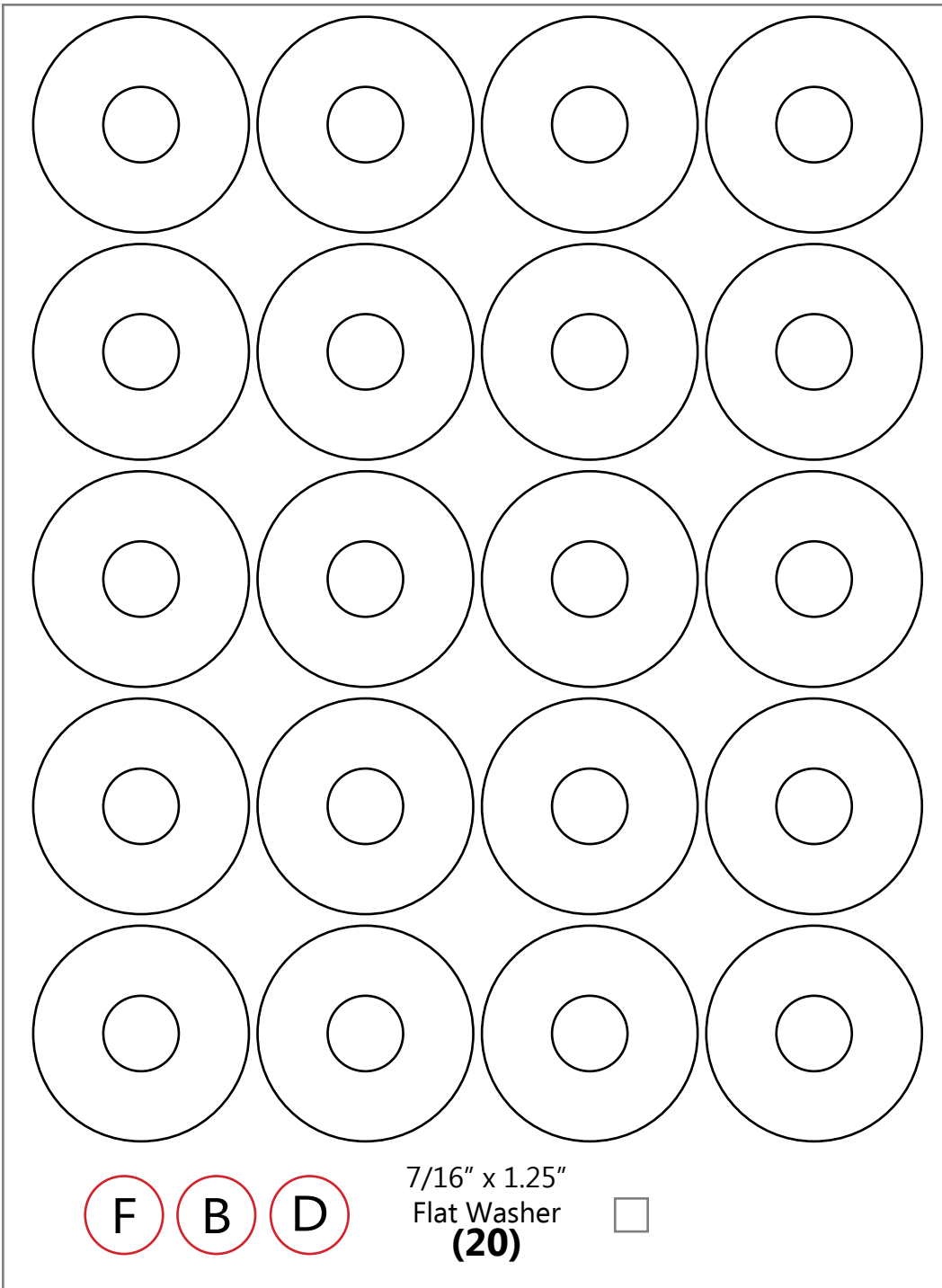
A Spacer Washer
7/16" x 1.5" x 0.25"
(2)



E 0.5" Spacer Weldments **(4)**

F
Hex Bolt
7/16-14 x 2
(2)





Rely only on high-grade off-road bumpers offered on our virtual shelves.