

## OVERHEAD MOLLE PANEL

21+ FORD BRONCO

MPBR-04



### TOOLS REQUIRED

- Trim Clip Tool
- #4 Allen Bit
- 13mm Socket
- 8mm Wrench

### SKILL LEVEL

- Novice/Intermediate
- 1 (you) to 2 persons

Little skill level required, you can easily install it by yourself however, additional help will be useful

### TIME REQUIRED

- 1 Hour

Time to install this should only take about an hour

## WARNINGS/CAUTIONS BEFORE STARTING INSTALLATION

Before you install this kit – Read and understand all instructions, warnings, cautions, and notes contained in this installation instruction guide. Consult your vehicle owner’s manual for proper disconnection of electrical and lifting of vehicle if required for installation of this product.

This install may require some technical skills and knowledge of basic mechanical work. If you do not feel that you are capable of performing this install please take this product to a trained professional.

After reading this guide please contact us with any questions or concerns before installing product.  
Customer Service: 855-680-9595

*DV8 Offroad is not responsible for any bodily injury or harm to you or your vehicle as a result of an improper install.*

Proper installation of this kit required knowledge of the factory recommended procedures for removal and installation of original equipment components. We recommend that the factory shop manual and any special tools needed to service your vehicle be on hand during the installation. Installation of this kit without proper knowledge of the factory recommended procedures may affect the performance of these components and the safety of the vehicle

- Always wear eye protection when operating power tools

*Inspect all contents of this package to make sure product is not damaged and all installation hardware has been included. If parts are missing from kit, please be prepared to provide the following information*

1. Name of purchase location
2. Bar Code on side of box
3. Date above bar code
4. Date inside box cover

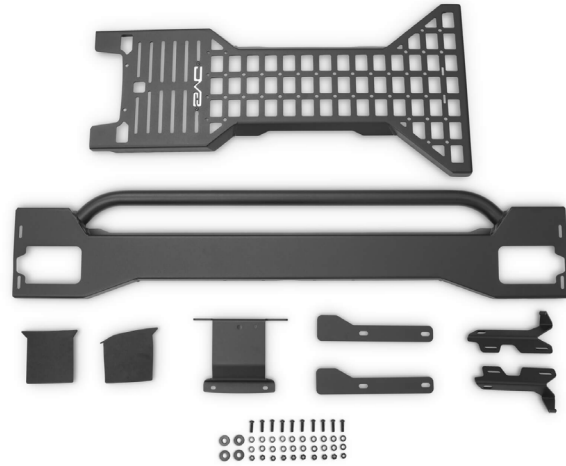


# INSTALLATION MANUAL

Begin by unpacking all items and inspecting for missing pieces or damage. If you have any concerns, please contact the company the product was purchased from. Extra hardware may be included with the product.

## HARDWARE INCLUDED

- (4) M8x80 Hex
- (4) M8 Flat Washers
- (4) M8 Spring Washers
- (10) M6x20 Allen
- (10) M6 Flat Washers
- (20) M6 Flat Washers



**STEP 1** | Use a trim clip tool to release the panel covering the bolt that secures the sun visor catch to the overhead windshield trim.



**STEP 2** | Use a "L" shaped T-20 torx bit to remove the sunvisor catch for both sun visors.



# INSTALLATION MANUAL

**STEP 3** | Pull down on center of the overhead windshield to release the clips that are securing it to windshield.



**STEP 4** | Apply the provided foam to both sides of the front mounting bracket.

This will be the squarish shaped bracket with four mounting holes.





## INSTALLATION MANUAL

**STEP 5** | Use a T50 torx bit to remove two bolts securing the soft/hard top mounting brackets.



**STEP 6** | Use a 10mm wrench to remove the nut located between the bolts removed in step 5.



**STEP 7** | Install the front mounting bracket as shown and secure using the factory hardware with a T50 torx bit and a 10mm wrench.



# INSTALLATION MANUAL

**STEP 8** | Push the trim back into place until the clips are secured.



**STEP 9** | Install the sun visor catches using a "L" shaped T20 torx bit.



## INSTALLATION MANUAL

---

**STEP 10** | For hardtop models, remove the rear two factory bolts on each side securing the hardtop mounting brackets using a T50 torx bit.



**STEP 11** | Use a 8mm wrench to remove the bolt on the interior of the roll bar.





# INSTALLATION MANUAL

**STEP 12** | Install the rollbar brackets using the factory hardware and make sure the bracket grabs the slotted hole on top of the roll bar.

Leave it loose.



Loosely install the pressure plate.

For hardtop models, use the factory hardware with a T50 torx bit.

For soft top models, utilize the provided spacers underneath the pressure mounting plate and loosely secure using the provided M8 hardware with a 13mm socket.



# INSTALLATION MANUAL

**STEP 13** | Loosely install the cross bar with tube facing the rear of the vehicle using the provided M6 hardware.



**STEP 14** | Install molle panel and loosely secure it to the front mount and cross brace using the provided M6 hardware.



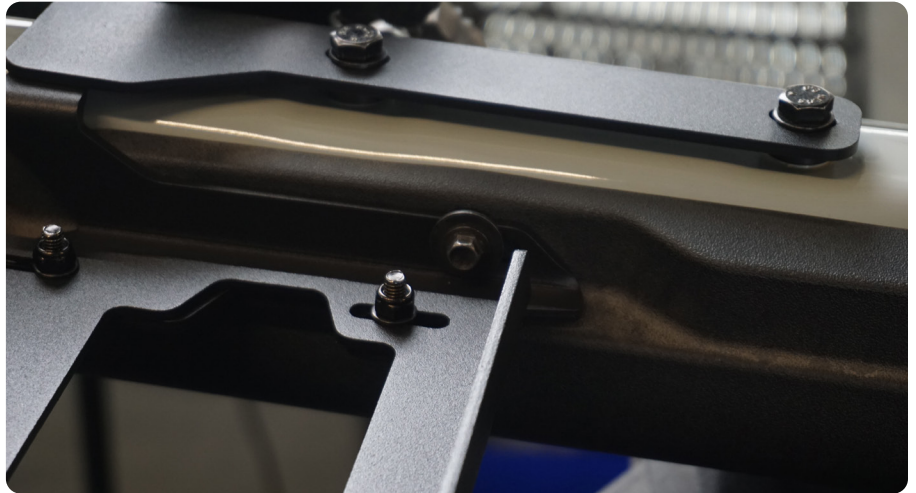


## INSTALLATION MANUAL

**STEP 15** | Use a #4 allen bit and 10mm wrench to secure the hardware holding the crossbrace to the roll bar mounting bracket.



**STEP 16** | Use an 8mm wrench to secure the factory hardware holding the roll bar bracket to the roll bar.



**STEP 17** | Use a 13mm socket or T50 torx bit to secure the hardware holding the mounting plate to the rollbar.

This will help secure the roll bar mounting bracket to the roll bar.



## INSTALLATION MANUAL

---

**STEP 18** | Secure the M6 hardware at the front and rear of the molle panel using a #4 allen bit and 10mm wrench.



# INSTALLATION MANUAL

**STEP 19** | Congrats! You are finished with the install of the 21+ Bronco Overhead Molle Panel.

