

INSTALLATION GUIDE

MULE BED RACK - MAP PANEL - BAKI SYSTEM



CONTENTS

FOR USE ON TRUCK BED RACK SYSTEMS - ORDER DEPENDENT HARDWARE

ITEM	QTY		
BED TOWER		MAP PANEL	
Bed Tower	4	MAP Panel	2
Bed Tower Riser	4	MAP Panel Brackets	4
Bed Tower Cover Plate with Badge	4		
End Caps	4	MAP PANEL HARDWARE	
		5/16" - 18 X 3/4" Hex Cap Bolt	24
BED TOWER HARDWARE		5/16" - 18 Nyloc Nut	24
1/4" - 20 X Button Head	16	5/16" USS Washer	48
5/16" - 18 X 3/4" Carriage Bolt	16		
5/16" - 18 X 3/4" Hex Cap Bolt	16	BAKI RACK	
5/16" - 18 X 3/4" Button Head	32	BAKI RACK Panels	2
5/16" - 18 Nyloc Nut	32	BAKI RACK Panel Plate	2
5/16" SAE Washer	48		
		BAKI RACK HARDWARE	
BED TOWER MOUNTING		5/16" - 18 x 3/4" Button Heads	16 - Medium Bed Racks
BED TOWERS CLAMPS			24 - Large Bed Racks
5/16" USS Washer	24		
3/8" - 16 X 1 1/4" Hex Cap Bolt	8	5/16" - 18 X 1" Carriage Bolt	8
3/8" - 16 X 1 1/2" Hex Cap Bolt	4	5/16" - 18 Nyloc Nut	8
3/8" - 16 Nylock Nut	12	5/16" USS Washer	8
IN BED RAIL		LOAD BARS *	
RAIL INSERT WITH CLAMP		Medium Bed Rack - 55" Bar	2 / 4 with Baki
5/16" - 18 X 3/4" Carriage Bolt	8	Large Bed Rack - 64" Bar	2 / 6 with Baki
5/16" - 18 Nylock	8		

SKILL LEVEL - 3 STARS



1 STAR

EASY - No tools required

2 STARS

BASIC - Requires standard tools, basic mechanical knowledge and understanding

3 STARS

MODERATE - Requires standard tools. Some drilling and/or cutting.

4 STARS

ADVANCED - Requires speciality tools. Drilling, cutting, and/or welding

5 STARS

EXPERT - Professional installation recommended.

DISCLAIMER

Expedition One is not responsible for any damages to vehicle or injury.

We always recommend knowledgeable professional assistance when installing our vehicle products.

Always follow safety precautions including the use safety gear and devices.

Exact load bar dimensions may vary due to the manufacturing process

BED TOWER INSTALLATION

1 INSTALLATION

NON - BED RAIL SYSTEMS

Place bed rack tower on to the truck bed cap as shown below. Attach the clamp by first removing the two side bolts from the assembly and slide the clamp over the tower and bed cap. You may need to loosen hardware holding the assembly to do this. Insert the two side bolts and tighten the assembly (bottom right) to clamp the bed tower to the truck bed before tighten the side hardware. Repeat for all towers.



IN BED RAIL SYSTEMS

Remove stock rail clip shown. Next assemble the rail insert with the provided hardware and slide the assembly to the location of the bed tower. Attach the clamp piece over the bed tower and tighten into place with the provided nylock hardware. Repeat for all towers.



2 TOWER RISERS AND COVER PLATE

Attached the bed tower risers to the back of bed towers at the desired height. Mount into using four the provided hardware 5/16" hardware. Once Secured into place mount the bed tower cover plate using the 1/4" hardware. Repeat for all towers.

Skip step 3 if mounting a Baki Rack System.



3 LOAD BAR MOUNTING

Slide the provided carriage bolts into the outside slots of the load bar. Evenly space the load bar atop the towers risers and securely fasten all hardware. Repeat for the remaining load bar. Once done mount the load bar end caps to each end using 5/16" hardware.



MAP PANEL ASSEMBLY

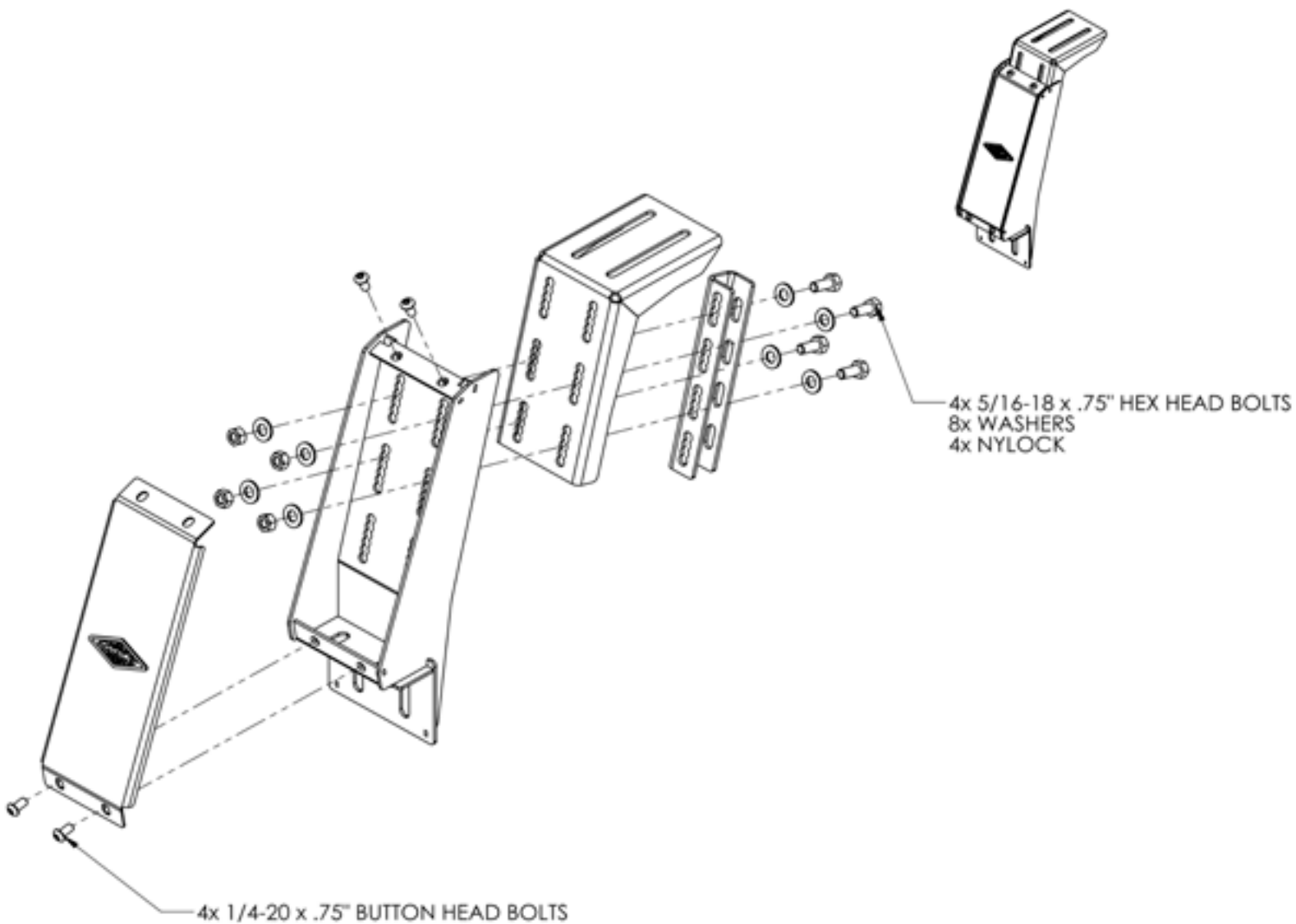
1 BED TOWER INSTALLATION

SEE BED TOWER INSTRUCTIONS FOR TOWER ASSEMBLY AND MOUNTING

Leave the towers loose to allow for adjustment to fit the MAP panel during installation. Tighten all clamp hardware once the MAP panel is installed. If already installed remove the tower covers to mount the MAP panel Brackets in step 2

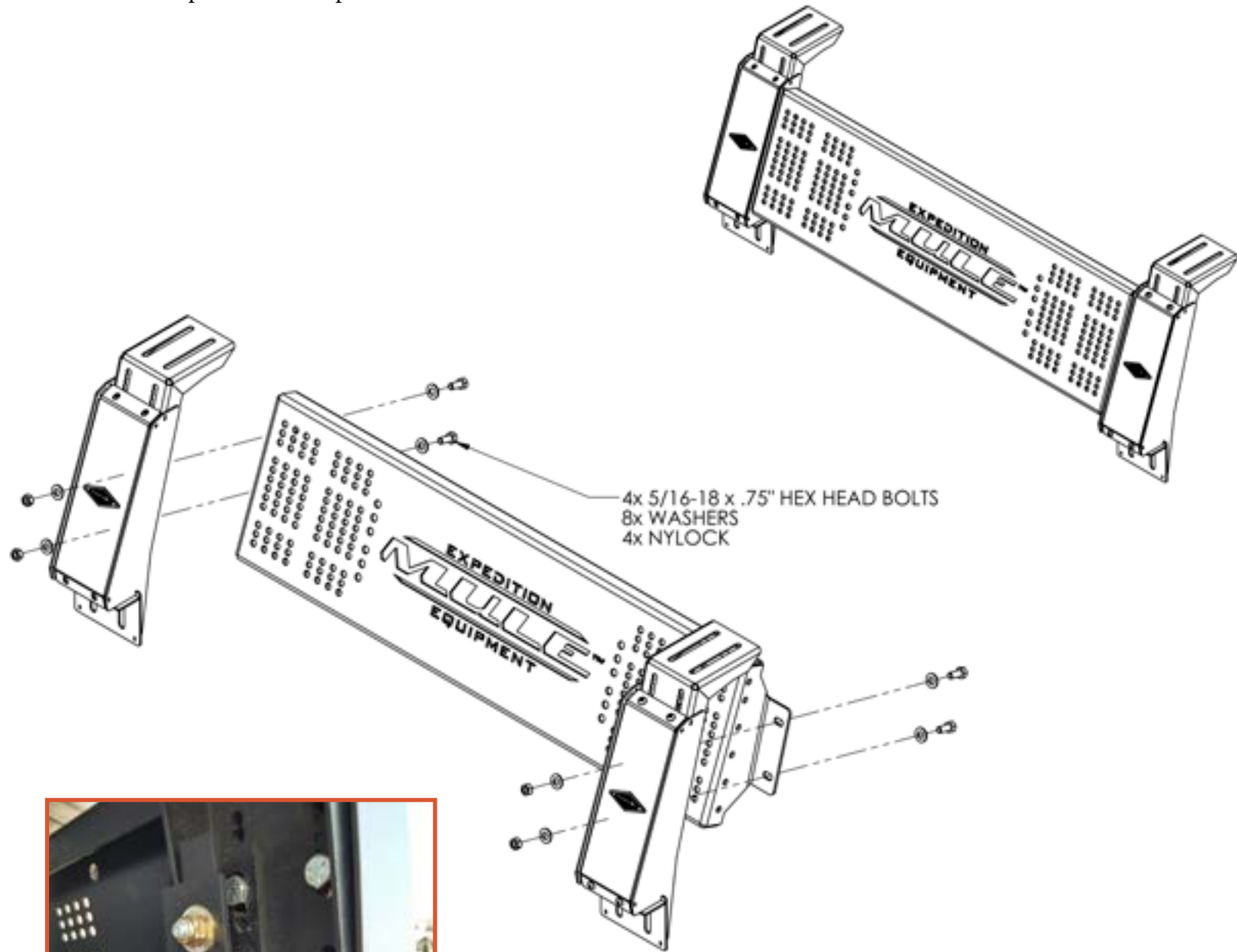
2 MAP BRACKET MOUNTING

Mount the MAP panel brackets as shown to the inside of all bed towers using the provided hardware. Ensure that all brackets are mounted to the same locations and test fit the MAP panels to test clearance with the vehicle and mounting hole alignment. Reattach the tower cover plates once finished. Repeat this step for all 4 towers.



3 MAP PANEL ATTACHMENT

Mount the MAP panels to the MAP panel brackets using the provided hardware shown below. Repeat this step for the other panel.



BAKI RACK ASSEMBLY

1 BAKI RACK AND LOAD BAR INSTALLATION

Preassemble the BAKI rack by first positioning the 5/16" carriage bolts in the slots at both ends of the 2 end load bars. Next mount all load bars as shown to the the BAKI rack panels. Placing the BAKI panel / load bar plate between the ends of the load bars and the BAKI panel. Once completed place the BAKI panel / load bar assembly onto the bed towers. Adjust for alignment and square up the rack before mounting. Tighten all hardware.

MEDIUM BED RACK SHOWN

Medium Bed Racks

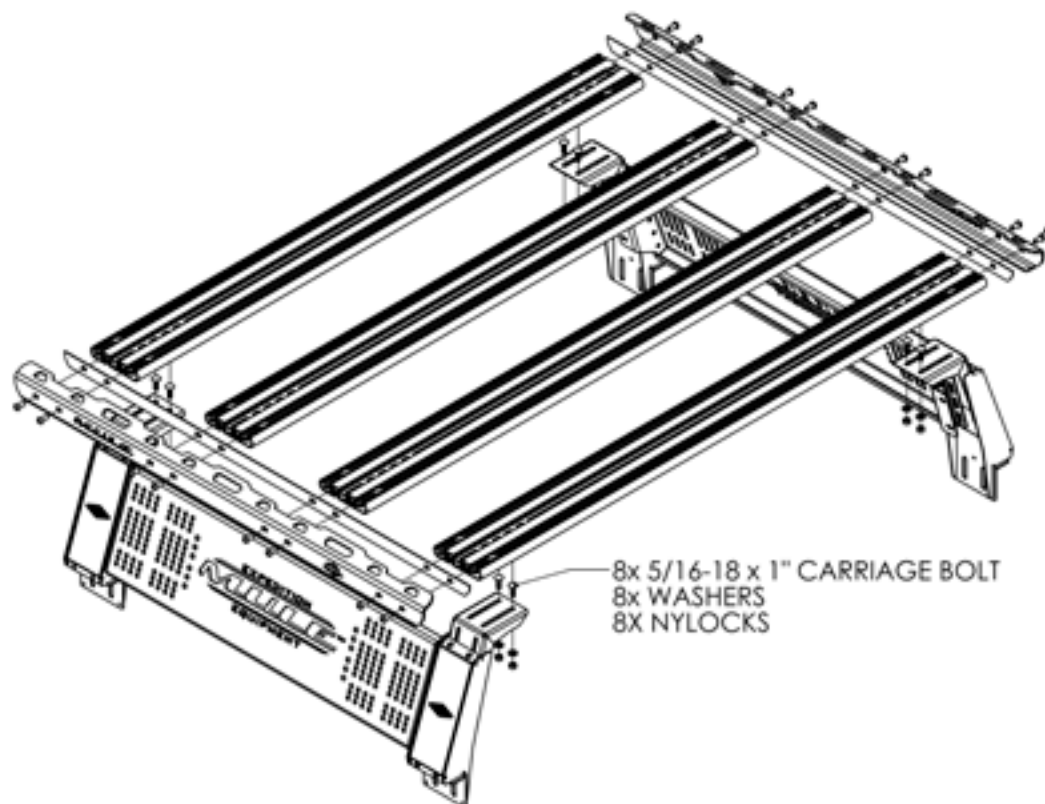
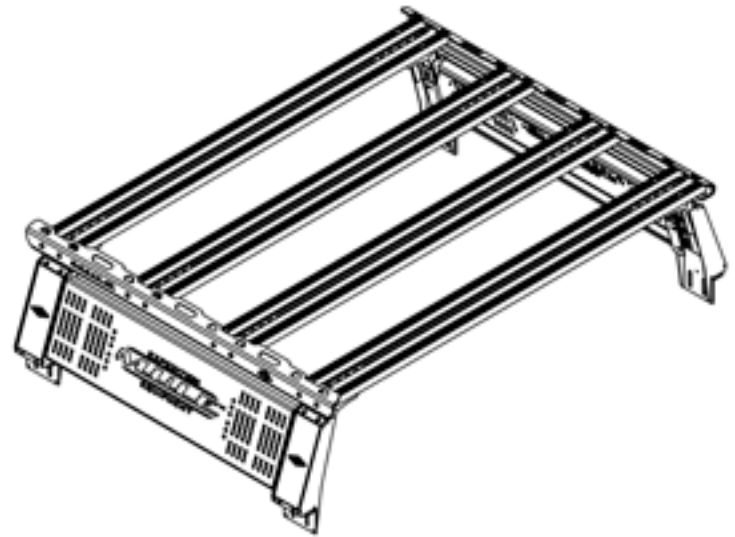
16 - 5/16"-18 3/4" Button Head Bolts

4 - Load Bars

Large Bed Racks

24 - 5/16"-18 X 3/4" Button Head Bolts

6 - Load Bars



5/16-18 x .75" BUTTON HEAD BOLTS

8x 5/16-18 x 1" CARRIAGE BOLT
8x WASHERS
8x NYLOCKS