

# INSTALLATION GUIDE

2022+ BRONCO 4-DOOR SAM RACK



# NOTE

SKILL LEVEL - ★★★★★

1 STAR ★☆☆☆☆

2 STARS ★★☆☆☆

3 STARS ★★★☆☆

4 STARS ★★★★☆

5 STARS ★★★★★

EASY - No tools required

BASIC - Requires standard tools, basic mechanical knowledge and understanding

MODERATE - Requires standard tools. Some drilling and/or cutting.

ADVANCED - Requires speciality tools. Drilling, cutting, and/or welding

EXPERT - Professional installation recommended.

## DISCLAIMER

Expedition One is not responsible for any damages to vehicle or injury.

We always recommend professional assistance when installing our vehicle products.

Always follow safety precautions including the use safety gear and devices.

### ATTENTION

When assembling the Mule SAM Rack, remember to hand-tighten all bolts relatively loose until the very end of the install. This allows everything to fit into place before everything is tightened down.

We highly recommend customers wait until they have the product in hand to schedule installations. All cancellations are required in writing and will incur a 10% re-stock fee and any applicable packaging and shipping fees. Please review terms and conditions for details.

\*Exact load bar dimensions may vary due to the manufacturing process

\*Varied models and trims may have different parts or designs requiring different removal processes or hardware

\* Front air dam was designed for the GMC Sierra and may vary on other GM models

# HARDWARE

## OEM LIGHT BRACKETS

FRONT SIDE FASCIA	2
REAR SIDE FASCIA	2
GUTTER CLAMPS	4
FRONT BOTTOM MOUNT	2
FRONT MOUNT COVER	2
FRONT MOUNT AIR DAM BRACKET	2
AIR DAM	1
WEATHER STRIPPING	1
LIGHT BAR MOUNTS	2
HINGE MOUNTING PLATE	2
LOAD BAR	5/8
GUTTER CLAMP FOAM PAD	1
SPACER 1	2
SPACER 2	2

## SAM RACK HARDWARE

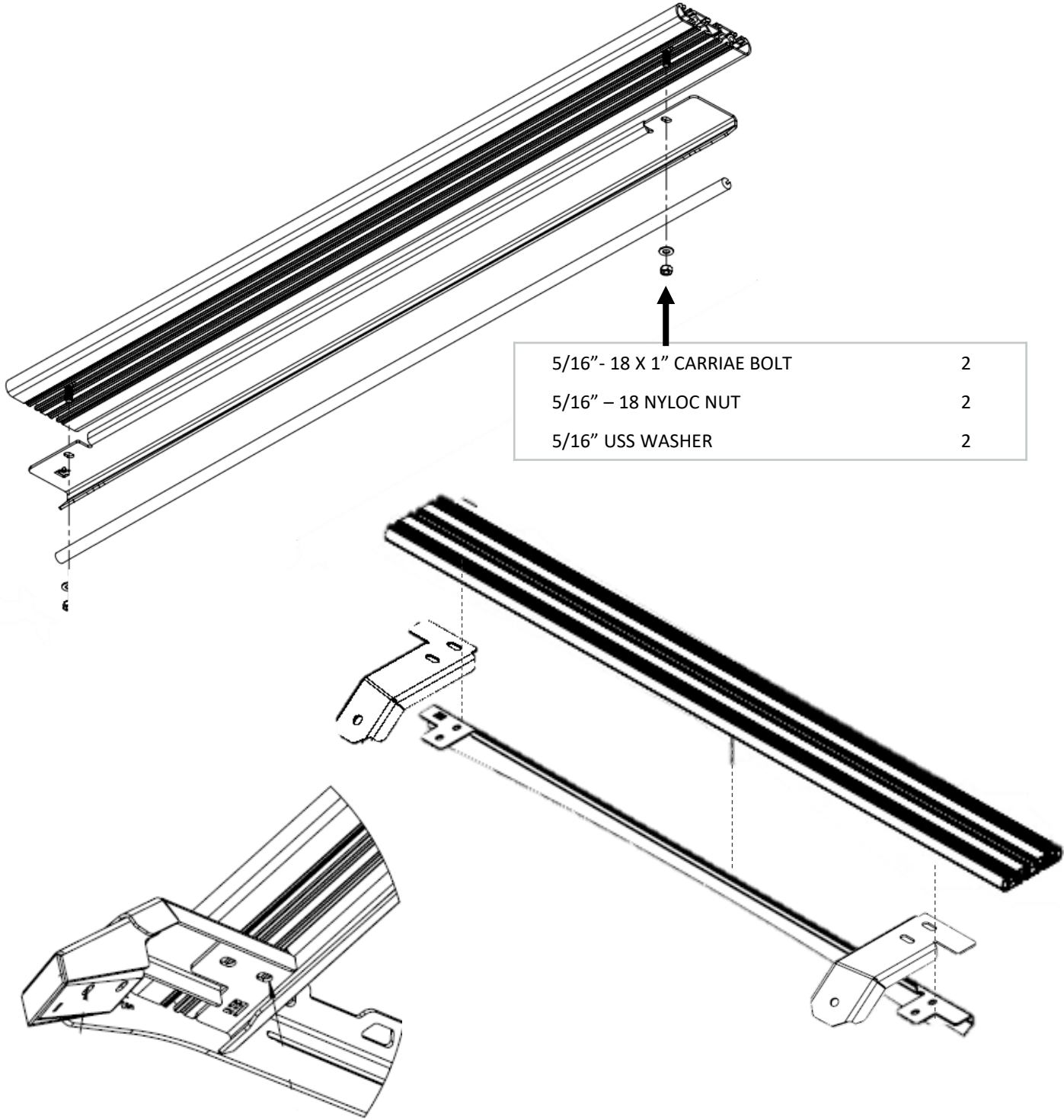
5/16" - 18 X 3/4" BUTTON HEAD BOLT	32
5/16" - 18 X 1" BUTTON HEAD BOLT	8
5/16" - 18 X 1" CARRIAGE BOLT	12
5/16" - 18 X 2 1/2" BUTTON HEAD BOLT	4
5/16" - 18 NYLOC NUT	20
5/16" - 18 CLIP NUT	4
5/16" USS WASHER	20
3/8"-16 X 1" BUTTON HEAD BOLT	6
3/8"-16 NYLOC NUT	2
3/8"-16 CLIP NUT	4
3/8" USS WASHER	2
BRONZE BUSHING	2

EXTRA HARDWARE MAY BE LEFT OVER DUE TO MODEL OR OPTION SPECIFIC  
HARDWARE THAT MAY NOT BE REQUIRED FOR THE INSTALL.

# INSTALLATION

## 1 FRONT AIRDAM

Attach the provided weather striping to the underside of the air dam and trim to fit. Mount the air dam under the front mounts as shown for the forward load bar (open end front facing) during assembly of the roof rack using the 5/16" hardware.

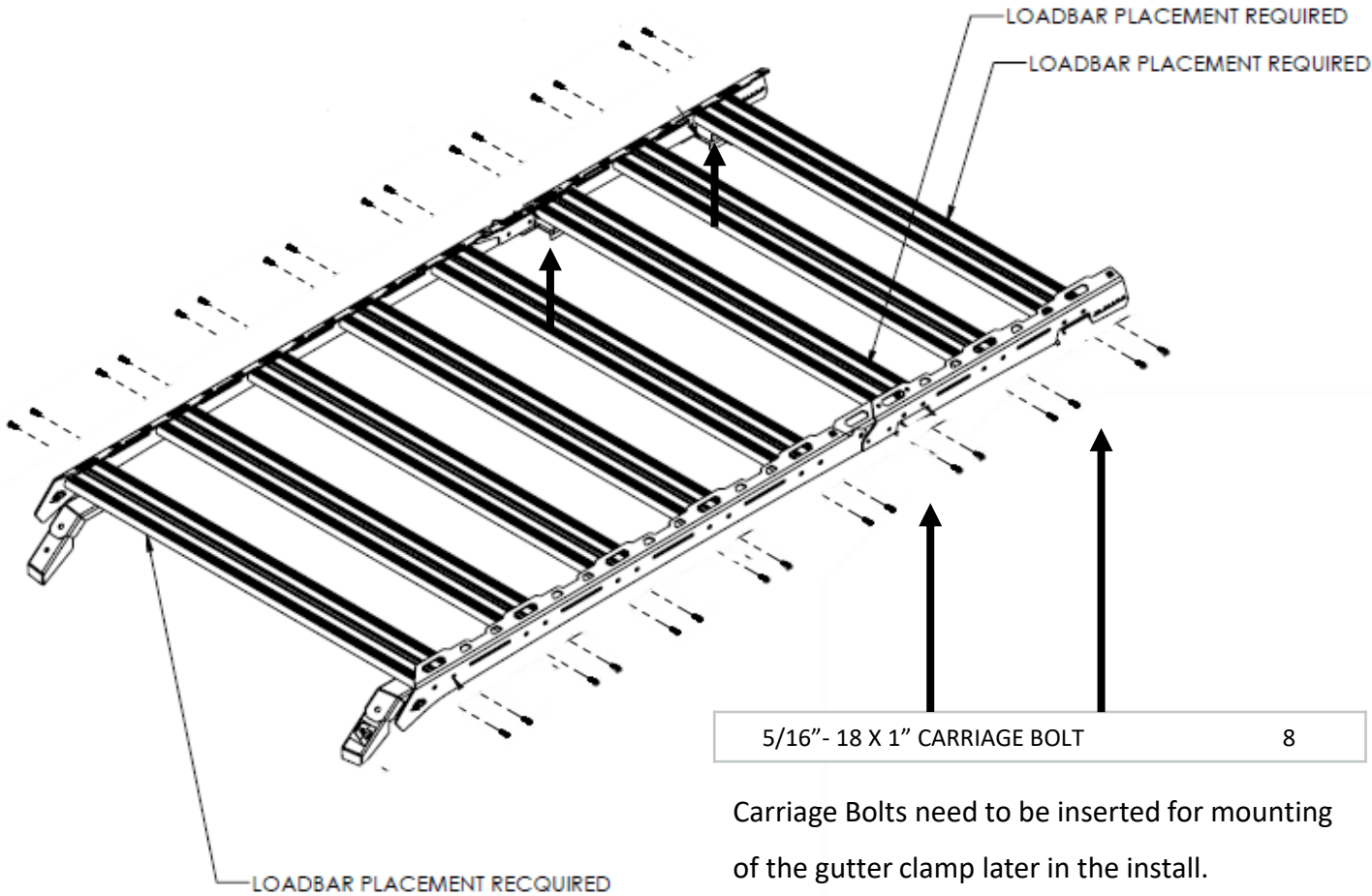


## 2 OEM LIGHT INSTALLATION (IF APPLICABLE)

Assemble the rack as shown. Start by attaching each side fascia to the load bars. Repeat this step for the other side, and do not tighten hardware. Bar locations may vary depending on OEM options, bars purchased, and personal preference. The ends of each section and gutter clamp locations must have a load bar attached.

5/16"- 18 X 3/4" BUTTON HEAD BOLT

32



5/16"- 18 X 1" CARRIAGE BOLT

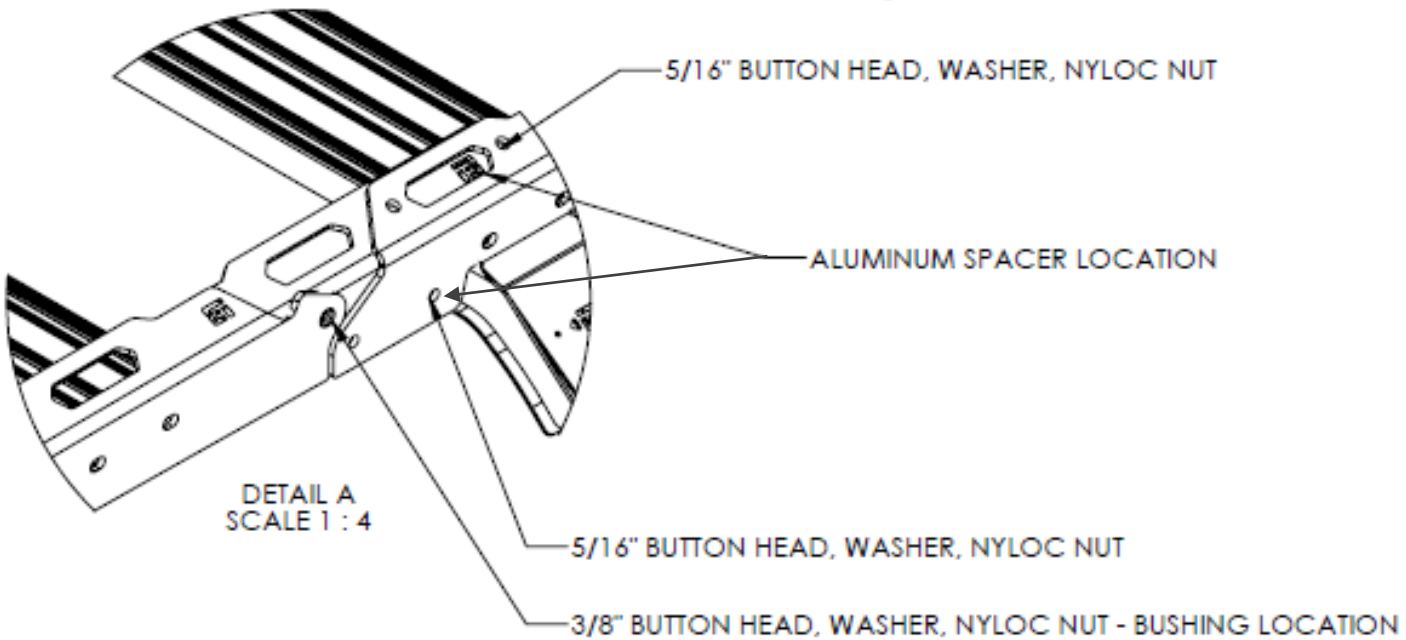
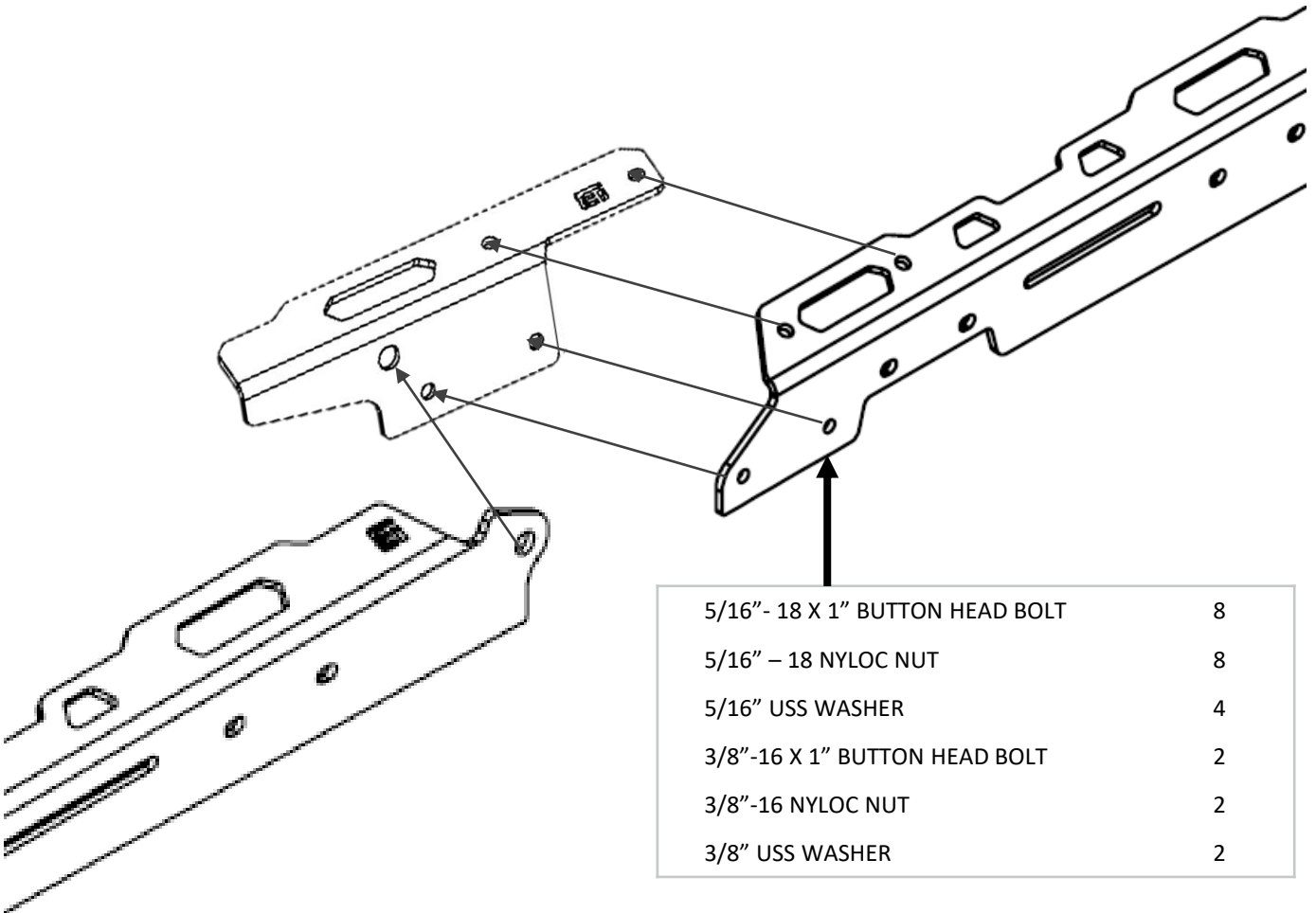
8

Carriage Bolts need to be inserted for mounting of the gutter clamp later in the install.

### 3 HINGE LOCATION HARDWARE

Assemble and attach the internal hinge mounting plate as shown on the following pages.

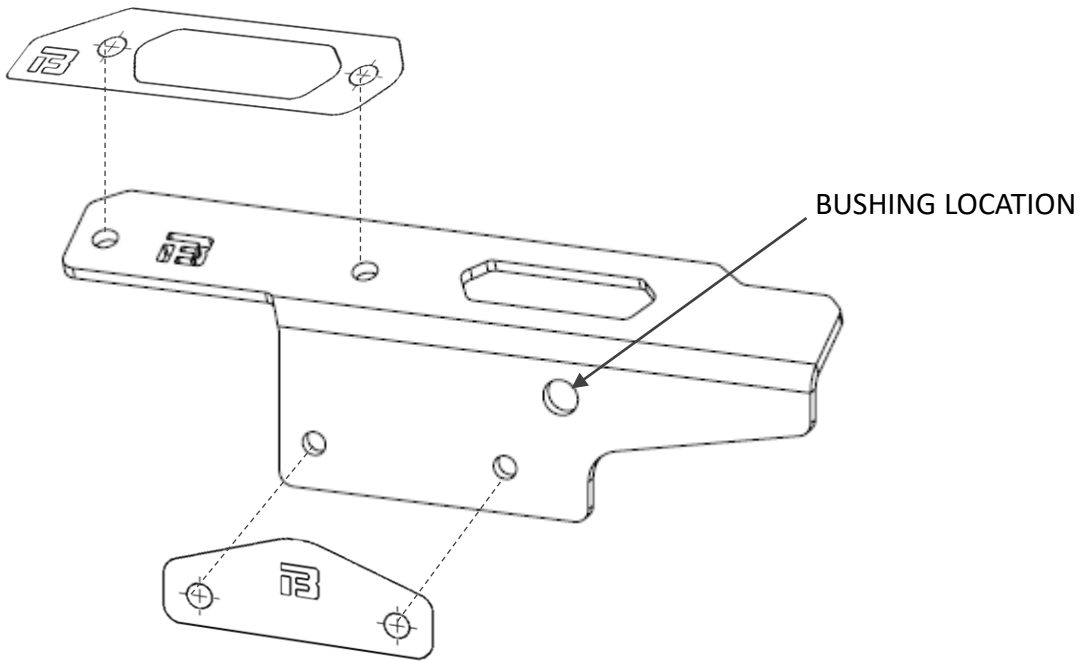
Repeat this step for the other side, and do not tighten hardware.





## CONTINUED

### Bushing and spacer locations



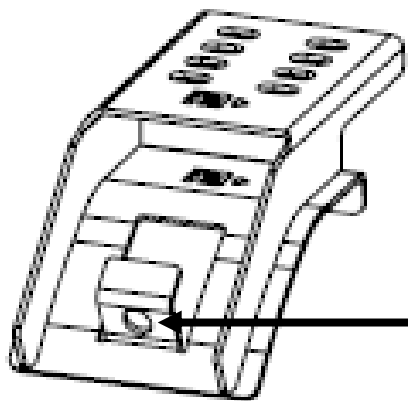
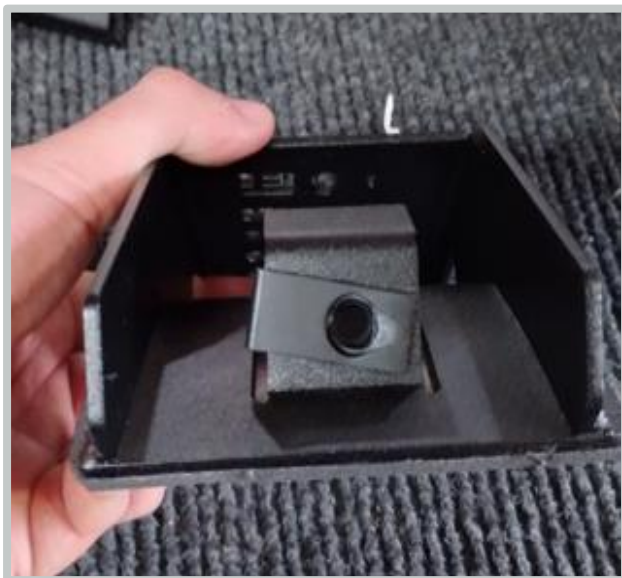
BRONZE BUSHING

2



## 4 GUTTER CLAMP PADDING

Attach the provided pads to the underside of all gutter clamps and bottom edge of the covers as shown below.

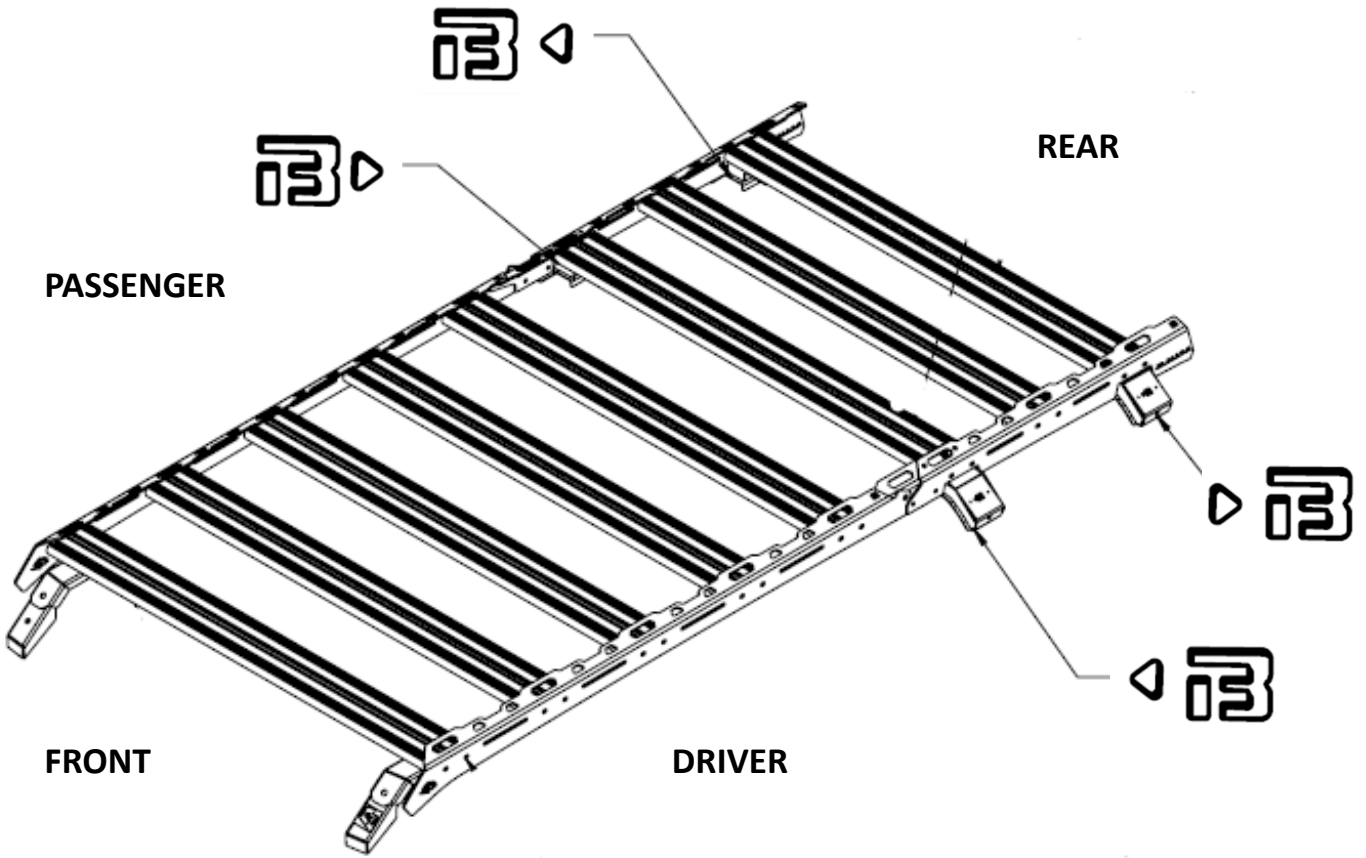


5/16"- 18 CLIP NUT



# 5 REAR GUTTER CLAMP MOUNTING

Place the gutter clamps on the rear roof slot locations shown and tighten enough to still allow movement and adjustability. Both gutter clamps and cover logos will need to match. Attach using 5/16" long button head bolts.



DRIVERS SIDE FRONT



PASSENGER SIDE FRONT



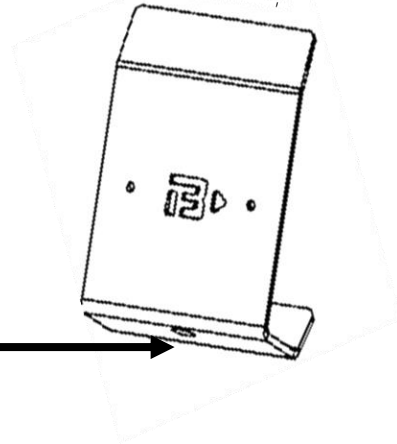
DRIVERS SIDE REAR



PASSENGER SIDE REAR

## CONTINUED

Gutter Clamp location and hardware.

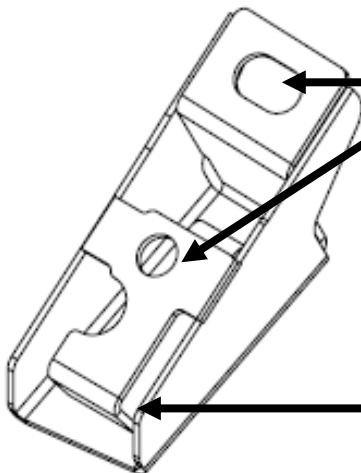


5/16" - 18 X 2 1/2" BUTTON HEAD

4

## 6 FRONT CLAMP MOUNTING

Remove the covers above the windshield. Attach the 3/8" clip nuts and mount the bottom bracket to the front locations with OEM hardware. An extra bottom hole is provided to run wiring through using the drill point in the roof for the factory aux pack.



3/8"-16 CLIP NUT

4

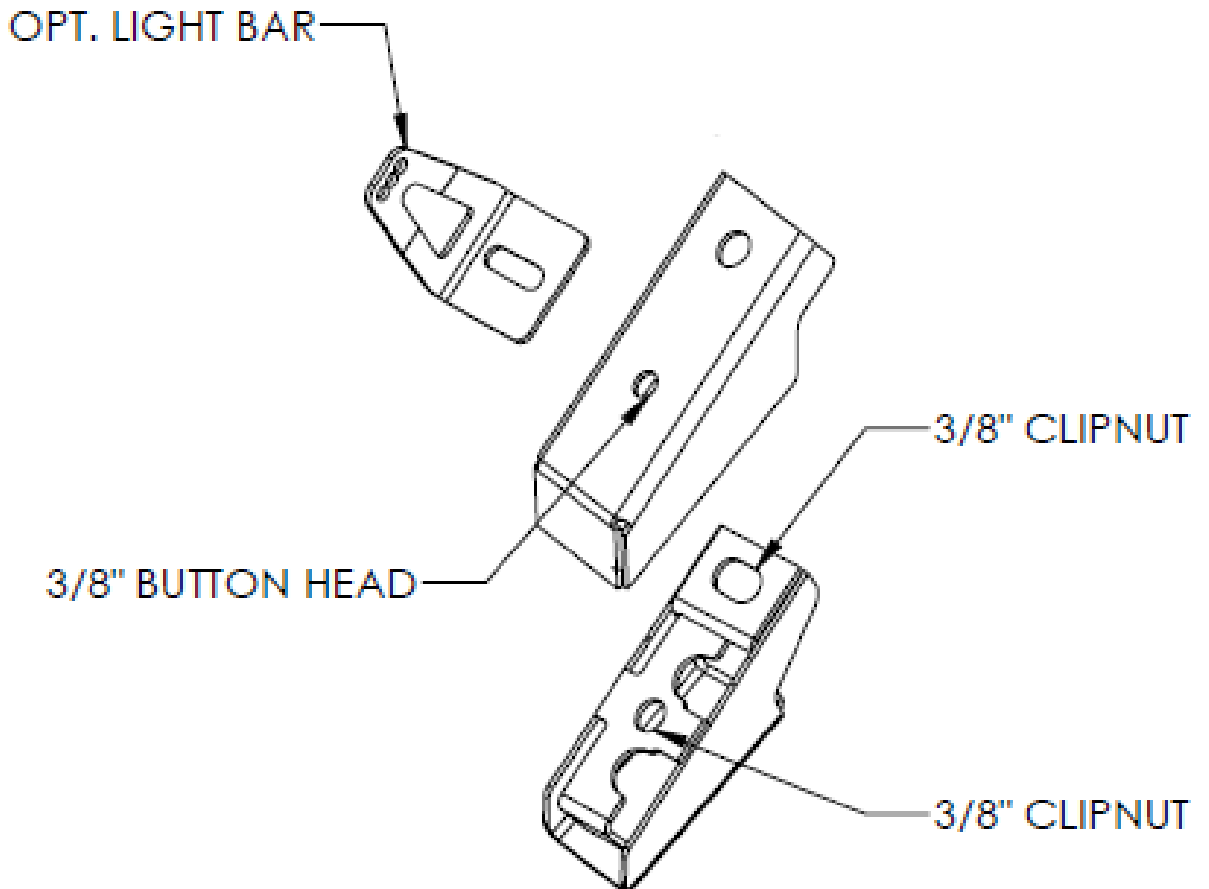
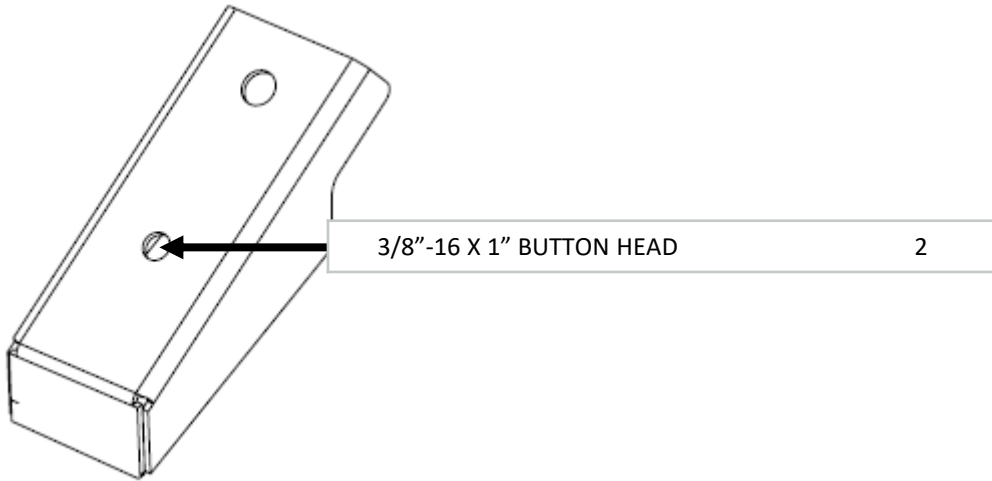
OEM HW

4



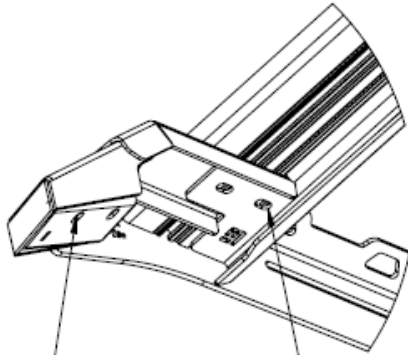
## CONTINUED

Install the cover over the bottom bracket and install 3/8" hardware. Optional light will mount to this location. Tighten these parts down and adjust as need with the rack installed.

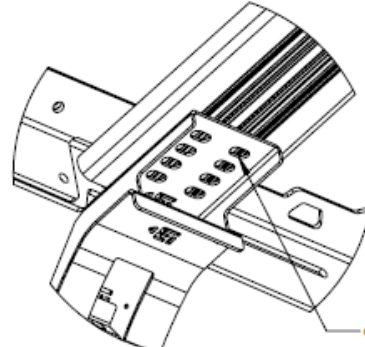


# 7 RACK MOUNTING

Place the rack onto the vehicle and line up with all gutter mounts. Adjust as needed and mount using the provided 5/16" hardware in the rear and 3/8" button head in the front. Use the provided spacers to evenly adjust the gap between the rack and the vehicle and to ensure that it is level.



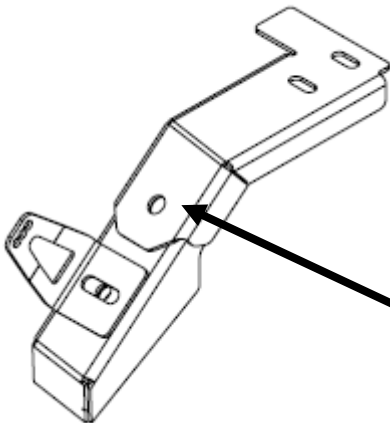
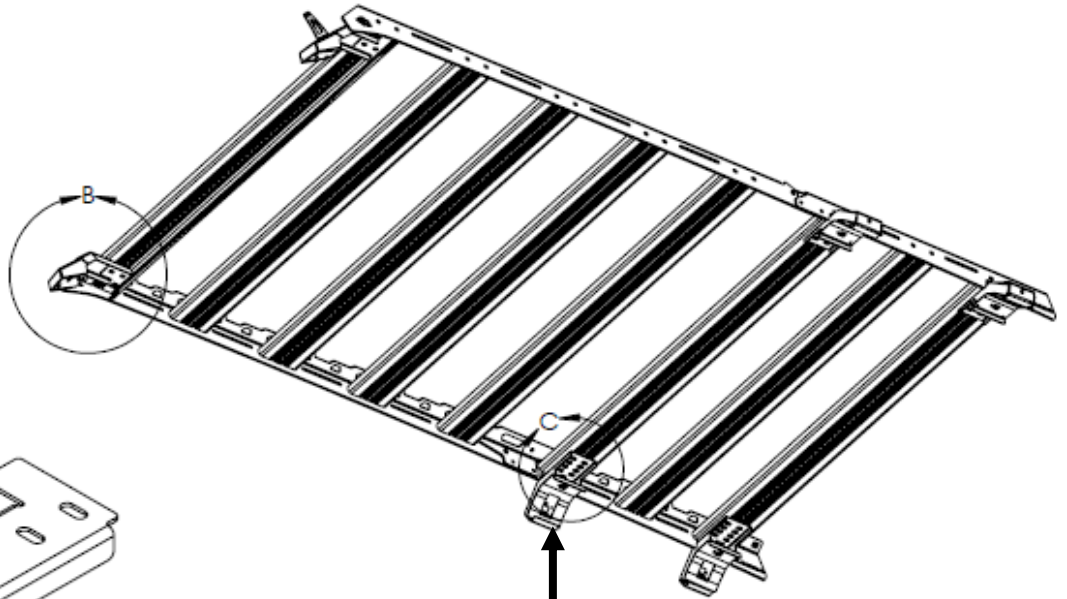
DETAIL B  
SCALE 1 : 4



DETAIL C  
SCALE 1 : 4

GUTTER CLAMPS - EACH  
2X 5/16" CARRIAGE BOLTS  
WASHERS, NYLOC NUTS

AIRDAM MOUNTS UNDER FRONT MOUNTS TO LOAD BAR  
4X 5/16" CARRIAGE BOLTS, WASHERS, NYLOC NUTS



5/16" - 18 NYLOC NUT	8
5/16" USS WASHER	8
3/8"-16 X 1" BUTTON HEAD BOLT	2

## 8 TIGHTEN ALL HARDWARE

Check that all hardware is tightened including all brackets, load bars, and mounting locations.

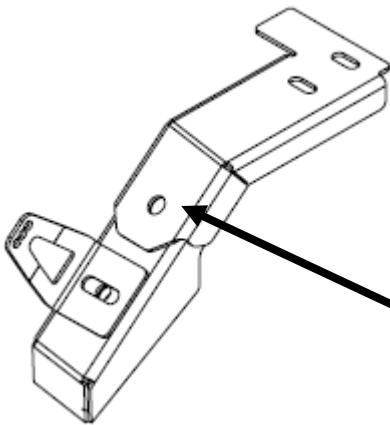
**TIGHTEN ALL HARDWARE AFTER EVERYTHING IS INSTALLED ON THE VEHICLE.**

**CHECK AND RETIGHTEN ALL HARDWARE AFTER THE FIRST 100 MILES AND AFTER OFF ROADING.**

**CHECK REGULARLY**

---

**TO REMOVE THE ROOF PANELS, UNBOLT THE 3/8 HARDWARE LOCATION SHOWN AND LIFT THE ROOF BACK. REATTACH AND TIGHTEN HARDWARE AFTER REMOVAL IS COMPLETE.**



3/8"-16 X 1" BUTTON HEAD BOLT

2

### ATTENTION

DO NOT Drive with the rack in the up position!  
DO NOT leave the rack in the open position un attended!  
Use caution when opening and closing the rack. Open outdoors or in high clearance locations. Check hardware regularly.