



**INSTALLATION GUIDE**  
**2020+ GM 2500/3500 SAM RACK**



# NOTE

SKILL LEVEL - ★★★★★

1 STAR ★☆☆☆☆

2 STARS ★★☆☆☆

3 STARS ★★★☆☆

4 STARS ★★★★☆

5 STARS ★★★★★

EASY - No tools required

BASIC - Requires standard tools, basic mechanical knowledge and understanding

MODERATE - Requires standard tools. Some drilling and/or cutting.

ADVANCED - Requires speciality tools. Drilling, cutting, and/or welding

EXPERT - Professional installation recommended.

## DISCLAIMER

Expedition One is not responsible for any damages to vehicle or injury.

We always recommend professional assistance when installing our vehicle products.

Always follow safety precautions including the use safety gear and devices.

### ATTENTION

When assembling the Mule Ultra Rack, remember to hand-tighten all bolts relatively loose until the very end of the install. This allows everything to fit into place before everything is tightened down.

We highly recommend customers wait until they have the product in hand to schedule installations. All cancellations are required in writing and will incur a 10% re-stock fee and any applicable packaging and shipping fees. Please review terms and conditions for details.

\*Exact load bar dimensions may vary due to the manufacturing process

\*Varied models and trims may have different parts or designs requiring different removal processes or hardware

\* Front air dam was designed for the GMC Sierra and may vary on other GM models

# HARDWARE

## OEM LIGHT BRACKETS

SIDE FASCIA	2
FRONT ROOF MOUNT "SF"	2
REAR ROOF MOUNT "RF"	2
AIR DAM OPT – LIGHTS CUTOUT/NO LIGHT CUTOUT	1
WEATHER STRIPPING	1
LOAD BAR – 53"	3/6
LOAD BAR SPACER	2/6
MOUNT SPACER	4
MOUNT FOAM STRIP	1

## SAM RACK HARDWARE

1/4" - 20 X 3/4" BUTTON HEAD BOLT	2
5/16" - 18 X 3/4" BUTTON HEAD BOLT	26
5/16" - 18 X 1" CARRIAGE BOLT	2
5/16" – 18 NYLOC NUT	10
5/16" USS WASHER	10

## RIV NUT HARDWARE KIT & TOOL

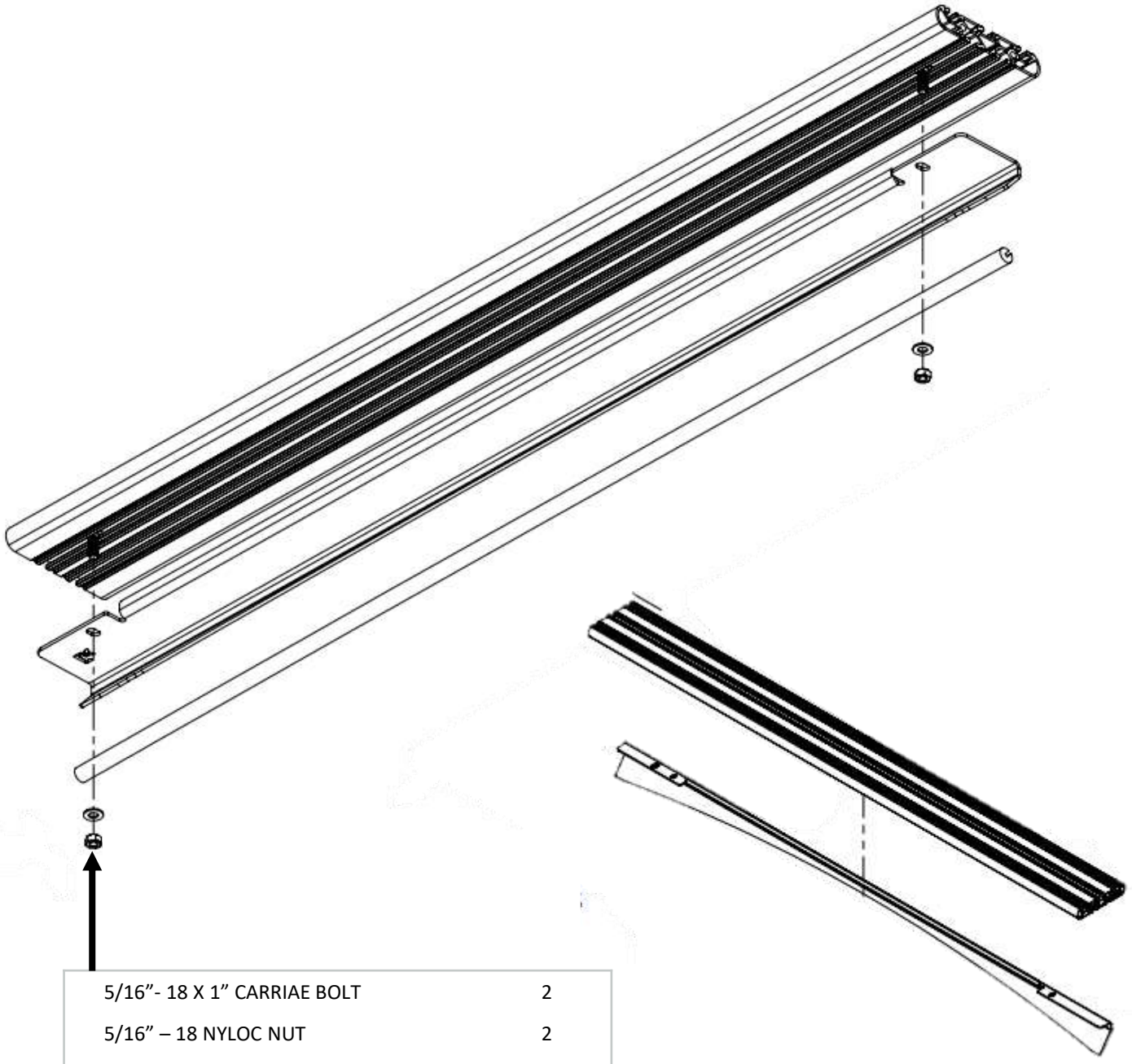
1/4" - 20 X 1 1/4" HEX CAP BOLT	8
1/4" - 20 X 2" HEX CAP BOLT	1
1/4" SAE WASHER	10
1/4" SERRATED CRIMP WASHER	1
1/4" - 20 X 3/8" RIV NUT	8
3/8" X 1.125" COUPLER NUT	1
RIV NUT CRIMP TOOL	1

EXTRA HARDWARE MAY BE LEFT OVER DUE TO MODEL OR OPTION SPECIFIC  
HARDWARE THAT MAY NOT BE REQUIRED FOR THE INSTALL.

# INSTALLATION

## 1 FRONT AIRDAM

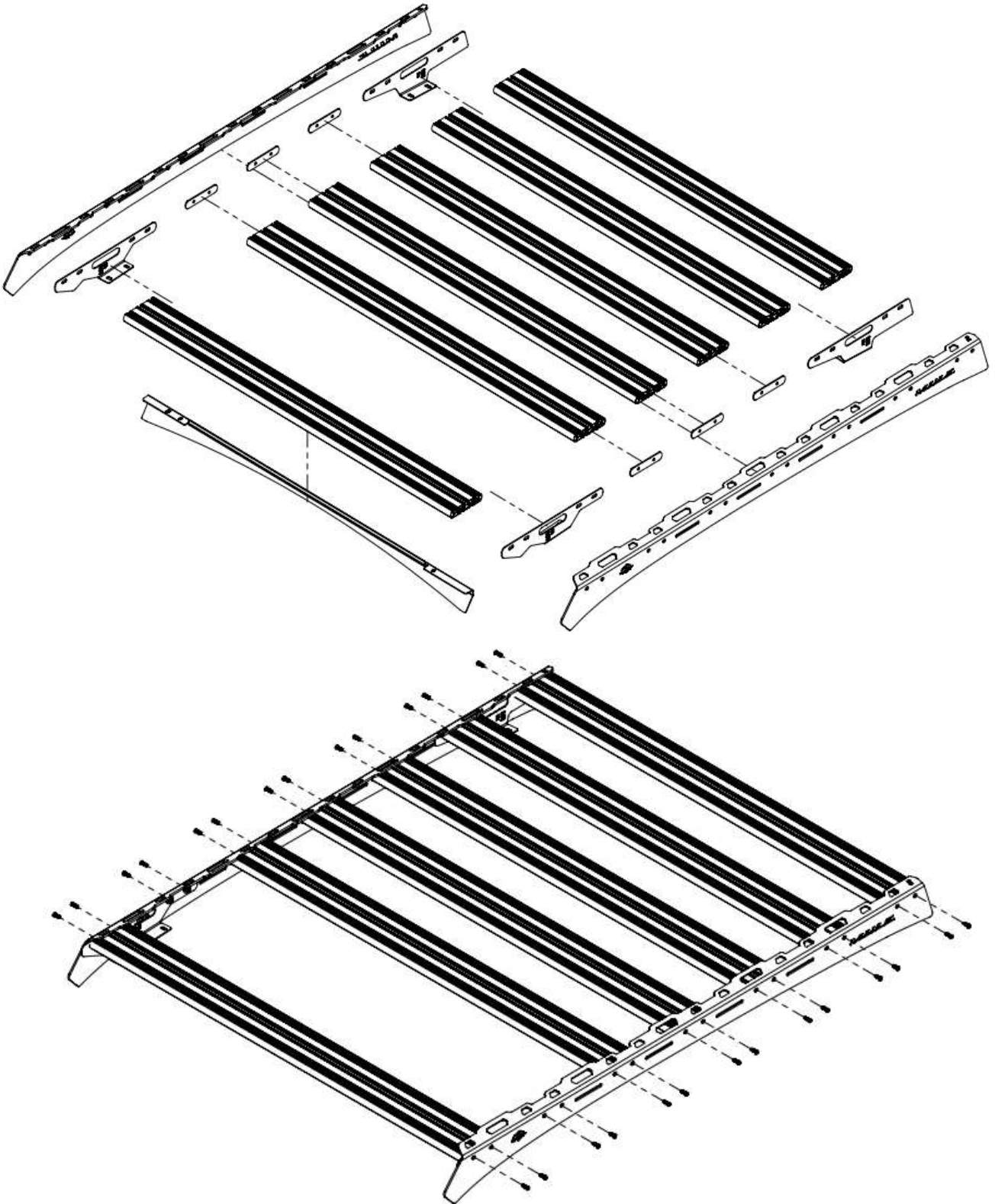
Attach the provided weather striping to the underside of the air dam and trim to fit. Mount the air dam to the front load bar as shown (open end front facing) during assembly of the roof rack using the 5/16" hardware.



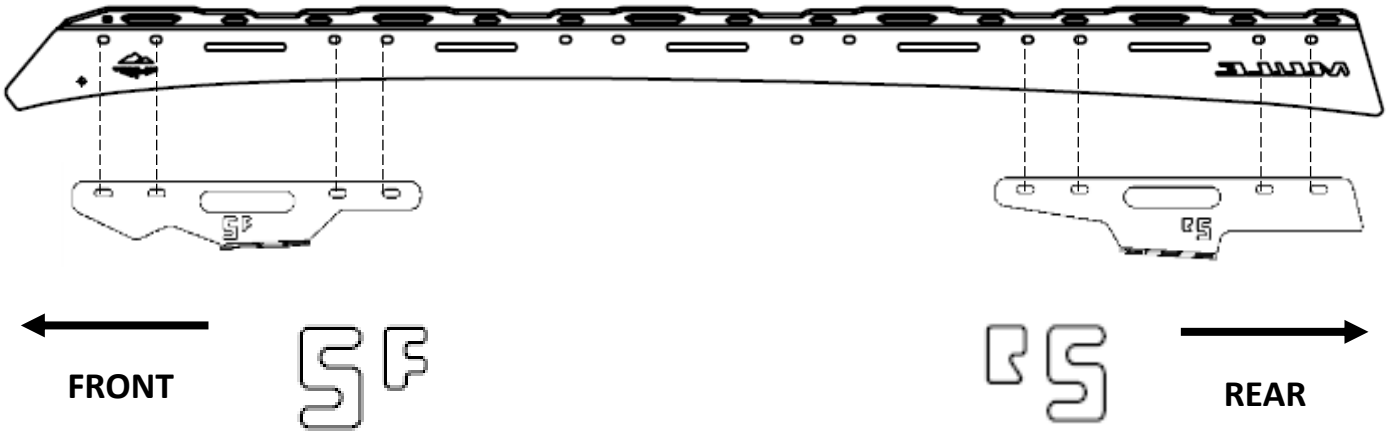
5/16"- 18 X 1" CARRIAE BOLT	2
5/16" – 18 NYLOC NUT	2
5/16" USS WASHER	2

## 2 OEM LIGHT INSTALLATION (IF APPLICABLE)

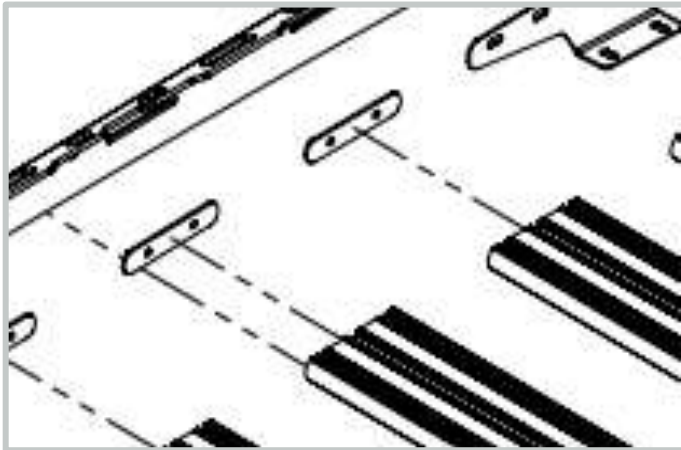
Assemble the rack as shown. Start by attaching each side fascia to the load bars. Repeat this step for the other side, and do not tighten hardware. Bar locations may vary depending on OEM options, bars purchased, and personal preference. The ends of each section must have a load bar attached.



CONTINUED

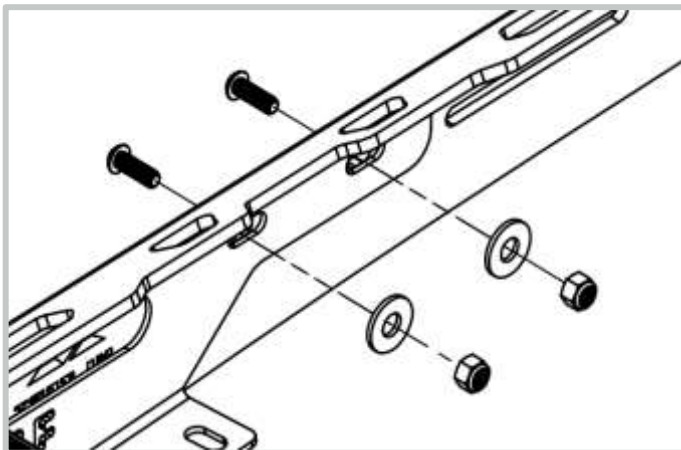


5/16" - 18 X 3/4" BUTTON HEAD BOLT	26
5/16" - 18 NYLOC NUT	8
5/16" USS WASHER	8



### LOAD BAR SPACER

Insert the spacer between the side fascia and load bars for non mount bracket locations



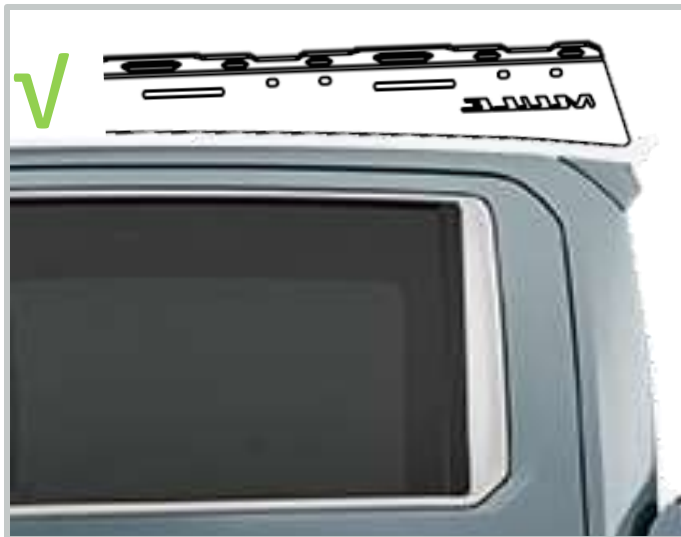
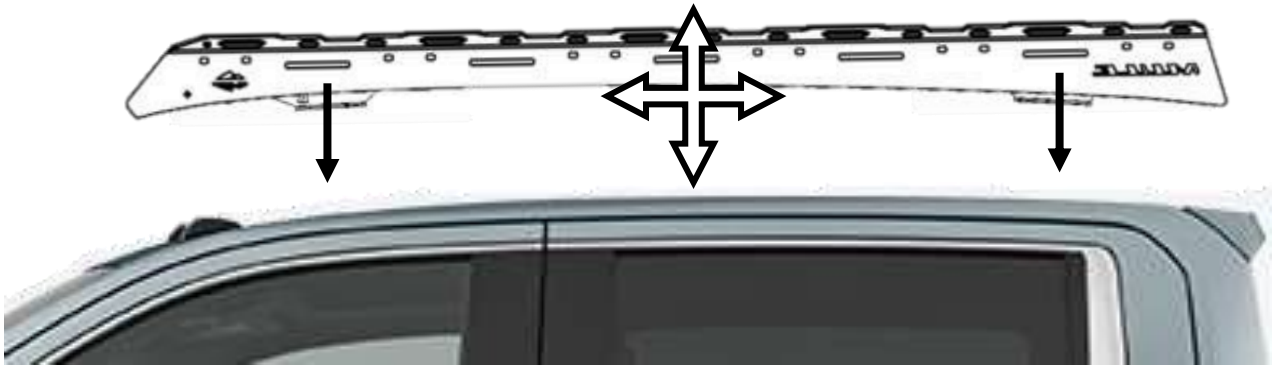
### LOCATION WITH NO LOAD BAR

Attach the mount as shown using the provided 5/16" hardware. If the location doesn't mount to anything leave empty

### 3 ROOF MOUNT LOCATIONS

Remove the OEM roof trim from the roof. With rack is assembled, place it on the roof of the vehicle (recommended that you cover the area with blankets or other protective covering).

Once in place adjust the rack so that the mounts sit even with and on top of the gutter of the roof on both sides of the vehicle. Position forward and backward as need so that the roof line and side fascia align in parallel. The rack should also align with the front antenna and lights.





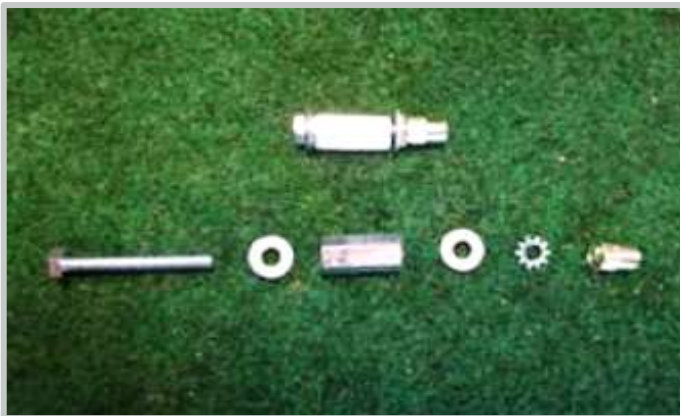
With the mounting brackets located in place, mark with a sharpie the hole locations for drilling. Repeat for the other mount locations. Verify the locations by measurement so as to match, adjust as needed. You will need to drop the headliner at each location to check for wiring and airbag hardware before drilling.





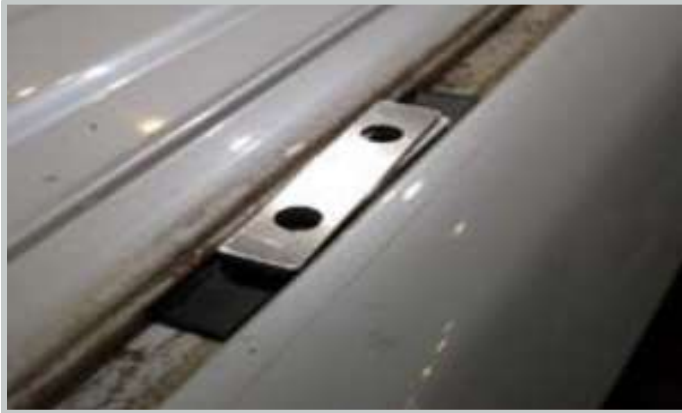
## 4 RIV NUT INSTALLATION

With the hole locations marked, drill each hole to roughly 3/8" in size (recommend using a center punch and stepping up drill bit sizes. Next, add some caulk sealant to Riv nut as shown. (this will help seal the nut into the roof from the elements). Using the provided Riv nut set, begin twisting your Riv nut down into the roof until you feel it 'sit' snug. Then go ahead and hold the bottom wrench in place and twist off the long bolt. Your Riv nut should remain firmly in place. Continue this with the other drilled hole and then repeat these steps for the other rear side of vehicle. Cover the mount locations with the provided foam strip and mount the brackets using the provided hardware. **DO NOT** Drill into any wiring.



## 5 SPACERS INSTALLATION

In preparation for attaching the roof mounts cut a foam strip to length of the mounting location and place 3 of the large spacers over the mounting location. Repeat this step for each of the mounts.



## 6 MOUNTING

Mount the rack into position on top of the spacer locations and align with each bracket. Use the provided 5/16" bolts and washers for each mount hole location and tighten down roof rack to each bracket as shown below. Spacer kit may be used to level and adjust the roof rack as needed. Tighten all hardware once completed.

## 7 TIGHTEN ALL HARDWARE

Check that all hardware is tightened including all brackets, load bars, and mounting locations.

**TIGHTEN ALL HARDWARE AFTER EVERYTHING IS INSTALLED ON THE VEHICLE.**

**CHECK AND RETIGHTEN ALL HARDWARE AFTER THE FIRST 100 MILES AND AFTER OFF ROADING.**

**CHECK REGULARLY**