



INSTALLATION GUIDE

JEEP GLADIATOR JT – FULL SAM RACK



NOTE

SKILL LEVEL - ★★ ★

1 STAR ★☆☆☆☆

2 STARS ★★☆☆☆

3 STARS ★★★☆☆

4 STARS ★★★★☆

5 STARS ★★★★★

EASY - No tools required

BASIC - Requires standard tools, basic mechanical knowledge and understanding

MODERATE - Requires standard tools. Some drilling and/or cutting.

ADVANCED - Requires speciality tools. Drilling, cutting, and/or welding

EXPERT - Professional installation recommended.

DISCLAIMER

Expedition One is not responsible for any damages to vehicle or injury.

We always recommend professional assistance when installing our vehicle products.

Always follow safety precautions including the use safety gear and devices.

ATTENTION

When assembling the Mule SAM Rack, remember to hand-tighten all bolts relatively loose until the very end of the install. This allows everything to fit into place before everything is tightened down.

We highly recommend customers wait until they have the product in hand to schedule installations. All cancellations are required in writing and will incur a 10% re-stock fee and any applicable packaging and shipping fees. Please review terms and conditions for details.

*Exact load bar dimensions may vary due to the manufacturing process

*Varied models and trims may have different parts or designs requiring different removal processes or hardware

* Front air dam was designed for the GMC Sierra and may vary on other GM models

HARDWARE

OEM LIGHT BRACKETS

SIDE FASCIA	2
AIR DAM	1
WEATHER STRIPPING	1
MOUNT BRACKETS	6
GUTTER CLAMP	4
GUTTER CLMAP "G LOGO"	2
GUTTER CLAMP PADS	6
LOAD BAR	4/6
MOUNT SPACER	12
THREAD PLATE MOUNT	6

SAM RACK HARDWARE

1/4" - 20 X 3/4" BUTTON HEAD BOLT	2
5/16" - 18 X 3/4" BUTTON HEAD BOLT	38
5/16" - 18 X 1" CARRIAGE BOLT	2
5/16" - 18 NYLOC NUT	22
5/16" USS WASHER	22

GUTTER CLAMP HARDWARE

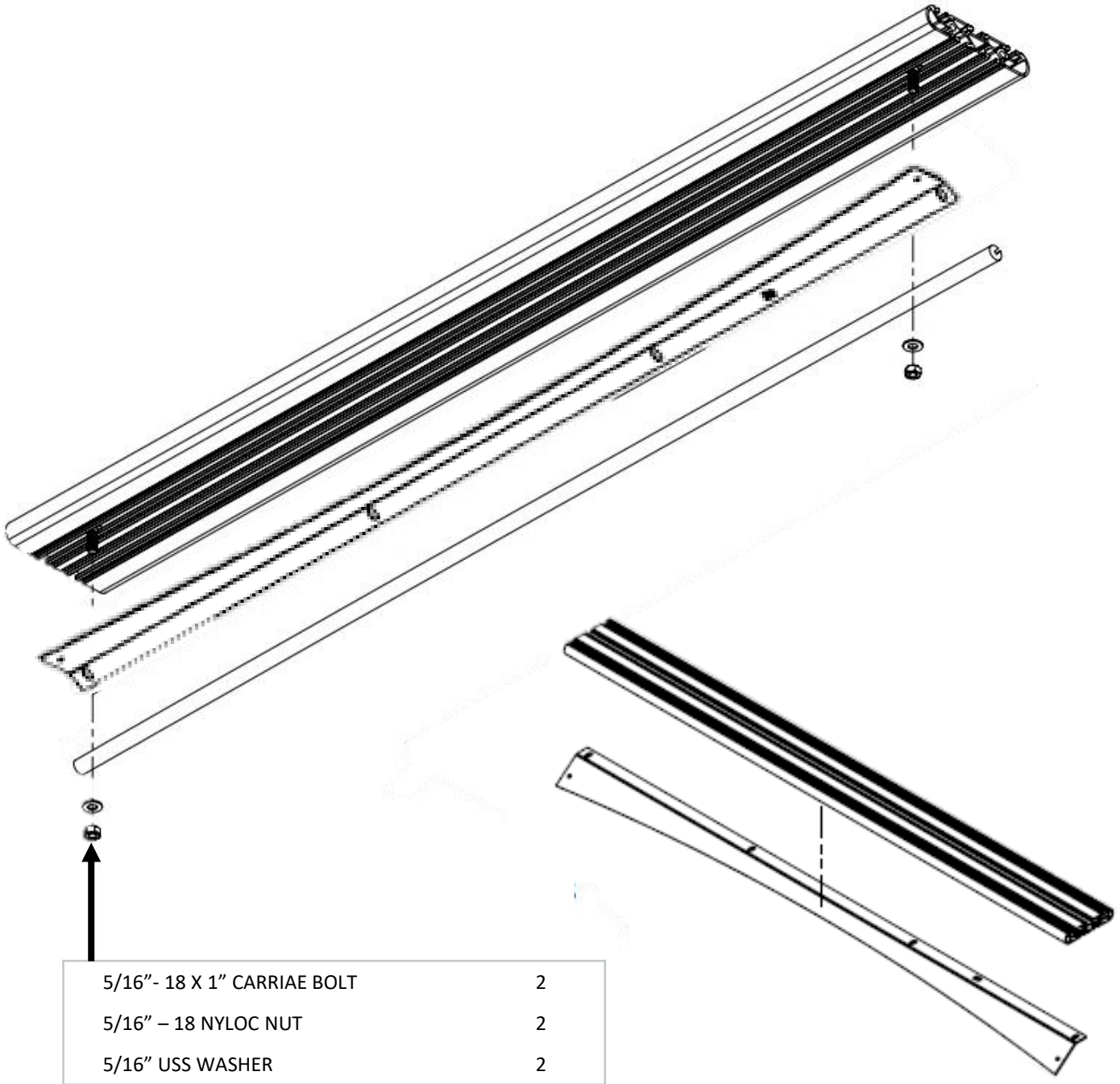
5/16" - 18 X 3/4" HEX CAP BOLT	16
5/16" - 18 SOCKET CAP BOLT	6
5/16" USS WASHER	16

EXTRA HARDWARE MAY BE LEFT OVER DUE TO MODEL OR OPTION SPECIFIC
HARDWARE THAT MAY NOT BE REQUIRED FOR THE INSTALL.

INSTALLATION

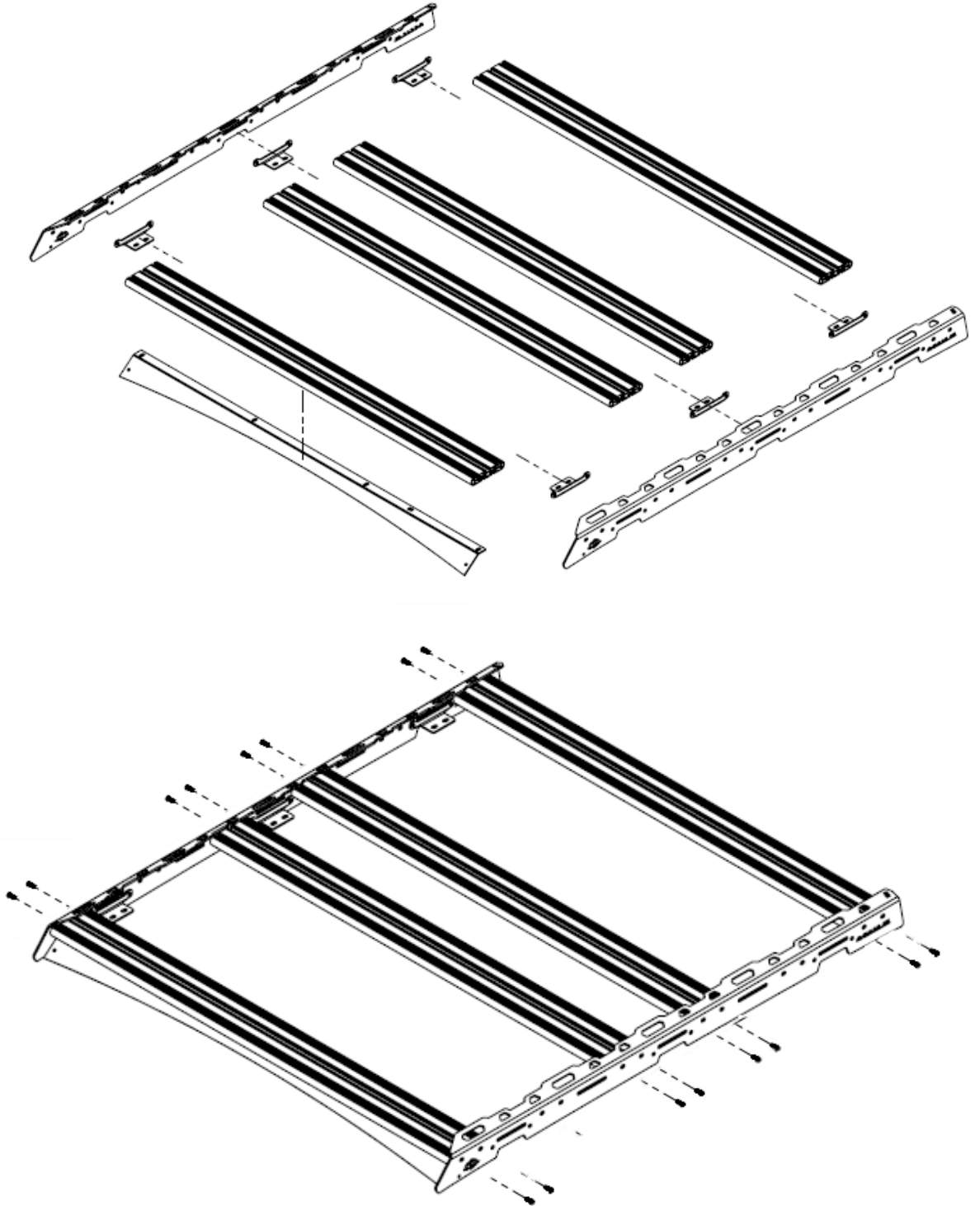
1 FRONT AIRDAM

Attach the provided weather striping to the underside of the air dam and trim to fit. Mount the air dam to the front load bar as shown (open end front facing) during assembly of the roof rack using the 5/16" hardware.

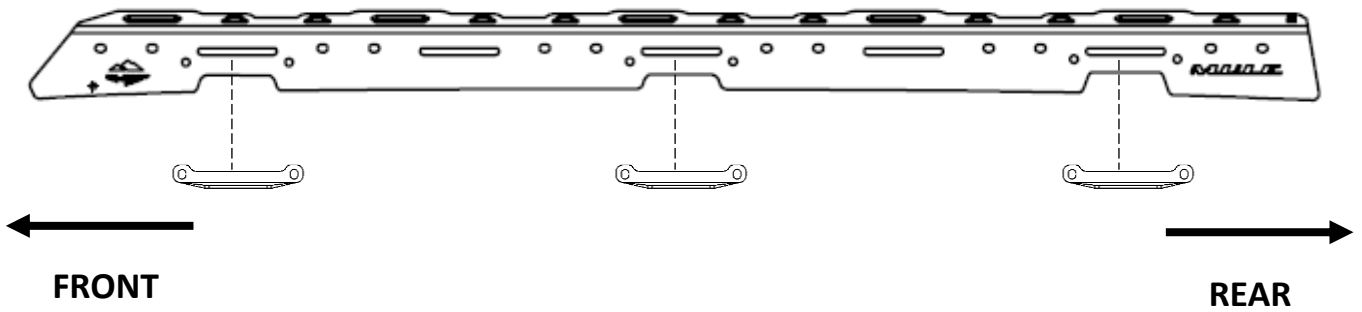


2 RACK ASSEMBLY

Assemble the rack as shown. Start by attaching each side fascia to the load bars. Repeat this step for the other side, and do not tighten hardware. Bar locations may vary depending on OEM options, bars purchased, and personal preference. The ends of each section must have a load bar attached.

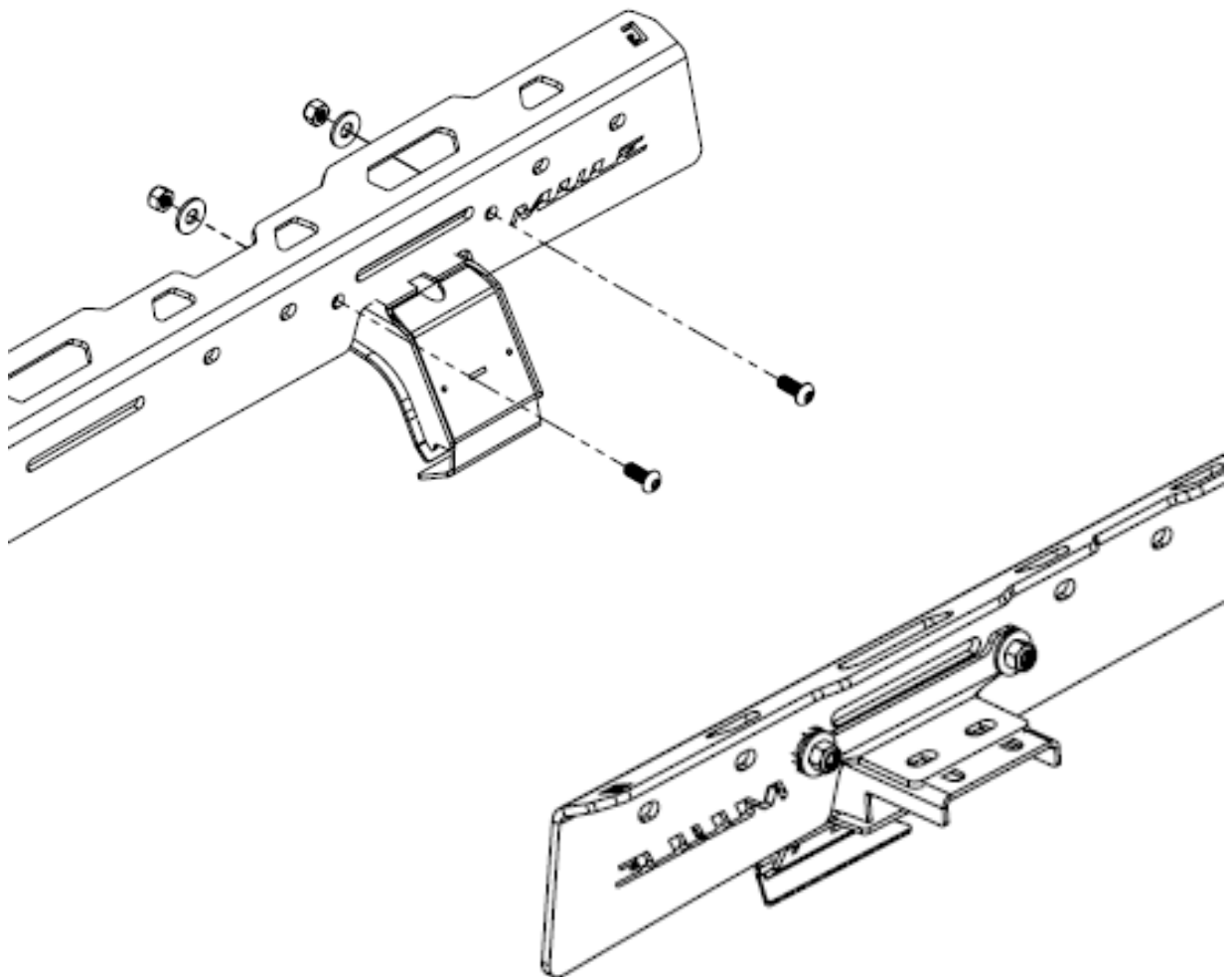


CONTINUED



5/16" - 18 X 3/4" BUTTON HEAD BOLT	36
5/16" - 18 NYLOC NUT	12
5/16" USS WASHER	12

Attach the mounting brackets as shown to the 6 slot locations using the provided 5/16" hardware. Leave hardware loose for adjustment.



3 GUTTER CLAMP PADDING

Attach the provided pads to the underside of all gutter clamps and covers as shown below.



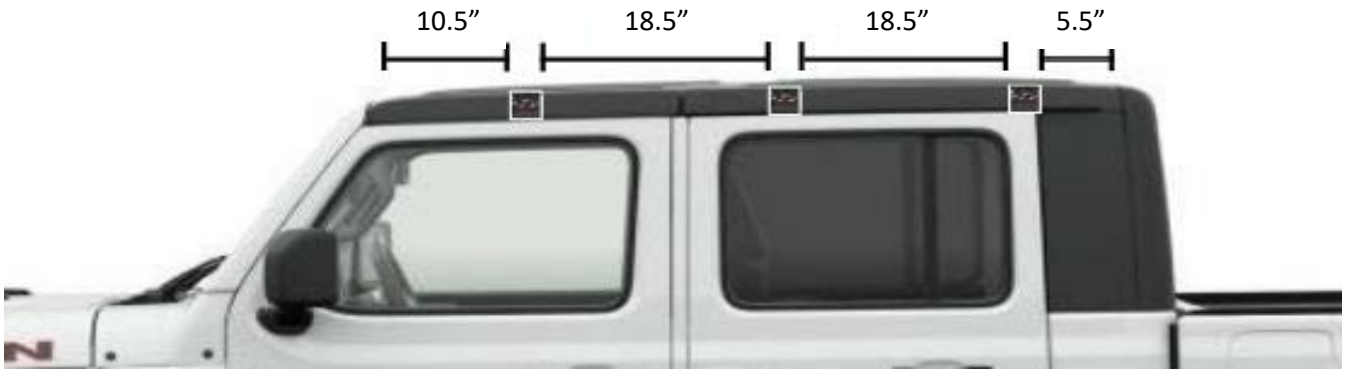
4 GUTTER CLAMP MOUNTING

Place the gutter clamps on the roof and tighten enough to still allow side to side motion. The **“G”** marked gutter clamps should be placed at the rear of the vehicle.



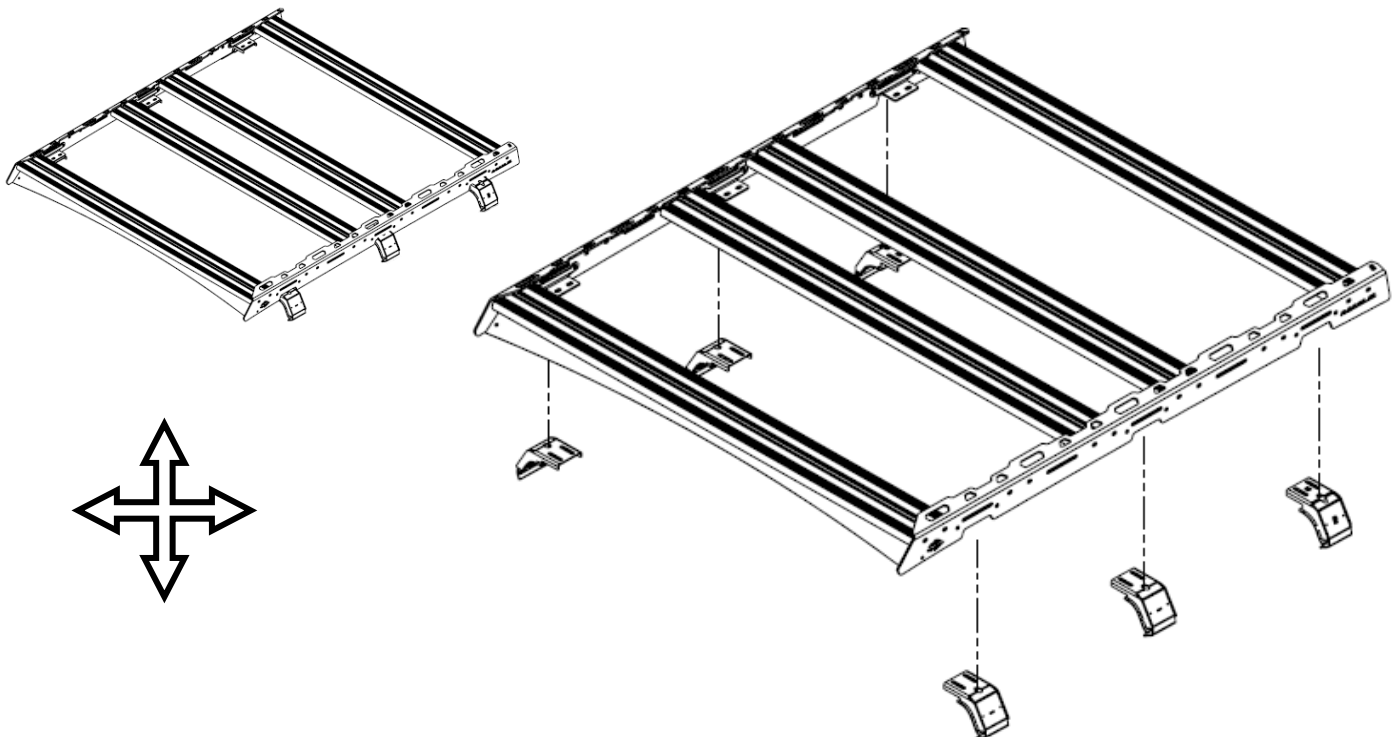
GUTTER CLAMP LOCATIONING

Pictured below are the dimensions for adjusting the gutter mounts to the correct locations. The first gutter clamp is positioned 10.5" from the start of the roof gutter. Each consecutive gutter clamp is measure from the edge of previous gutter clamp to the start of the next one as shown. Check that the last gutter clamp is positioned at about 5 1/2" from the end of the roof gutter. Repeat for the other side and tighten the gutter clamps into place.



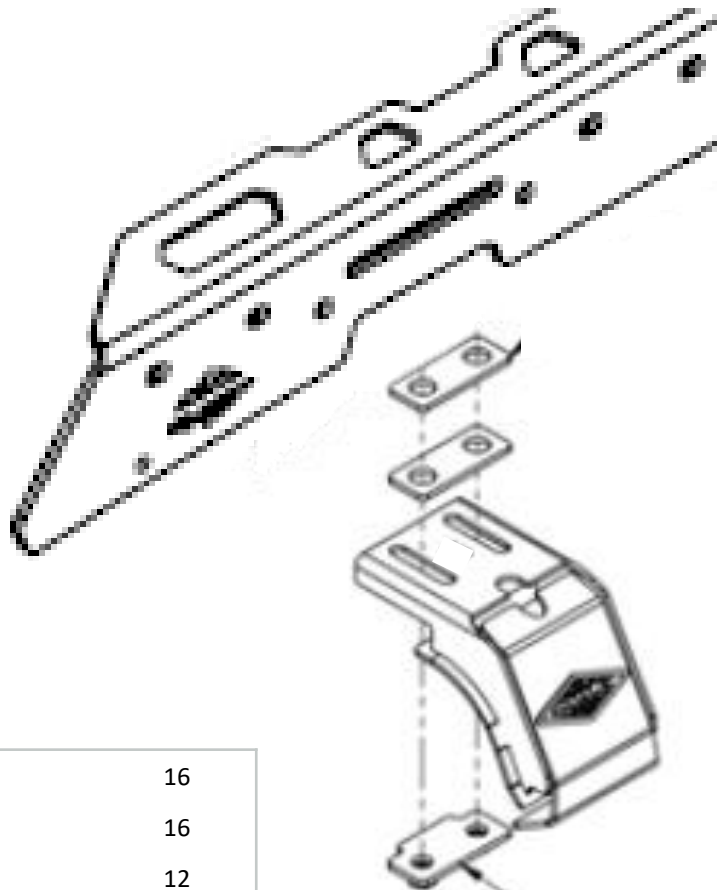
5 ROOF MOUNT LOCATIONS

With rack is assembled, place it on the roof of the vehicle (recommended that you cover the area with blankets or other protective covering). Once in place adjust the rack so that the mounts sit even with and on top of the gutter of the roof on both sides of the vehicle. Position forward and backward as need so that the roof line and side fascia align in parallel..



6 RACK TO GUTTER MOUNTING

Hold the included nut retainer underneath for each gutter mount for the bolts to thread into from the top to secure the roof rack into its final position as shown below. Use the provided spacers as needed to evenly adjust the gap between the rack and the vehicle and to ensure that it is level. Mount using the provided 5/16" hardware.



5/16" - 18 X 3/4" HEX CAP BOLT	16
5/16" USS WASHER	16
SPACERS (OPTIONAL)	12
THREADED PLATE	6

6x THREADED PLATE

7

TIGHTEN ALL HARDWARE

Check that all hardware is tightened including all brackets, load bars, and mounting locations.

TIGHTEN ALL HARDWARE AFTER EVERYTHING IS INSTALLED ON THE VEHICLE.

CHECK AND RETIGHTEN ALL HARDWARE AFTER THE FIRST 100 MILES AND AFTER OFF ROADING.

CHECK REGULARLY