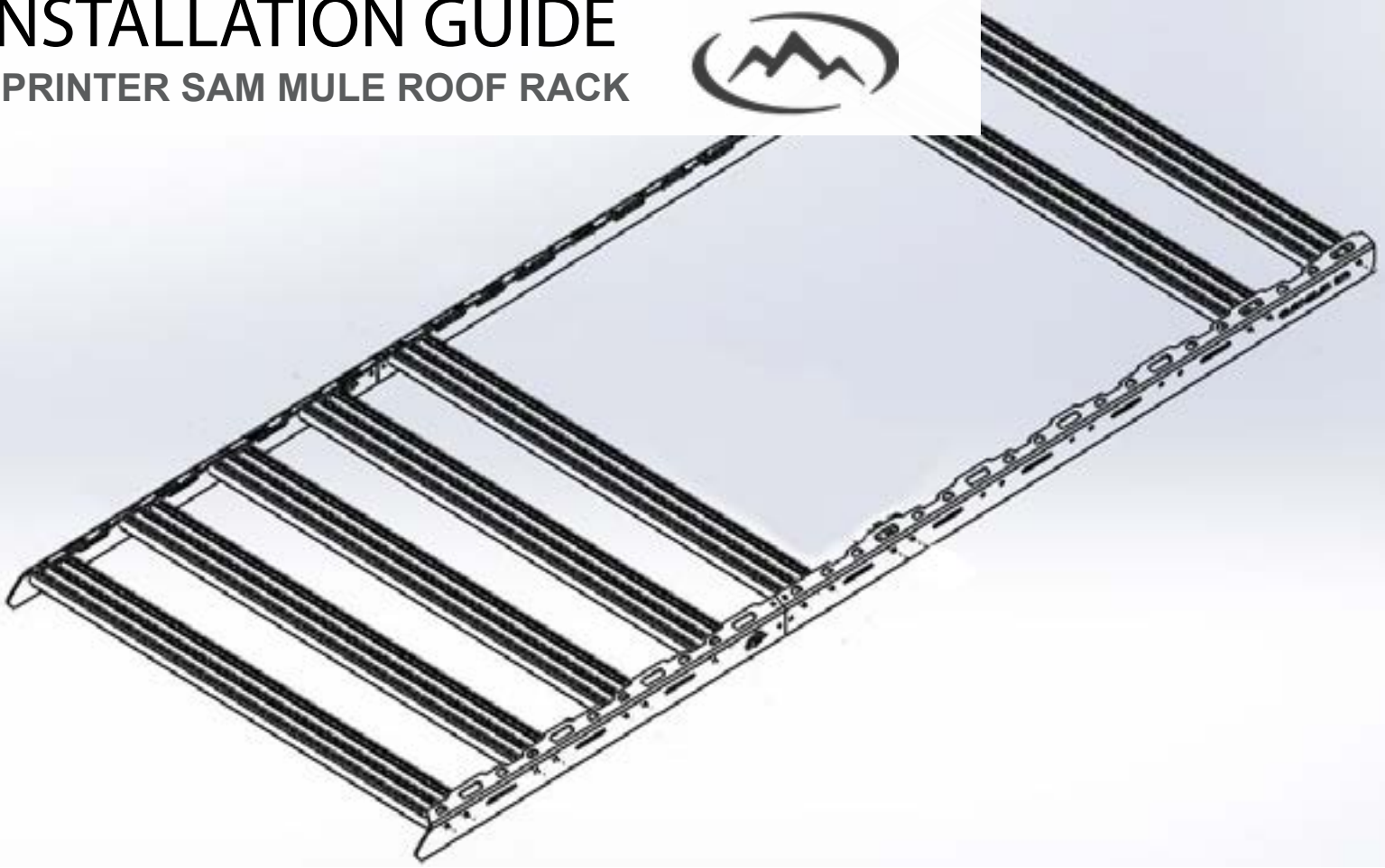


INSTALLATION GUIDE

SPRINTER SAM MULE ROOF RACK



CONTENTS

HARDWARE

ITEM	QTY
Front Fascia	2
Rear Fascia	2
Roof Mount	6 / 8
Rear Roof Mount	2
Mount Spacer	8 / 10
Load Bars	7 / 11
5/16"-18 X 3/4" Button Head Bolts	28 / 44
5/16"-18 X 3/4" Carriage Bolts	32 / 40
5/16"-18 Nyloc Nuts	32 / 40
5/16 USS Washers	32 / 40
3/8"-16 X 3/4" Button Head Bolts	8 / 16
3/8"-16 Nyloc Nut	8 / 16
3/8" USS Washer	8 / 16

OPTIONAL FRONT AIR DAM

5/16"-18 X 1" Carriage Bolt	2
5/16" -18 Nyloc Nut	2
5/16" USS Washer	2
Weather Stripping - 63"	1

SKILL LEVEL - 3 STARS



1 STAR

EASY - No tools required

2 STARS

BASIC - Requires standard tools, basic mechanical knowledge and understanding

3 STARS

MODERATE - Requires standard tools. Some drilling and/or cutting.

4 STARS

ADVANCED - Requires speciality tools. Drilling, cutting, and/or welding

5 STARS

EXPERT - Professional installation recommended.

DISCLAIMER

Expedition One is not responsible for any damages to vehicle or injury.

We always recommend professional assistance when installing our vehicle products.

Always follow safety precautions including the use of safety gear and devices.

Check regularly that all bumper hardware tight and secure.

Maintain and service systems such as bearings or assemblies as recommended.

NOTE

Due to the nature of aluminum, rack pieces including fascia parts may require time to "relax" or return to shape before mounting.

Do not force parts into place. Leave all hardware loose before tightening to allow for adjustment.

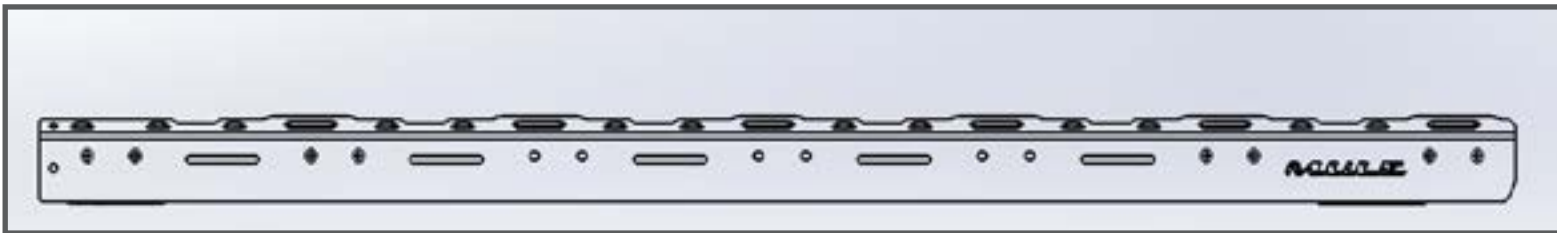
Exact load bar dimensions may vary due to the manufacturing process

RACK ASSEMBLY

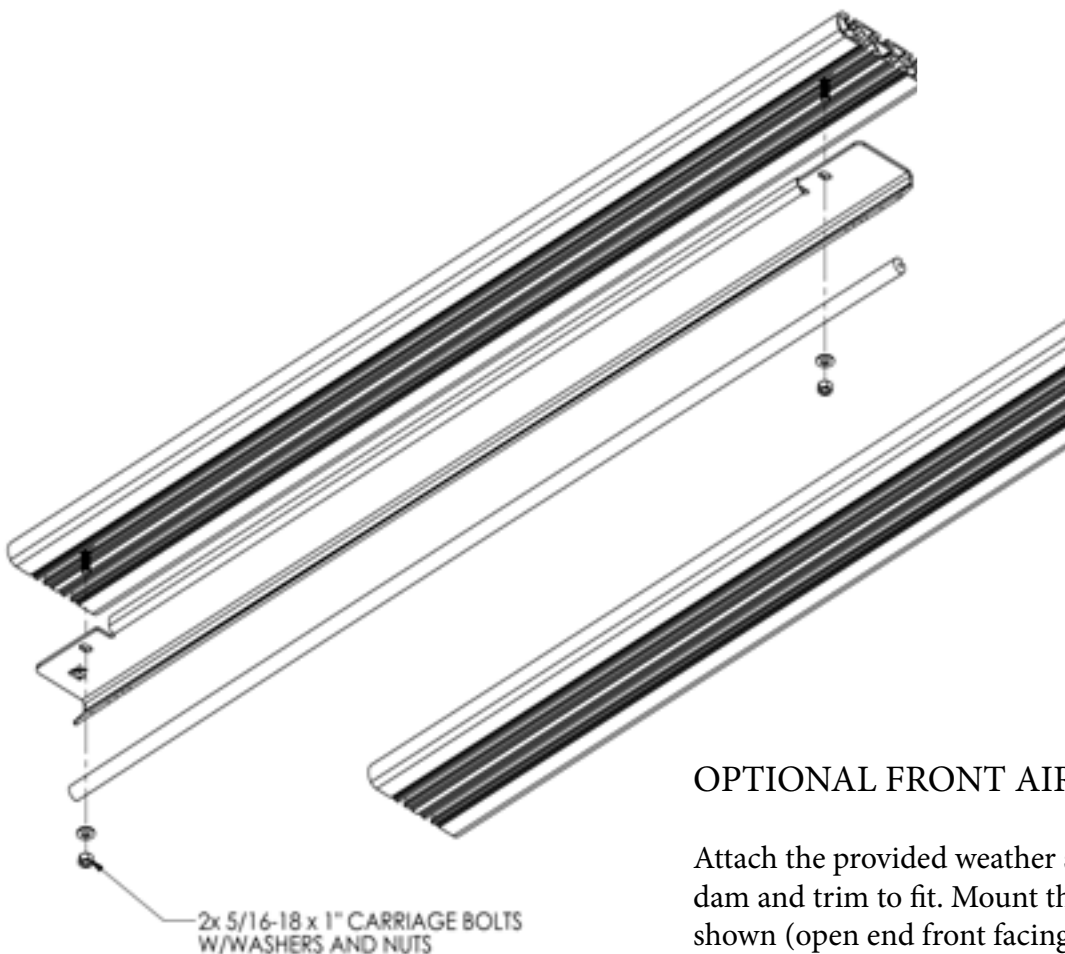
Assemble the rack as shown. Start by attaching each side fascia to the load bars. Repeat this step for the other side, and do not tighten hardware. Bar locations may vary depending on OEM roof options or other items. It is strongly recommended that the ends of each section have a load bar attached.



FRONT SECTION



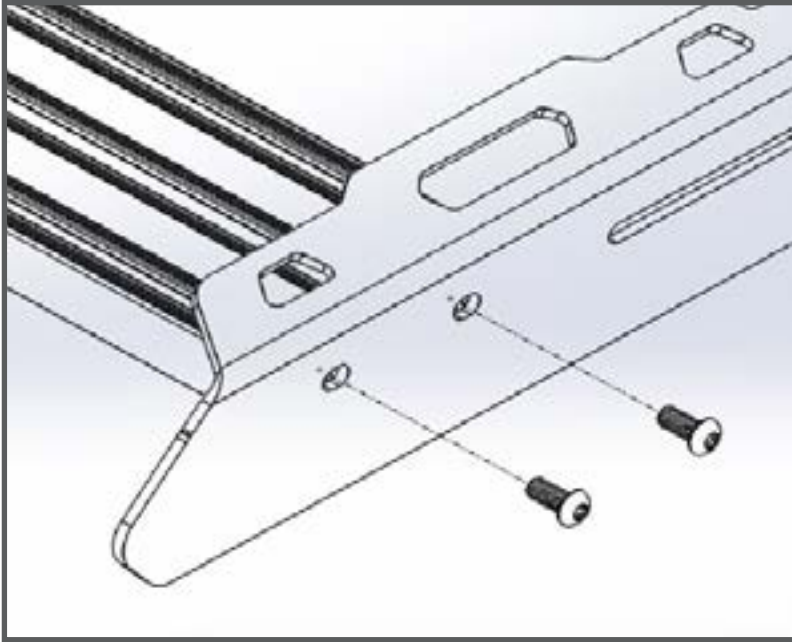
REAR SECTION



OPTIONAL FRONT AIR DAM

Attach the provided weather striping to the underside of the air dam and trim to fit. Mount the air dam to the front load bar as shown (open end front facing) during assembly of the roof rack using the 5/16" hardware.

RACK ASSEMBLY CONT.

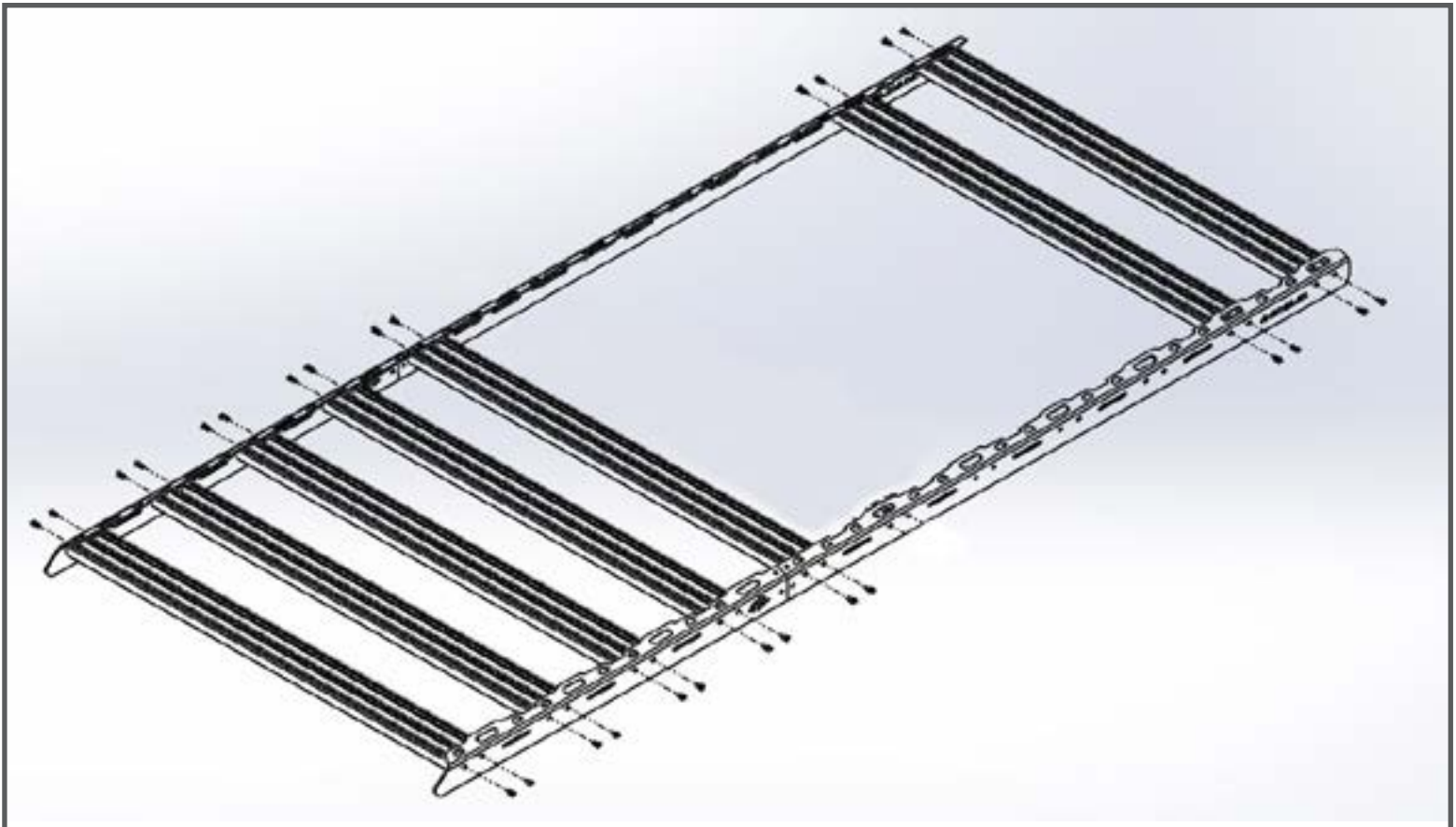


LOAD BAR MOUNTING HARDWARE

5/16" - 18 X 3/4" Button Head Bolts

144 RACK - 32

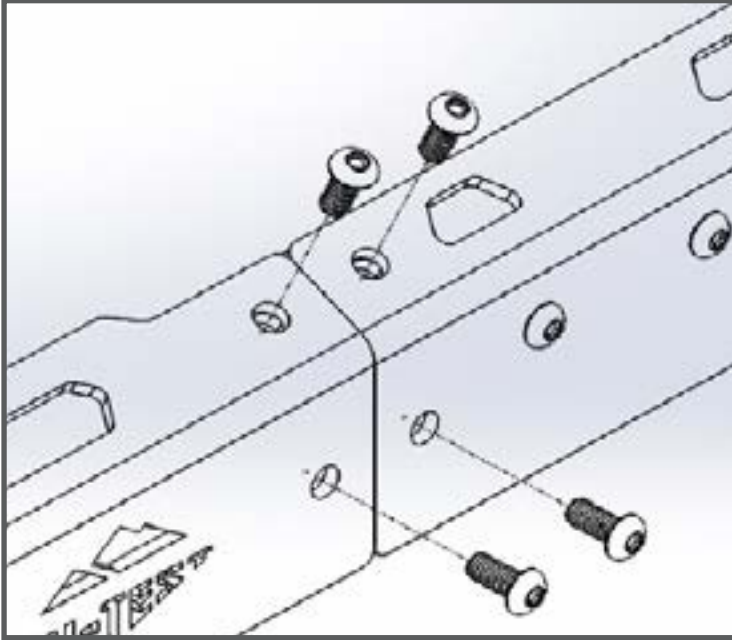
170 RACK - 40



DISPLAY ONLY - Bar locations may vary depending on OEM roof options or other items. It is strongly recommended that the ends of each section have a load bar attached.

RACK ASSEMBLY CONT.

Attach both ends (or insert ends on 170 models) together using the provided 3/8" hardware. The seam joiner brackets will mount to the inside of the fascia as shown below. Do not tighten hardware.



SEAM JOINER MOUNTING HARDWARE

Seam Joiner

144 RACK - 2

170 RACK - 4

3/8" - 16 X 3/4" Button Head Bolts

144 RACK - 8

170 RACK - 16

3/8" - 16 Nyloc Nuts

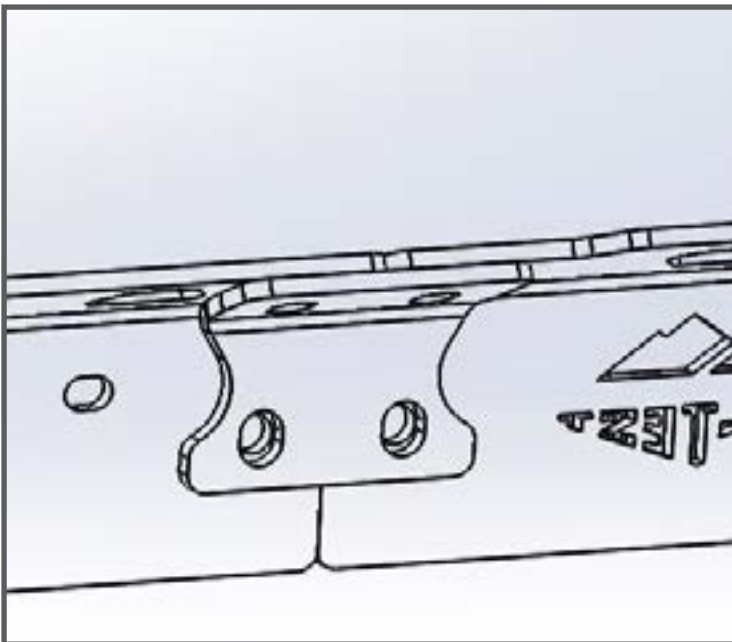
144 RACK - 8

170 RACK - 16

3/8" USS Washer

144 RACK - 8

170 RACK - 16

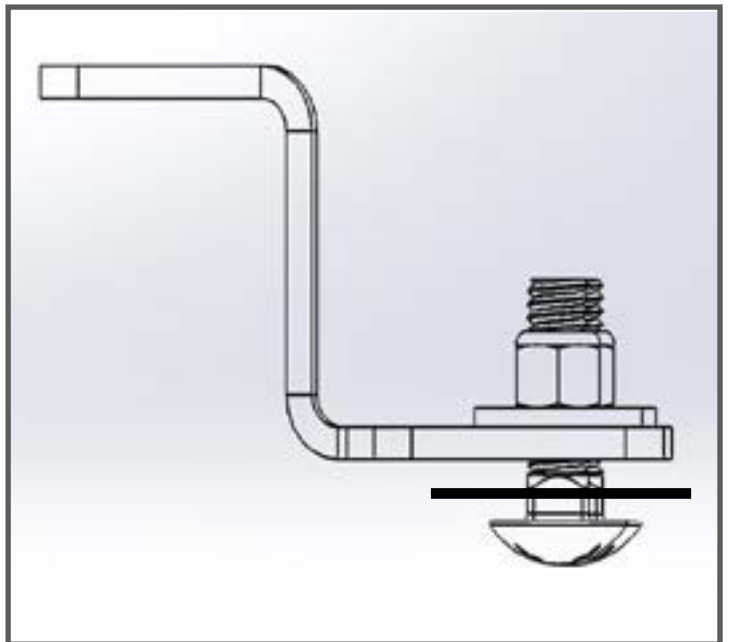
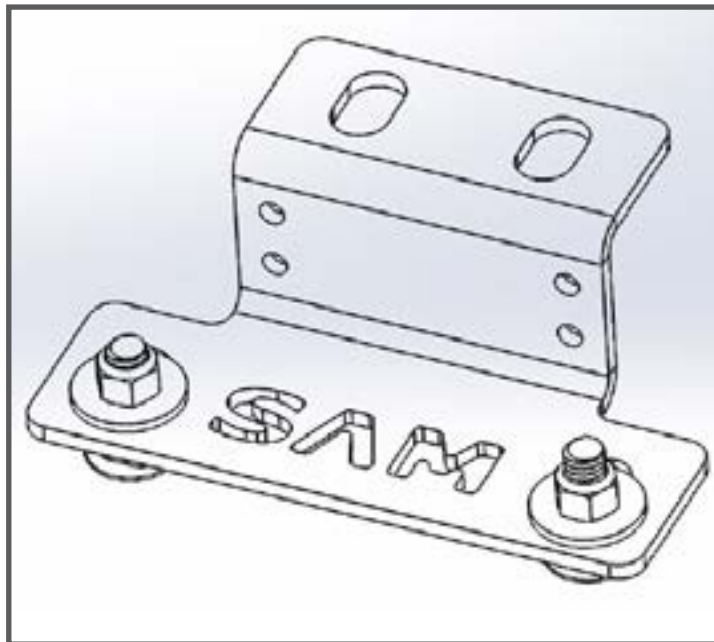


BRACKET MOUNTING

Slide the bottom aluminum spacer along with the provided 5/16" carriage bolts facing upwards. Mount the bracket on top using the remain 5/16" hardware. Do not tighten hardware to allow for adjustment when mount the rack to the brackets. Position the top ends facing the center of the vehicle.



DISPLAY ONLY - Different brackets shown for illustration purposes.



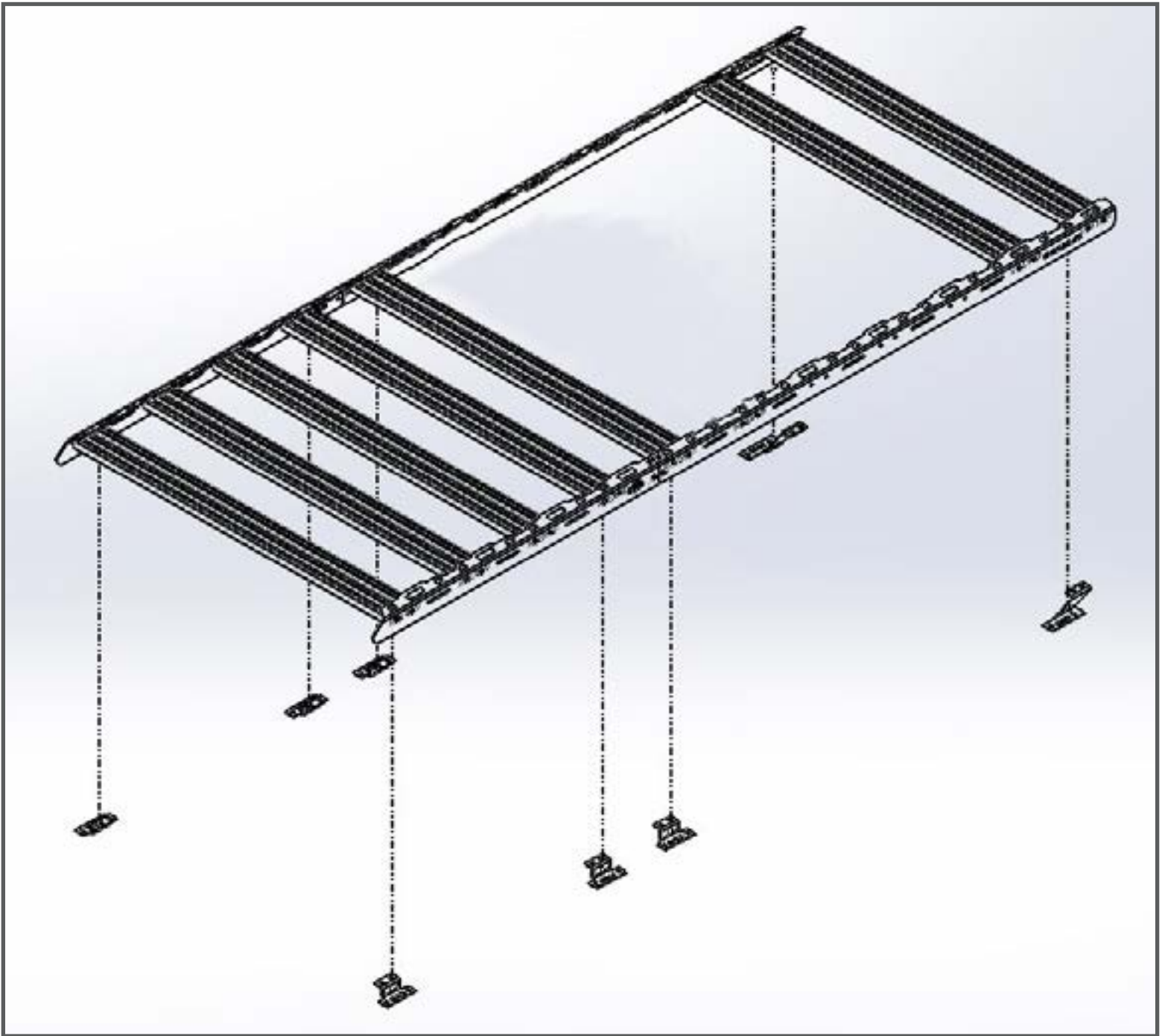
BRACKET MOUNTING HARDWARE

Mount Brackets and Spacers	5/16" - 18 X 3/4" Carriage Bolts	5/16" - 18 Nyloc Nuts	5/16" USS Washer
144 RACK - 8	144 RACK - 16	144 RACK - 16	144 RACK - 16
170 RACK - 10	170 RACK - 20	170 RACK - 20	170 RACK - 20

RACK MOUNTING

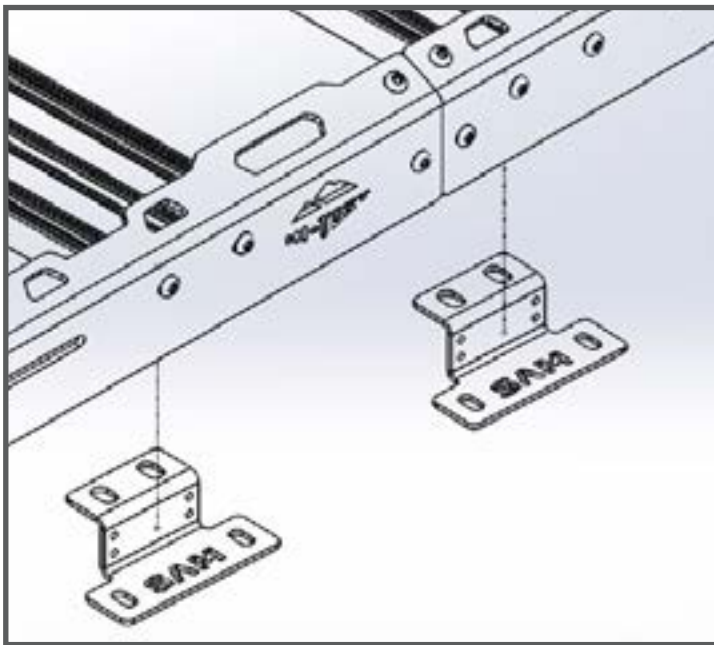
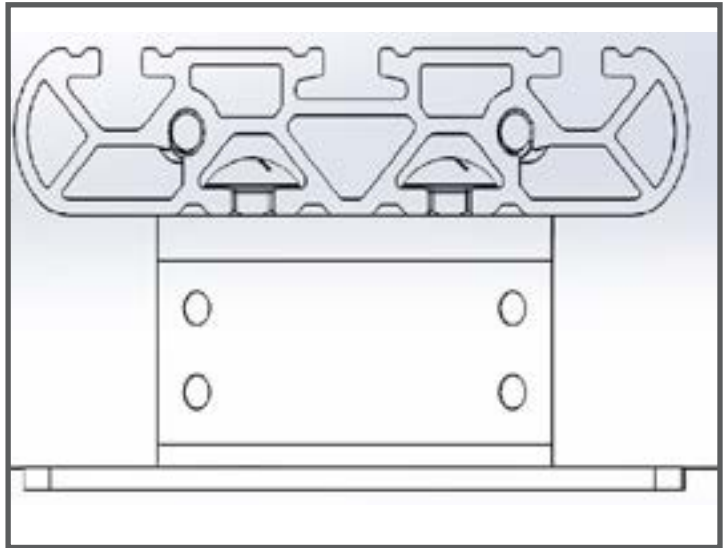
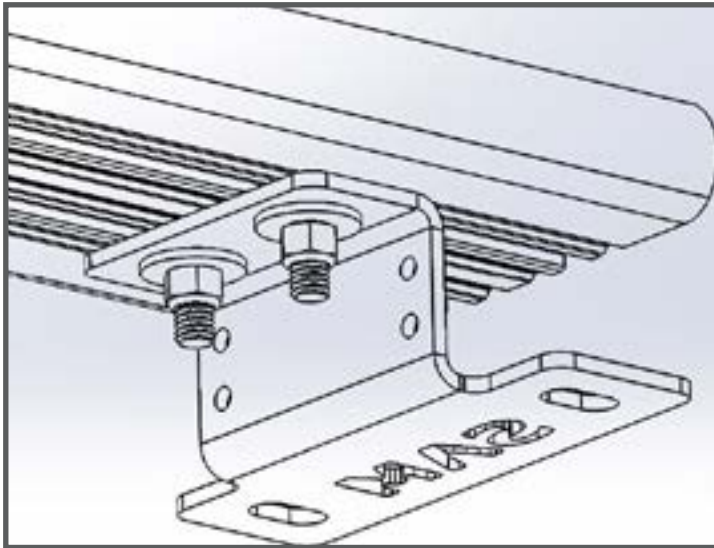
Mount the rack to the brackets as shown using the provided 5/16" hardware. Slide the provided carriage bolts into each rail and align with each bracket. It is strongly recommended that the ends of each section or insert have a bracket attached load bar. Do not tighten hardware until the rack is in place and adjusted/aligned.

TIGHTEN ALL HARDWARE ONCE COMPLETED

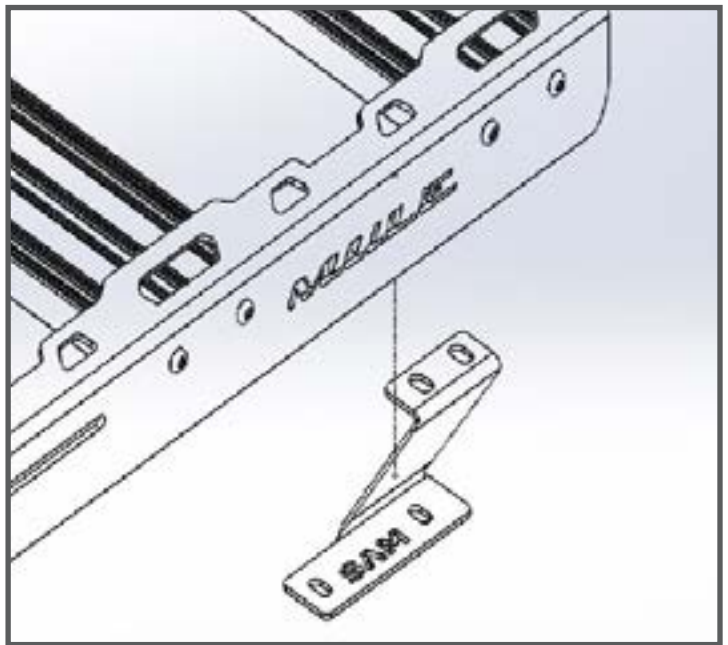


DISPLAY ONLY - Bar locations may vary depending on OEM roof options or other items. It is strongly recommended that the ends of each section have a load bar attached.

RACK MOUNTING CONT



SECTION ENDS



REAR BRACKETS

RACK MOUNTING HARDWARE

5/16" - 18 X 3/4" Carriage Bolts

144 RACK - 16

170 RACK - 20

5/16" - 18 Nyloc Nuts

144 RACK - 16

170 RACK - 20

5/16" USS Washer

144 RACK - 16

170 RACK - 20