

INSTALLATION MANUAL

Level of Difficulty

Easy

Installation difficulty levels are based on time and effort involved and may vary depending on the installer level of expertise, condition of the vehicle and proper tools and equipment.

Parts List

Qty	Description
1	Driver / left running board
1	Passenger / right running board
12	Hex bolt, M8
12	Flat washer, M8
12	Lock washer, M8

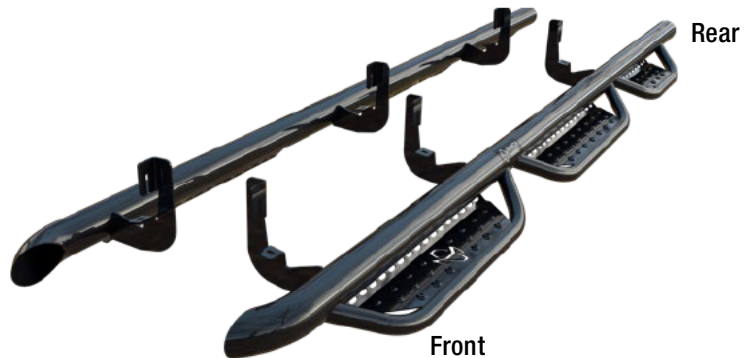
Tools Required

Socket, 1/2"	Torque wrench
Wrench, 1/2"	Pry tool

Torque Specifications

M8 bolt	30 ft-lbs.
Use above torque setting unless otherwise noted	

Product Photo



Product Photo



NOTICE

Visit www.ranchhand.com for a full-color copy of this instruction manual, as well as helpful videos, guides and much more!

Before you begin installation, read all instructions thoroughly.

Proper tools will improve the quality of installation and reduce the time required.

Periodic inspection of your product should be performed to ensure all hardware and / or components remain secure.

To help prevent damage to the product or vehicle, refer to the specified torque specifications when securing hardware during the installation process.

Maintenance

Mild automotive detergent may be used to clean the product. Do not use dish detergent, abrasive cleaners, abrasive pads, wire brushes or other similar products that may damage the finish.

Product Registration and Warranty

Ranch Hand stands behind our products with industry-leading warranties. To get copies of the product warranties, register your purchase or provide feedback, visit: warranty.curtgroup.com/surveys

Step 1

Starting on the driver side, locate the four mounting locations along the bottom edge of the vehicle.

Remove any factory thread plugs.

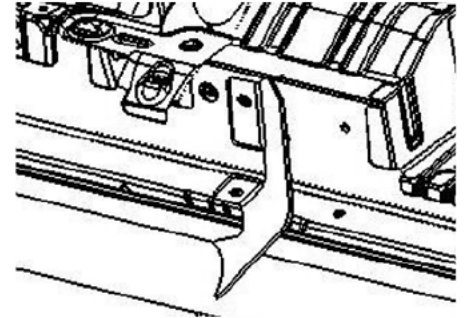
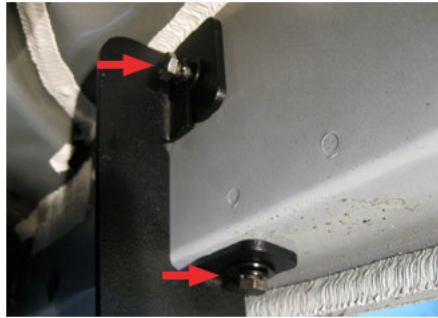


Step 2

Attach a mounting bracket at each location using an M8 flat washer, lock washer and hex bolt.

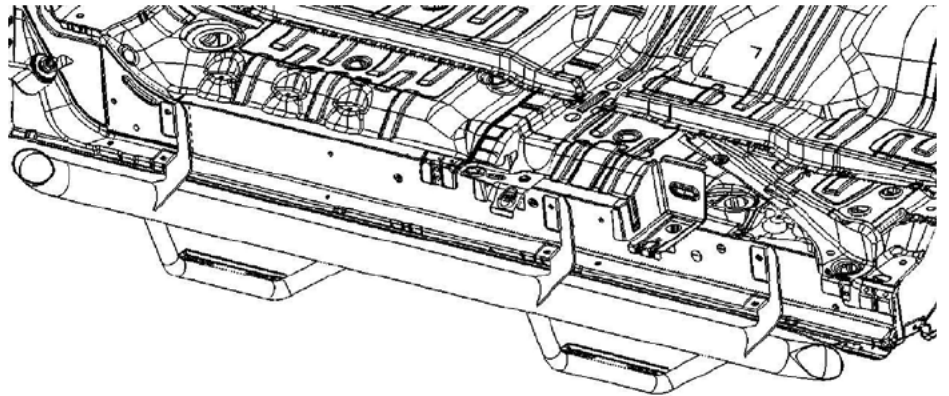
Snug the hardware, but do not fully tighten.

Note: Apply anti-seize to the hex bolts to prevent them from locking up.



Step 3

After final adjustment, tighten all hardware to 30 ft-lbs. Tighten the lower mounts first, followed by the upper mounts.



Step 4

Repeat steps 1 through 3 on the passenger side of the vehicle.

To protect your investment, see the 'Notes and Maintenance' section on page one.

Congratulations on the installation of your new Ranch Hand™ running steps.