

# RTS46JP

# 2007-2018 Jeep Wrangler 2 Door RTS46JP Installation Instructions

## Hardware Kit Includes Loose:

- (1) 8 – Hex head bolts (M8-1.25 x 20mm) Grade 8
- (2) 12 – Lock washers (M8) Grade 8
- (3) 12 – Flat washers (M8) Grade 8
- (4) 4 – Hex head nuts (M8-1.25) Grade 8
- (5) 8 – Button head bolts (M6-1.25) Grade 8
- (6) 16 – Flat washers (M6) Grade 8
- (7) 8 – Lock washers (M6) Grade 8
- (8) 8 – Hex head nuts (M6-1.25) Grade 8
- (9) 4 – M8 Plastic Push Nuts

## Components List:

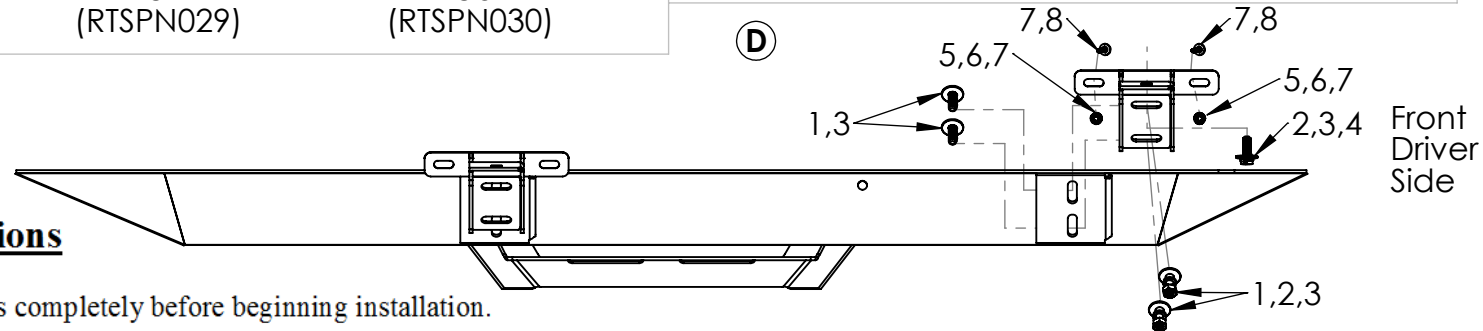
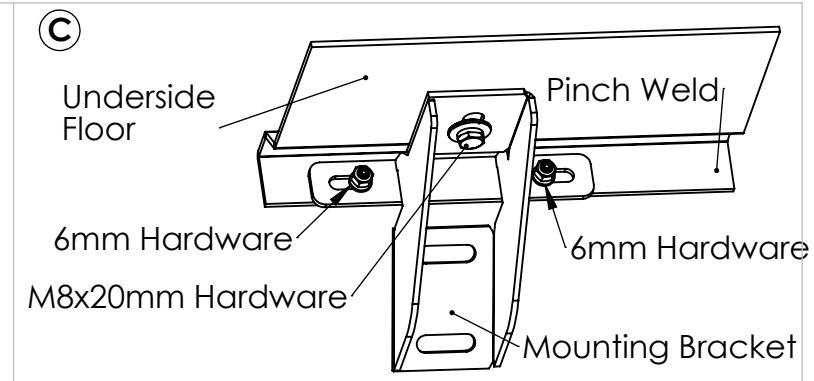
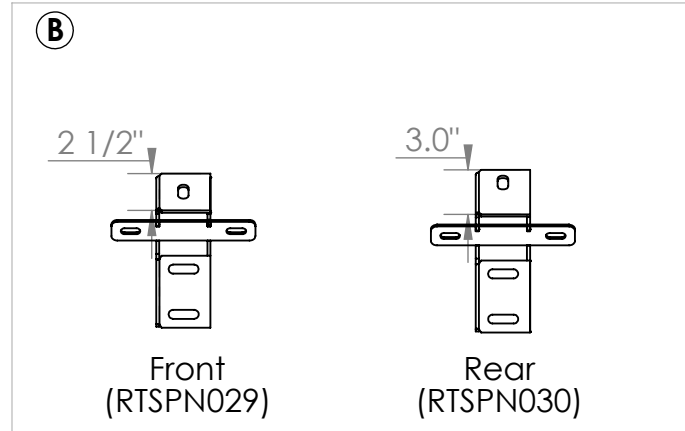
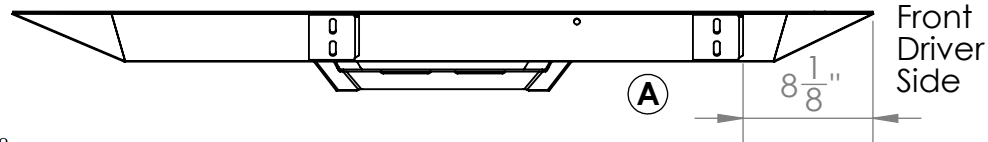
- (1) 2 – 1 Driver/1 Passenger RT Steps
- (2) 2 – Front Mounting Brackets (RTSPN029)
- (3) 2 – Rear Mounting Brackets (RTSPN030)
- (4) 4 – M8 RT Step T Bolt (RTSPN175)

**LOOSE FIT ALL COMPONENTS.  
DO NOT TIGHTEN UNTIL ALL  
COMPONENTS ARE INSTALLED  
AND ADJUSTED.**

**DISCLAIMER: USE ONLY  
COMPONENTS AND HARDWARE  
SUPPLIED BY ICI.  
NO SUBSTITUTIONS.**

## Step by Step Installation Instructions

- STEP 1:** Read and understand instructions completely before beginning installation.
- STEP 2:** Remove all old steps and hardware from Jeep.
- STEP 3:** Locate the driver's side step (center of front inside mount is 8 1/8" to front of bar, see figure A). Each step uses 2 mounting brackets; front (RTSPN029) and rear (RTSPN030). Locate and identify brackets (see figure B).
- STEP 4:** There are 4 holes in the pinch weld of the Jeep, using the provided 6mm hardware (button head bolts, flat washers, lock washers, and nuts) loose fit the mounting brackets to these holes in their corresponding locations (front and rear). Once the brackets are loosely fit, use the provided 8mm hardware (20mm hex head bolts, flat washers and lock washers) to attach the mounting brackets to the underside floor (see diagram C). NOTE: shorter 8mm bolts go into the underside floor.
- STEP 5:** Once all 4 brackets are loose fit to the truck, mount the RT Step to the brackets using provided 8mmx30mm hex head bolts, 2 flat washers per bolt, lock washers and nuts (See figure D).
- STEP 7:** Once RT Step is loose fit, tighten brackets to inside rocker (**DO NOT USE IMPACT TOOLS**). Next, adjust bar up/down and front/back then tighten step to brackets. Repeat for passenger side.

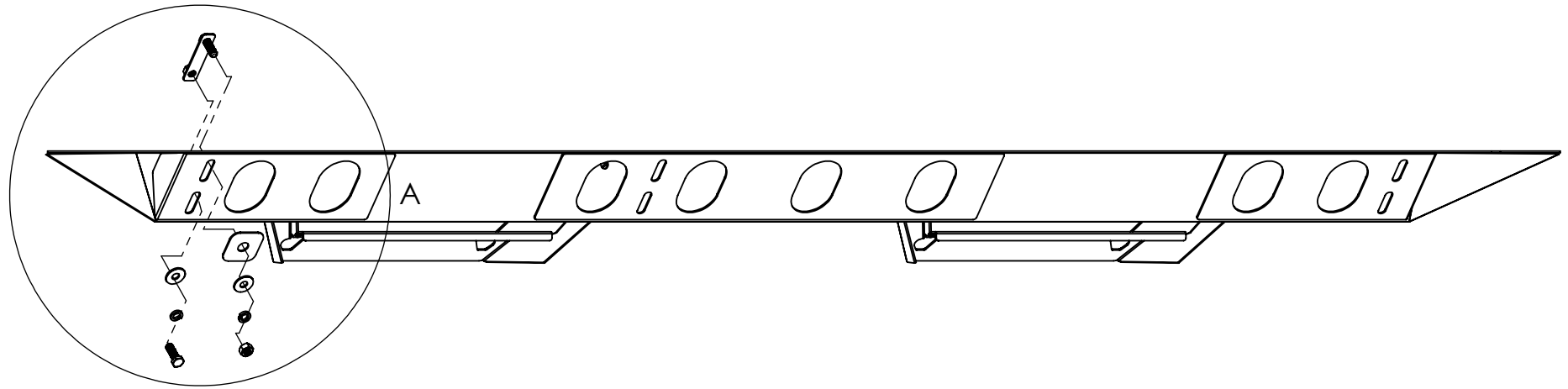


ATTN: STATE OF CALIFORNIA CONSUMERS  
**WARNING: CANCER AND REPRODUCTIVE HARM**  
-WWW.P65WARNINGS.CA.GOV

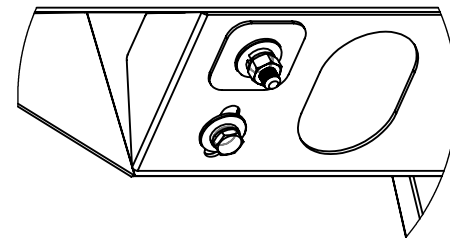
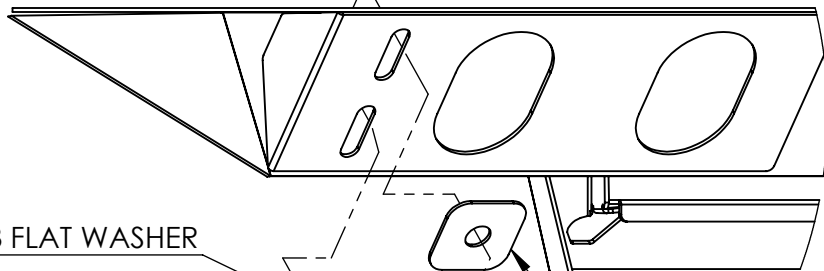
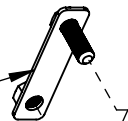
# RT STEPS & WHEEL TO WHEEL RT STEPS

04/27/18

ALL MAKES/MODELS OF RT STEPS & W2W RT STEPS (USING RTSPN175 T-BOLT)



RTSPN175 - M8 RT STEP  
MOUNTING T-BOLT



M8 FLAT WASHER

M8 LOCK WASHER

M8-1.25 x 20MM  
HEX HEAD BOLT



M8 PLASTIC PUSH NUT

M8 FLAT WASHER

M8 LOCK WASHER

M8-1.25 HEX HEAD NUT