



Protecting Your Adventure Lifestyle

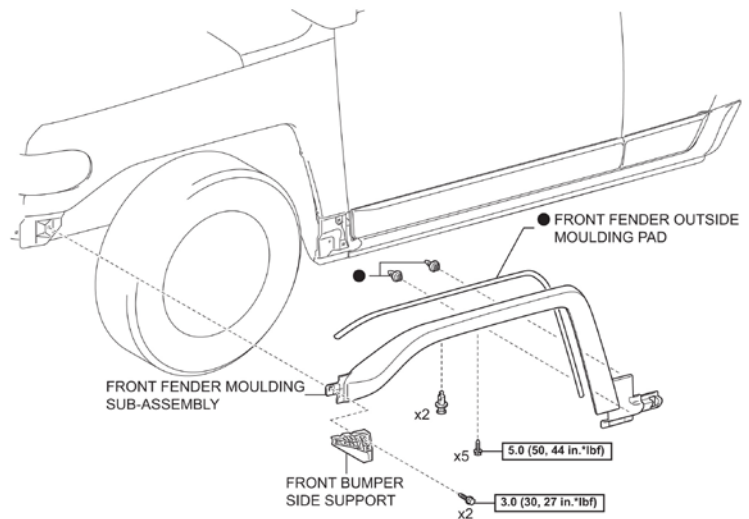
Warrior Products, Inc.
11100 SW Industrial Way
Tualatin, OR 97062

Phone (888) 220-6861
Fax (503) 692-0364
customerservice@warriorproducts.com

SUBJECT: *Installation Instructions, S3001 FJ Cruiser Front Flares*

Before you begin this installation, you will need a few basic supplies. Only basic hand tools are required, and you will need some protective tape such as blue painter's tape. A molding removal tool may make some of this installation a bit easier. You will also need some form of jigsaw to trim the side molding piece to fit around your new flares. Also, be aware that you may damage your retainer clips during removal of these outer molding pieces, so you may need replacements from your local dealership.

1. Your first step will be to remove the factory flare and mud guard. This figure shows you the attachment points. You will notice that the front most attachment point is behind the front bumper cover. You can choose to remove the front bumper to access this, or you can choose to cut the flare free just behind that attachment point. This will depend on if you're looking to save your factory flares for re-use later.
2. Your new flare will attach to the vertical holes in the lip that are on the underside of the fender. Make sure these holes are clear of any plastic clips that may have not come out during removal.
3. Check your inner fender liner. It may be easier to remove this to install the flares, as you need to be able to get washers and nuts to the top side of the mount holes. If you feel you can access those areas with the inner liner installed, you can skip removal.
4. Now loosely bolt your steel flare into place using the supplied hardware. For now, one bolt on each end and one in the middle should do. We are just mocking it into place and you will be removing it again, so it is not necessary to put every bolt in place.
5. With the flare in place, use your protective tape to create an outline of the top edge of the flare on the vehicles fender. This is going to be your reference line onto which you will install the supplied P-shaped trim.
6. With the tape outline in place, remove the flare and locate your P-Trim. The trim will install to the fender with the top of the P directly under the edge of your tape line. You may need to make some pie cuts in the flat part of the P in order to help turn the corners as the flare turns down the side.
7. With the P-Trim in place, you can now bolt your flare into place. Start by bolting it in loosely and put inward pressure on the flare as you tighten.
8. If you've removed your inner liner, you can replace it now.
9. The last step of this process is to replace the small piece of plastic side molding that removed with the flare. To fit this, you will simply need to cut and trim until it fits back into place.



For more information on other accessories for your FJ Cruiser, visit us online at www.warriorproducts.com