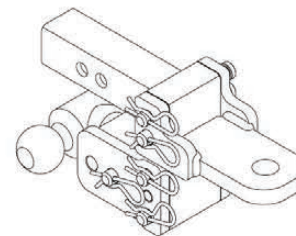
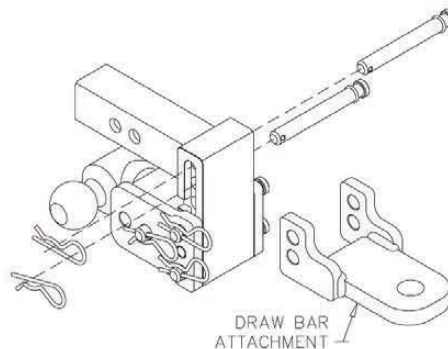
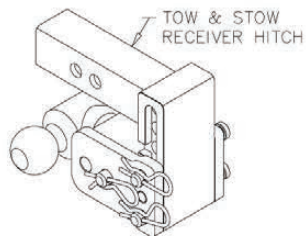




Tow & Stow™ Draw Bar Attachment Installation Instructions



STEP 1:
PUT TOW & STOW RECEIVER
HITCH INTO "STOW"
POSITION.

STEP 2:
POSITION DRAW BAR
ATTACHMENT AS SHOWN AND
ALIGN IT WITH TWO HOLES IN
THE RECEIVER HITCH.

STEP 3:
ATTACH DRAW BAR TO HITCH
WITH BOTH PINS PROVIDED
AND SECURE THE PINS WITH
THE INCLUDED HAIR PINS.

WARNING:

- Draw Bar Attachment is to be used with the Tow & Stow Receiver Hitch ONLY.
- Draw Bar Attachment is NOT intended to be used as a ball mount.
- BOTH PINS must be in place before towing with the Draw Bar Attachment.
- DO NOT EXCEED vehicle or hitch tow rating.